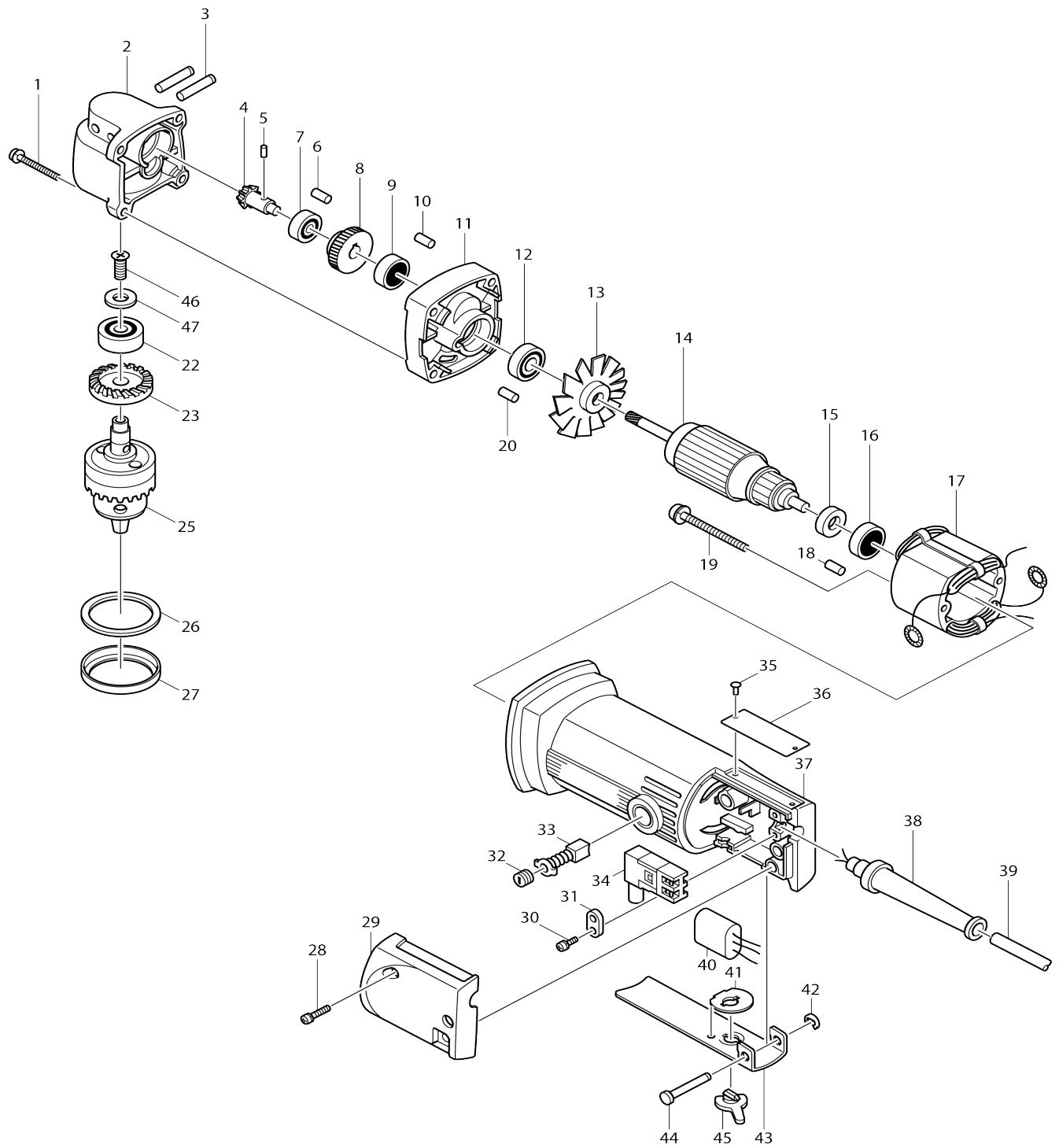


Model No.DA3000 ANGLE DRILL 10MM



Model No.DA3000 ANGLE DRILL 10MM

Item No.	Parts No.	Description	Interchangability	Q'ty	New/Old	Note1	Note2
001	911161-0	PAN HEAD SCREW M4X35		4			
002-2	159272-5	GEAR HOUSING		1			
003-3	256745-0	PIN 4		2			
004	221342-1	SPIRAL BEVEL GEAR 10		1	*		
004-1	226751-9	SPIRAL BEVEL GEAR 7	S	1			
005	256014-9	PIN 3		1			
006	263002-9	RUBBER PIN 4		1			
007	211051-0	BALL BEARING 609LLB		1			
008	221682-7	HELICAL GEAR 32		1			
009	211014-6	BALL BEARING 606		1			
010	263002-9	RUBBER PIN 4		1			
011	156951-6	GEAR HOUSING COVER		1			
D10		INC. 10,20					
012	211033-2	BALL BEARING 608LB		1			
013	241081-7	FAN 58		1			
014C_	511423-2	ARMATURE ASS'Y 220V		1	*		
D10		INC. 12,13,15,16					
014C1	511818-9	ARMATURE ASS'Y 220V	O	1			
D10		INC. 12,13,15,16					
015	681614-0	INSULATION WASHER		1			
016	211028-5	BALL BEARING 627LB		1			
017E_	528087-5	FIELD ASS'Y 220V		1	*		
C10	654018-9	RING TERMINAL		1	*		
C20	654501-6	CONNECTOR P-1.25		1	*		
017E1	528623-7	FIELD ASS'Y 220V	O	1			
C10	654018-9	RING TERMINAL		1			
C20	654501-6	CONNECTOR P-1.25		1			
018	263002-9	RUBBER PIN 4		1			
019-1	265891-8	TAPPING SCREW BT 4X55		2			
020	263002-9	RUBBER PIN 4		1			
022	211051-0	BALL BEARING 609LLB		1			
023	221343-9	SPIRAL BEVEL GEAR 36		1	*		
023-1	226752-7	SPIRAL BEVEL GEAR 24	S	1			
024	256023-8	PIN 5		1	*		
025-2	192881-7	DRILL CHUCK		1	*		
025-3	193442-6	DRILL CHUCK	X	1			
026	443049-1	FELT RING 38		1			
027	286216-3	CAP 46		1			
028	911158-9	PAN HEAD SCREW M4X30		2			
029A_	411981-7	SWITCH COVER		1			
030-1	911133-5	PAN HEAD SCREW M4X18		2			
031	687001-1	STRAIN RELIEF		1			
032	643550-8	BRUSH HOLDER CAP 5-8		2			
033B_	181501-8	A.C. CARBON BRUSH CB-61		1			
033D_	191628-6	CARBON BRUSH CB-65		1	*		
033D1	194969-9	CARBON BRUSH SET CB-65	O	1			
034B_	651821-9	SWITCH ZGM-54		1			

035	953106-2	RIVET 0-5		2		
036	815675-0	NAME PLATE DA3000		1		
037-1	157720-8	MOTOR HOUSING		1		
C10	643557-4	BRUSH HOLDER 5-8		2		
D10		INC. 18				
038	682500-8	CORD GUARD 8.5-72		1		
039M 1	666053-5	POWER SUPPLY CORD 1.0-2-2.0		1		
040B1	645169-9	NOISE SUPPRESSOR		1	*	
040B2	645209-3	NOISE SUPPRESSOR	O	1		
041	232062-2	LEAF SPRING		1		
042	961017-7	STOP RING E-3		1		
043B_	341858-1	SWITCH LEVER		1		
044	256626-8	PIN 4		1		
045	411784-9	SAFETY LOCK		1		
046	251304-5	+ COUNTERSUNK HEAD SCREW M4X12		1		
047-1	253969-9	WASHER 4		1		
400C_	763414-1	CHUCK KEY S10		1		
401	411780-7	KEY HOLDER 10		1		
900	231322-9	COMPRESSION SPRING 3		1		
901	341930-9	LOCK LEVER		1		

Please state Parts No. when your order.

Print Date 10/18/2023