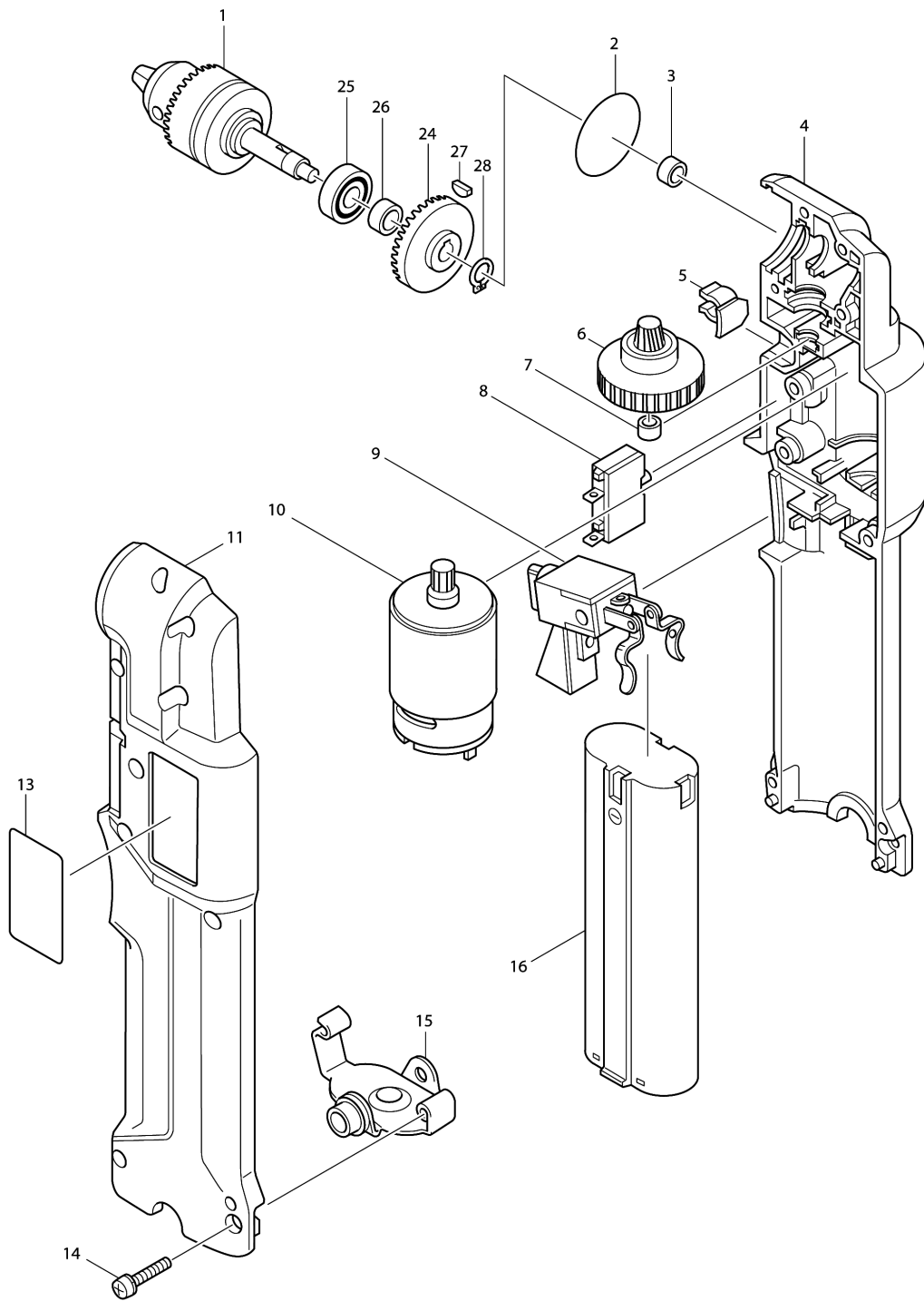


Model No.DA3000D CORDLESS ANGLE DRILL 10MM



Model No.DA3000D CORDLESS ANGLE DRILL 10MM

Item	Parts No.	Description	I/C	Qty	New/Old	Opt. 1	Opt. 2	Note
001-2	192885-9	DRILL CHUCK		1				
002	213458-6	O RING 34		1				
003	214017-9	PLANE BEARING 5		1				
004A3	182382-3	HOUSING SET		1				
C10	816266-0	INDICATION LABEL		1				
D10		INC. 11						
005	411640-3	HOLDER 6		1				
006	153153-5	GEAR COMPLETE		1	*			
006-1	153234-5	GEAR COMPLETE	X	1				
007	214019-5	PLANE BEARING 4		1				
008	652532-9	OVER CURRENT RELAY BC51		1				
009-1	531027-4	SWITCH ASS'Y TG9A		1	*			
009-2	531043-6	SWITCH ASS'Y TG60A	O	1				
010	629514-6	DC MOTOR 7.2V		1	*			
C10	221851-0	SPUR GEAR 11		1	*			
010-1	629801-3	DC MOTOR 7.2V	X	1				
C10	221851-0	SPUR GEAR 11		1				
011A3	182382-3	HOUSING SET		1				
C10	816266-0	INDICATION LABEL		1				
D10		INC. 4						
013	855062-1	NAME PLATE DA3000D		1				
014	911143-2	PAN HEAD SCREW M4X22		9				
015	163157-9	SET PLATE		1	*			
015-1	342833-0	SET PLATE	O	1				
016-1	191679-9	BATTERY 7000 SET	O	1				
024	221384-5	SPIRAL BEVEL GEAR 36		1	*			
024-1	221387-9	SPIRAL BEVEL GEAR 36	X	1				
025	211031-6	BALL BEARING 608LLB		1				
026	257106-7	RING 8		1				
027	254031-3	WOODRUFF KEY 3		1				
028	961004-6	RETAINING RING S-8		1				
400	763415-9	CHUCK KEY S10		1				
401-2	182647-3	STEEL CARRYING CASE		1	*			
C10	819033-2	MAKITA LABEL		1	*			
401-3	824627-0	PLASTIC CARRYING CASE	O	1				
C10	819143-5	MAKITA LABEL		1				
C20	186347-7	SLIDE LATCH SET		1				
402	414938-7	BATTERY COVER		1				

Please order the parts with part number.

Print Date 18/10/2023