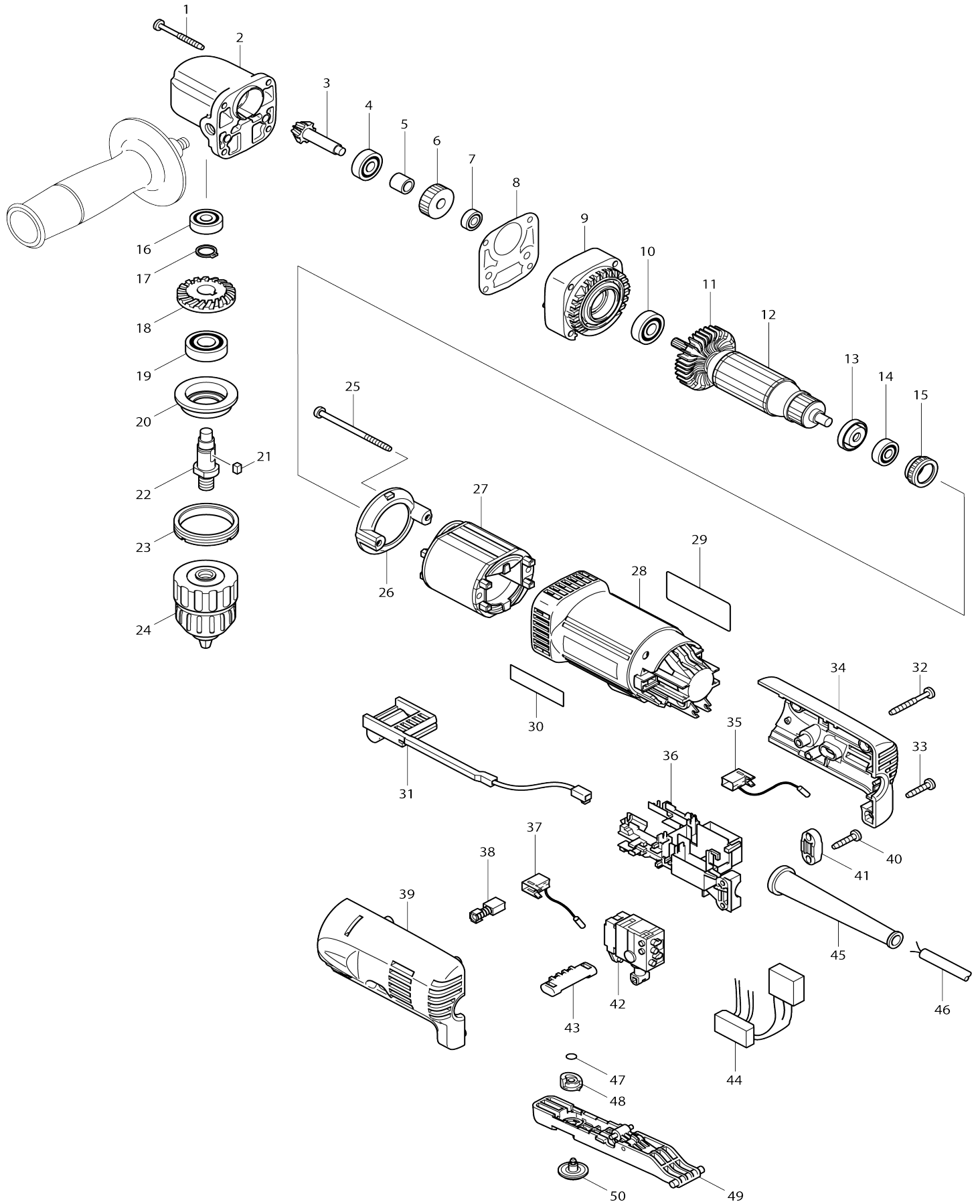


# Model No.DA3011F ANGLE DRILL 10MM



Model No.DA3011F ANGLE DRILL 10MM

Item No.	Parts No.	Description	Interchangability	Q'ty	New/Old	Note1	Note2
001	266048-4	TAPPING SCREW 4X40		4			
002	317634-5	GEAR HOUSING		1			
003	227435-2	Spiral bevel gear 9		1			
004	211031-6	BALL BEARING 608LLB		1	*		
004-1	210029-0	BALL BEARING 608ZZ	O	1			
005	257726-7	Sleeve 8		1			
006	226567-2	HELICAL GEAR 28		1			
007	210026-6	BALL BEARING 696ZZ		1			
008	418036-9	GASKET		1			
009	418042-4	GEAR HOUSING COVER		1			
010	211051-0	BALL BEARING 609LLB		1			
011	240061-0	FAN 48		1			
012	517583-8	ARMATURE ASS'Y 220-240V		1			
D10		INC. 10,11,13,14					
013	681636-0	INSULATION WASHER		1			
014	211021-9	BALL BEARING 607LLB		1			
015	421494-0	RUBBER RING 19		1			
016	211031-6	BALL BEARING 608LLB		1	*		
016-1	210029-0	BALL BEARING 608ZZ	O	1			
017	961052-5	RETAINING RING (EXT) S-12		1			
018	227434-4	Spiral bevel gear 26		1			
019	211131-2	BALL BEARING 6001DDW		1			
020	317633-7	BEARING BOX		1			
021	254201-4	KEY 4		1			
022	324329-3	SPINDLE		1			
023	285842-5	BEARING RETAINER 36-43		1			
024	763132-1	KEYLESS DRILL CHUCK 10		1			
025	266315-7	TAPPING SCREW MT 4X65		2			
026	418033-5	BAFFLE PLATE		1			
027	635078-0	FIELD		1			
028	183560-8	MOTOR HOUSING		1			
D10		INC. 30					
029	850090-1	Name plate DA3011F		1			
030	819063-3	MAKITA LABEL		1			
031	631516-0	LED CIRCUIT		1			
032	266053-1	TAPPING SCREW 4X35		1			
033	265995-6	TAPPING SCREW 4X18		3			
034	183559-3	REAR COVER SET		1			
D10		INC. 39					
035	643801-9	BRUSH HOLDER		1			
036	687139-2	SUPPORT		1			
037	643801-9	BRUSH HOLDER		1			
038	191962-4	CARBON BRUSH CB-419		1			
039	183559-3	REAR COVER SET		1			
D10		INC. 34					
040	265995-6	TAPPING SCREW 4X18		2			
041	687052-4	STRAIN RELIEF		1			

042	650539-9	SWITCH TG803BSA-1		1		
043	418038-5	F/R CHANGE LEVER		1		
044	631527-5	POWER SUPPLY CIRCUIT		1		
045	682559-5	CORD GUARD 8		1		
046	665394-6	POWER SUPPLY CORD 1.0-2-2.5		1		
047	213034-6	O RING 3		1		
048	418040-8	CAM		1		
049	153477-9	SWITCH LEVER COMPLETE		1		
050	418037-7	SPEED CHANGE DIAL		1		
A01	152490-4	GRIP 36 COMPLETE		1		
A02	821549-5	CONNECTOR PLASTIC CASE (TYP E1)		1		
C10	453974-8	LATCH		4		
A03	803L25-3	Indication label DA3011FJ		1		
A04	803L26-1	Plastic case label DA3011FJ		2		
A05	837880-9	INNER TRAY		1		

Please state Parts No. when your order.

Print Date 10/18/2023