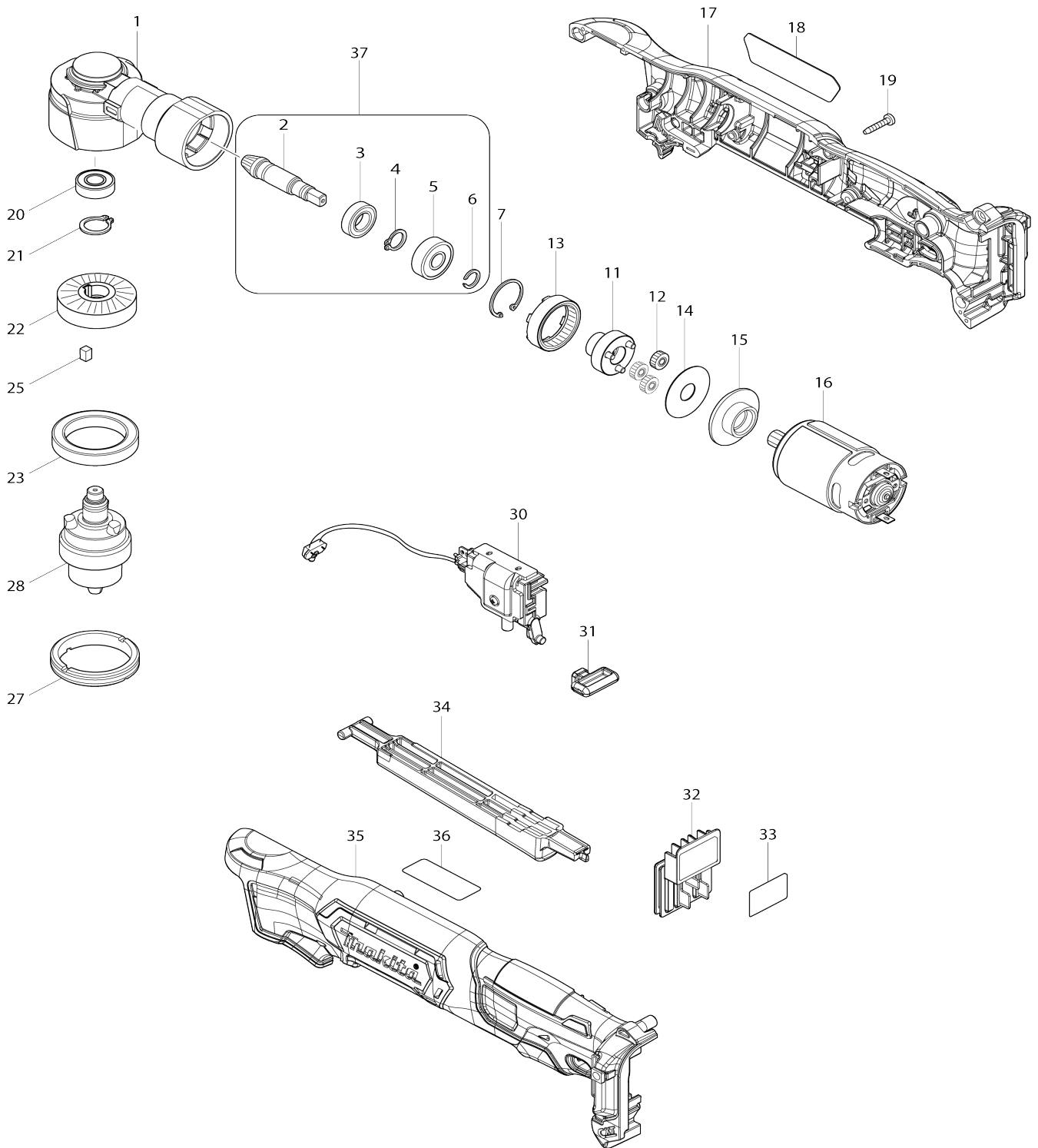


Model No.DA332D 10MM CORDLESS ANGLE DRILL



Model No.DA332D 10MM CORDLESS ANGLE DRILL

Item No.	Parts No.	Description	Interchangability	Q'ty	New/Old	Note1	Note2
001	319634-1	GEAR HOUSING		1			
002	221570-8	SPIRAL BEVEL GEAR 6		1	*		
002-1	226195-3	SPIRAL BEVEL GEAR 6	S	1			
003	210171-7	BALL BEARING 6800ZZ		1			
004	961006-2	RETAINING RING S-10		1			
005	210029-0	BALL BEARING 608ZZ		1			
006	961034-7	RETAINING RING		1			
007	962102-9	RETAINING RING R-22		1			
011	144701-1	CARRIER COMPLETE		1			
012	221572-4	SPUR GEAR 17		3			
013	221569-3	INTERNAL GEAR 48		1			
014	253396-0	FLAT WASHER 10		1			
015	457972-4	MOTOR BRACKET		1			
016	629291-0	DC MOTOR		1			
017	183H38-9	HOUSING SET		1			
C10	252126-6	HEX. LOCK NUT M4-7		2			
D10		INC. 35					
018	853T57-8	DA332D NAME PLATE		1	*		
018-1	853T44-7	DA332D NAME PLATE	<	1			
019	266130-9	TAPPING SCREW BIND PT 3X16		9			
020	211166-3	BALL BEARING 698DDW		1			
021	961052-5	RETAINING RING (EXT) S-12		1			
022	227601-1	SPIRAL BEVEL GEAR 31		1			
023	211423-9	BALL BEARING 6806DDW		1			
025	254201-4	KEY 4		1			
027	285842-5	BEARING RETAINER 36-43		1			
028	763245-8	DRILL CHUCK S10		1			
030	651097-8	SWITCH C3HW-3A-PLF5MS-W		1			
031	450126-2	FR CHANGE LEVER		1			
032	644813-5	TERMINAL		1			
033	853T61-7	DA332D SERIAL NO. LABEL		1			
034	457973-2	SWITCH LEVER		1			
035	183H38-9	HOUSING SET		1			
C10	252126-6	HEX. LOCK NUT M4-7		2			
D10		INC. 17					
037	135922-6	GEAR ASSEMBLY		1	*		
D10		INC. 2-6					
037-1	135922-6	GEAR ASSEMBLY	O	1	*		
D10		INC. 2-6,38					
037-2	135977-1	GEAR ASSY	O	1			
D10		INC. 2-6					
038	253310-6	THIN WASHER 10		1	*		
A01	784244-7	+ BIT 2-50		1			
A02	346909-5	HOOK		1			
A03	251314-2	+ SCREW M4X12		2			
A04	763450-7	CHUCK KEY S10		1			
A05	457974-0	KEY HOLDER		1			

Please state Parts No. when your order.

Print Date 10/18/2023