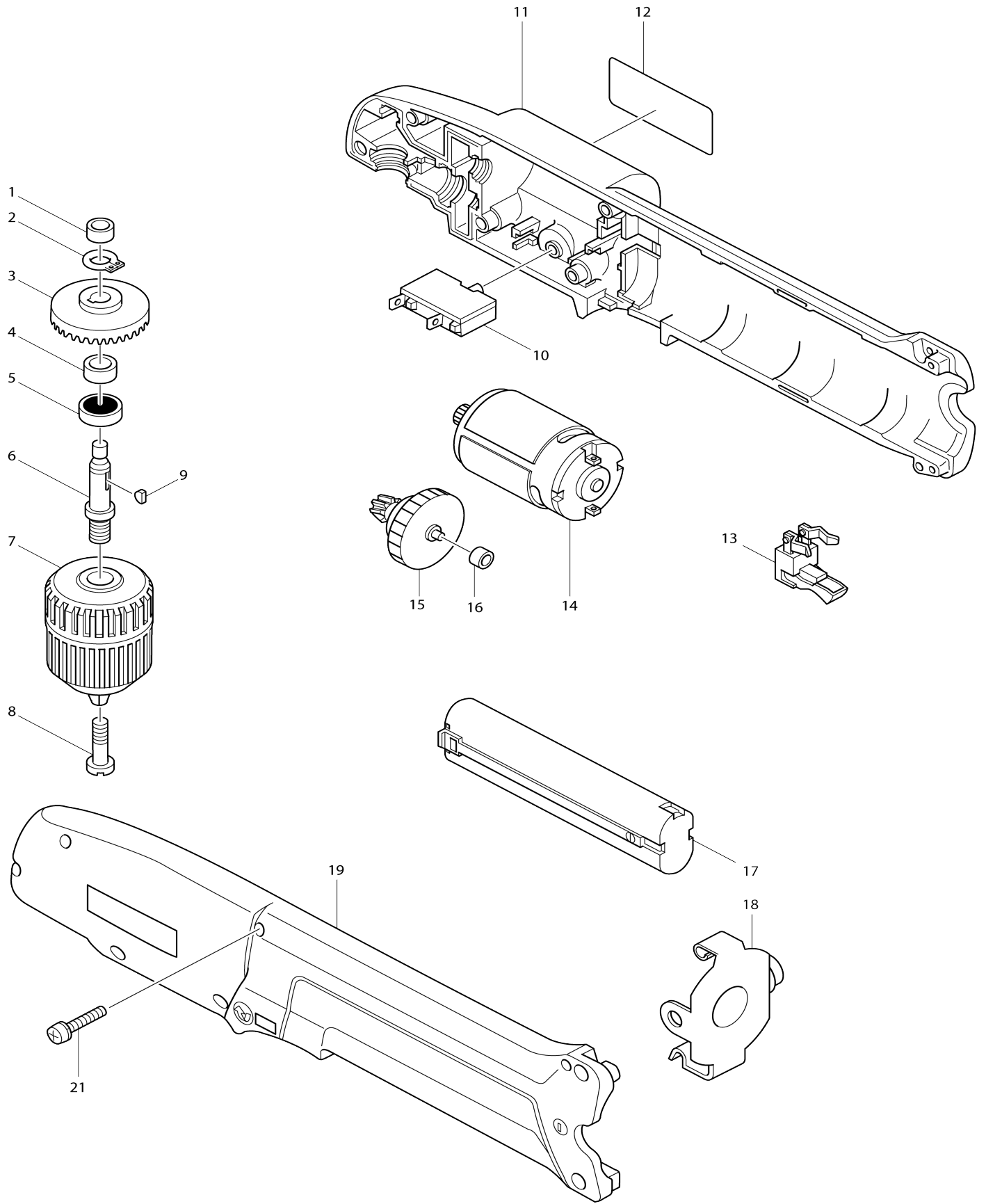


Model No.DA390D CORDLESS ANGLE DRILL 10MM



Model No.DA390D CORDLESS ANGLE DRILL 10MM

Item No.	Parts No.	Description	Interchangability	Q'ty	New/Old	Note1	Note2
001	214017-9	PLANE BEARING 5		1			
002	961004-6	RETAINING RING (EXT) S-8		1			
003	221387-9	SPIRAL BEVEL GEAR 36		1			
004	257106-7	RING 8		1			
005	211031-6	BALL BEARING 608LLB		1			
006	322278-8	SPINDLE		1			
007	763083-8	KEYLESS CHUCK LD10 1/16-3/8"		1	*		
007-1	763132-1	KEYLESS DRILL CHUCK 10	O	1			
008	251451-2	- PAN HEAD SCREW M5X22		1	*		
008-1	265B83-1	-PAN HEAD SCREW M5X22	O	1			
009	254031-3	WOODRUFF KEY 3		1			
010	652532-9	OVER CURRENT RELAY BC51		1			
011-1	182366-1	HOUSING SET		1			
D10		INC. 19-1					
012	856410-7	NAME PLATE DA390D		1			
013	531043-6	SWITCH ASS'Y TG60A		1			
014	629595-0	DC MOTOR 9.6V		1	*		
C10	221851-0	SPUR GEAR 11		1	*		
014-1	629623-1	DC MOTOR	O	1	*		
C10	221851-0	SPUR GEAR 11		1	*		
014-2	629623-1	DC MOTOR	O	1			
C10	221851-0	SPUR GEAR 11		1			
015	153193-3	GEAR COMPLETE		1			
016	214019-5	PLANE BEARING 4		1			
017-1	191681-2	BATTERY 9000 SET		1			
018	163157-9	SET PLATE		1	*		
018-1	342833-0	SET PLATE	O	1			
019-1	182366-1	HOUSING SET		1			
D10		INC. 11-1					
021	911143-2	PAN HEAD SCREW M4X22		7			
A01-1	182647-3	STEEL CARRYING CASE		1	*		
C10	819033-2	MAKITA LABEL		1	*		
A01-2	824627-0	PLASTIC CARRYING CASE	O	1			
C10	819143-5	MAKITA LABEL		1			
C20	186347-7	SLIDE LATCH SET		1			
A02	414938-7	BATTERY COVER		1			

Please state Parts No. when your order.

Print Date 10/18/2023