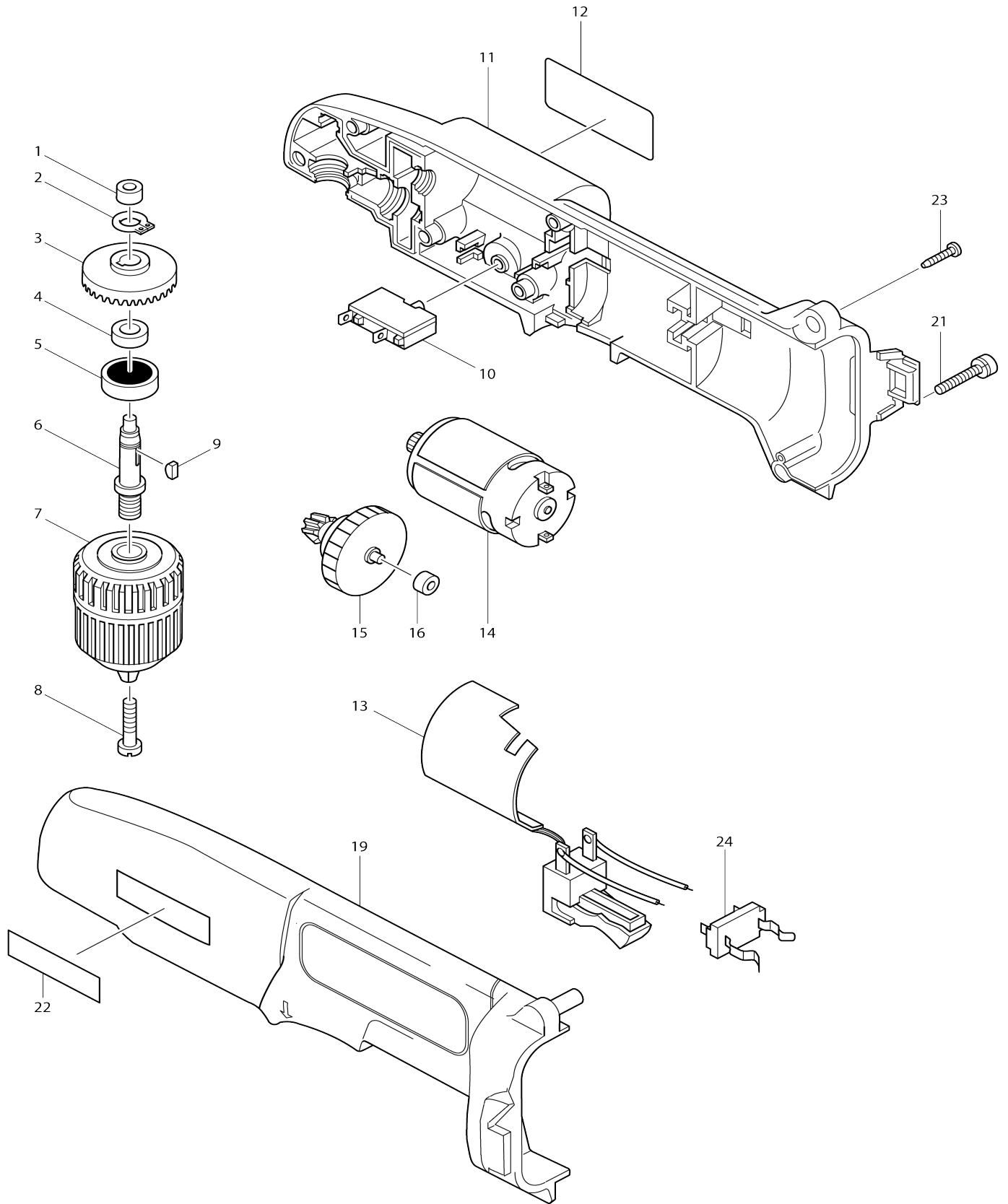


Model No.DA392D CORDLESS ANGLE DRILL 10MM



Model No.DA392D CORDLESS ANGLE DRILL 10MM

Item No.	Parts No.	Description	Interchangability	Q'ty	New/Old	Note1	Note2
001	214017-9	PLANE BEARING 5		1			
002	961004-6	RETAINING RING (EXT) S-8		1			
003	221387-9	SPIRAL BEVEL GEAR 36		1			
004	257106-7	RING 8		1			
005	211031-6	BALL BEARING 608LLB		1			
006	322278-8	SPINDLE		1			
007	192016-0	KEYLESS DRILL CHUCK 10		1			
D10		INC. 8					
008	251451-2	- PAN HEAD SCREW M5X22		1	*		
008-1	265B83-1	-PAN HEAD SCREW M5X22	O	1			
009	254031-3	WOODRUFF KEY 3		1			
010	652532-9	OVER CURRENT RELAY BC51		1			
011	183331-3	HOUSING SET		1			
D10		INC. 19,22					
012	852737-3	NAME PLATE DA392D		1			
013	650504-8	SWITCH TG55B-142		1			
014	629769-3	DC MOTOR		1			
C10	221851-0	SPUR GEAR 11		1			
015	153193-3	GEAR COMPLETE		1			
016	214019-5	PLANE BEARING 4		1			
019	183331-3	HOUSING SET		1			
D10		INC. 11,22					
021	911143-2	PAN HEAD SCREW M4X22		1			
022	819063-3	MAKITA LABEL		1			
023	266130-9	TAPPING SCREW BIND PT 3X16		6			
024	643909-9	BATTERY HOLDER		1			
E03	688161-2	LINE FILTER		1			
A01	414938-7	BATTERY COVER		1			
A02A_	192595-8	BATTERY 9122 SET		1			
A03	824627-0	PLASTIC CARRYING CASE		1			
C10	186347-7	SLIDE LATCH SET		1			
C20	819143-5	MAKITA LABEL		1			
A02B_	193099-3	BATTERY 9134 SET		1	*		
A02B1	193099-3	BATTERY 9134 SET	O	1			
A02C_	193058-7	BATTERY 9135 SET		1			
E01	193099-3	BATTERY 9134 SET		1	*		
E01-1	193099-3	BATTERY 9134 SET	O	1			
E02	414938-7	BATTERY COVER		1			
A02	192638-6	BATTERY 9120 SET		1			
E01	192638-6	BATTERY 9120 SET		1			

Please state Parts No. when your order.

Print Date 10/18/2023