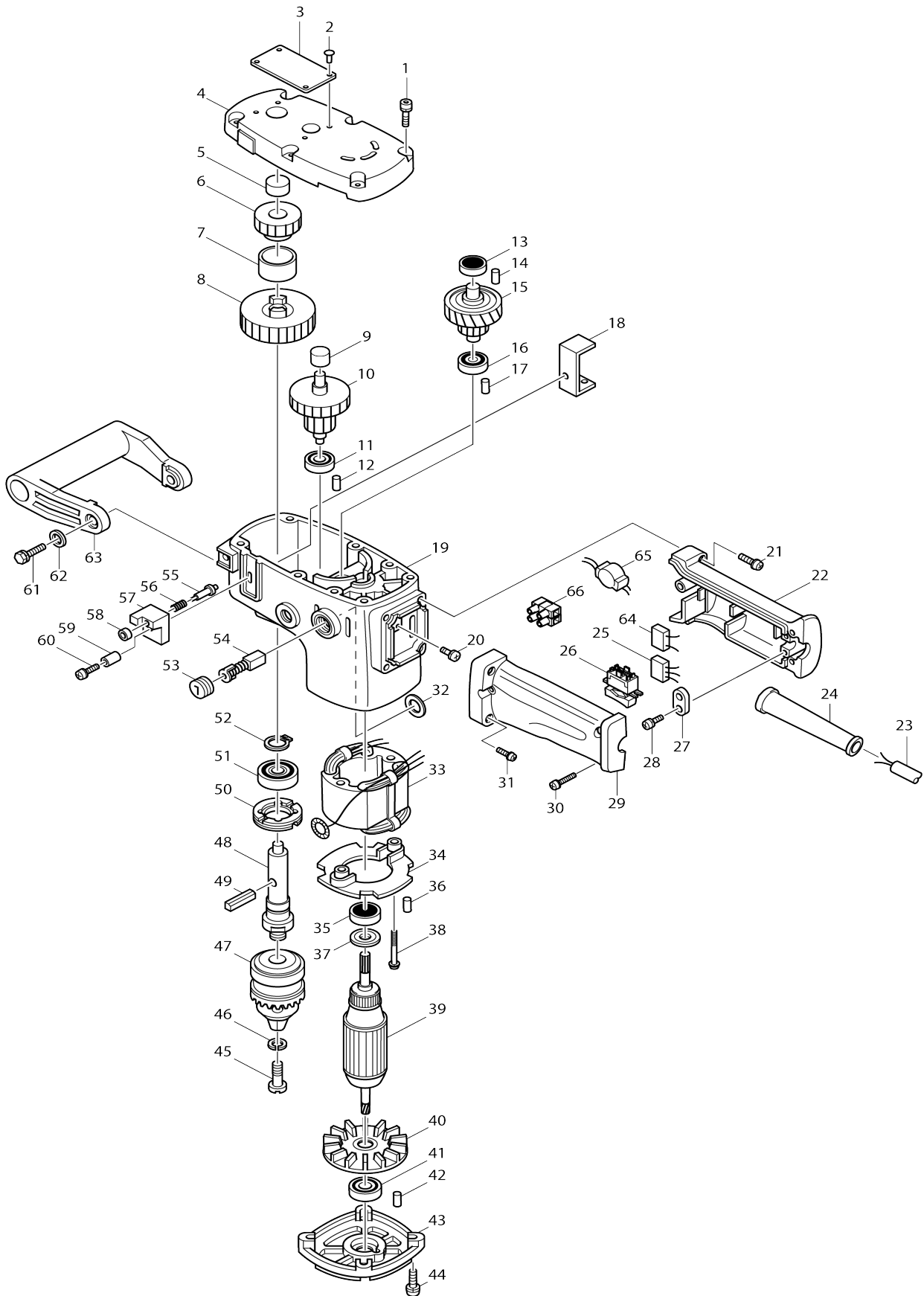


Model No.DA6301 ANGLE DRILL 13MM



Model No.DA6301 ANGLE DRILL 13MM

Item No.	Parts No.	Description	Interc hang eabilit y	Q'ty	New/ Old	Note1	Note2
001	911241-2	PAN HEAD SCREW M5X25		6			
002	953106-2	RIVET 0-5		4			
003	852488-8	NAME PLATE DA6301		1			
004	157398-7	HOUSING COVER		1			
D10		INC. 14					
005	212052-1	NEEDLE BEARING 1010		1			
006	221877-2	SPUR GEAR 33		1			
007	257573-6	SLEEVE 26		1			
008	221876-4	SPUR GEAR 57		1			
009	212004-2	NEEDLE BEARING 810		1			
010	226070-3	GEAR COMPLETE 20-45		1			
011	211033-2	BALL BEARING 608LB		1			
012	263002-9	RUBBER PIN 4		1			
013	211028-5	BALL BEARING 627LB		1			
014	263002-9	RUBBER PIN 4		1			
015	155700-8	TORQUE LIMITER COMPLETE		1			
016	211018-8	BALL BEARING 626LB		1	*		
016-1	211016-2	BALL BEARING 626LLB	O	1			
017	263002-9	RUBBER PIN 4		1			
018	341749-6	SLIDER		1			
019	159790-3	HOUSING COMPLETE		1			
C10	643603-3	BRUSH HOLDER 6-10		2			
C20	913206-0	SET SCREW M5X8		2			
D10		INC. 12,17,36					
020	652014-1	PAN HEAD SCREW M4X8		1			
021	911216-1	PAN HEAD SCREW M5X14		2			
022	182280-1	HANDLE SET		1	*		
D10		INC. 29					
022-1	183584-4	HANDLE SET	S	1			
D10		INC. 29					
023A_	665231-4	POWER SUPPLY CORD 1.00-3-2.5		1			
024A_	682540-6	CORD GUARD 9.3-90		1	*		
024A1	682505-8	CORD GUARD 10-90	O	1			
025	645253-0	NOISE SUPPRESSOR		1	*		
025-1	645261-1	NOISE SUPPRESSOR	<	1			
026	651564-3	SWITCH SL220SD-4		1	*		
026-1	651564-3	SWITCH SL220SD-4	O	1			
027A_	687000-3	STRAIN RELIEF		1			
028	911133-5	PAN HEAD SCREW M4X18		2			
029	182280-1	HANDLE SET		1	*		
D10		INC. 22					
029-1	183584-4	HANDLE SET	S	1			
D10		INC. 22					
030	911143-2	PAN HEAD SCREW M4X22		3			
031	911216-1	PAN HEAD SCREW M5X14		2			
032	681001-3	INSULATION WASHER		2			
033	522528-3	FIELD ASS'Y 220V		1			

C10	654019-7	RING TERMINAL		1		
C20	654501-6	CONNECTOR P-1.25		1		
034	411895-0	BAFFLE PLATE		1		
035	211061-7	BALL BEARING 600LLB		1		
036	263002-9	RUBBER PIN 4		1		
037	213059-0	DUST SEAL 10		1		
038	911681-4	PAN HEAD SCREW M5X60		2		
039	512738-0	ARMATURE ASS'Y 220V		1	*	
D10		INC. 35,37,40,41				
039-1	513638-7	ARMATURE ASS'Y 220V	<	1		
D10		INC. 35,37,40,41				
040	241635-0	FAN 70		1		
041	211033-2	BALL BEARING 608LB		1		
042	263002-9	RUBBER PIN 4		1		
043	152209-1	BEARING BOX COMPLETE		1		
D10		INC. 42				
044	911236-5	PAN HEAD SCREW M5X22		4		
045	251442-3	- FLAT HEAD SCREW M6X26		1		
046	942151-2	SPRING WASHER 6		1		
047	192883-3	DRILL CHUCK		1		
048	322421-9	SPINDLE		1		
049	321530-1	PIN 6		1		
050	285809-3	BEARING RETAINER 23-36		1		
051	211251-2	BALL BEARING 6003LLB		1	*	
051-1	210210-3	BALL BEARING 6003LLB	O	1		
052	961057-5	RETAINING RING S-17		1		
053	643600-9	BRUSH HOLDER CAP 6-10		2		
054	181030-1	CARBON BRUSH CB-100		1	*	
054-1	194974-6	CARBON BRUSH SET CB-100	O	1		
055	321891-9	STOPPER PIN		1		
056	231098-8	COMPRESSION SPRING 6		1		
057	410627-2	SLIDE BUTTON		1		
058	321892-7	NUT		1		
059	257574-4	SLEEVE 5		1		
060	911218-7	PAN HEAD SCREW M5X14		1		
061	921441-6	HEX. BOLT M8X25		2		
062	941202-8	FLAT WASHER 8		2		
063	273628-9	GRIP		1		
064	646755-9	RESISTOR		1	*	
064-1	646755-9	RESISTOR	O	1		
065	646324-6	LINE COIL		1		
066	654531-7	TERMINAL BLOCK 2P		1		
067	421297-2	DUST COVER		1		
A01	273476-6	GRIP 30		1		
A02	763432-9	CHUCK KEY S13		1		
A03	410102-8	KEY HOLDER		1		
A04	181791-3	STEEL CARRYING CASE		1	*	
C10	819033-2	MAKITA LABEL		1	*	
A04-1	181791-3	STEEL CARRYING CASE	O	1		
C10	819143-5	MAKITA LABEL		1		

Please state Parts No. when your order.

Print Date 12/05/2023