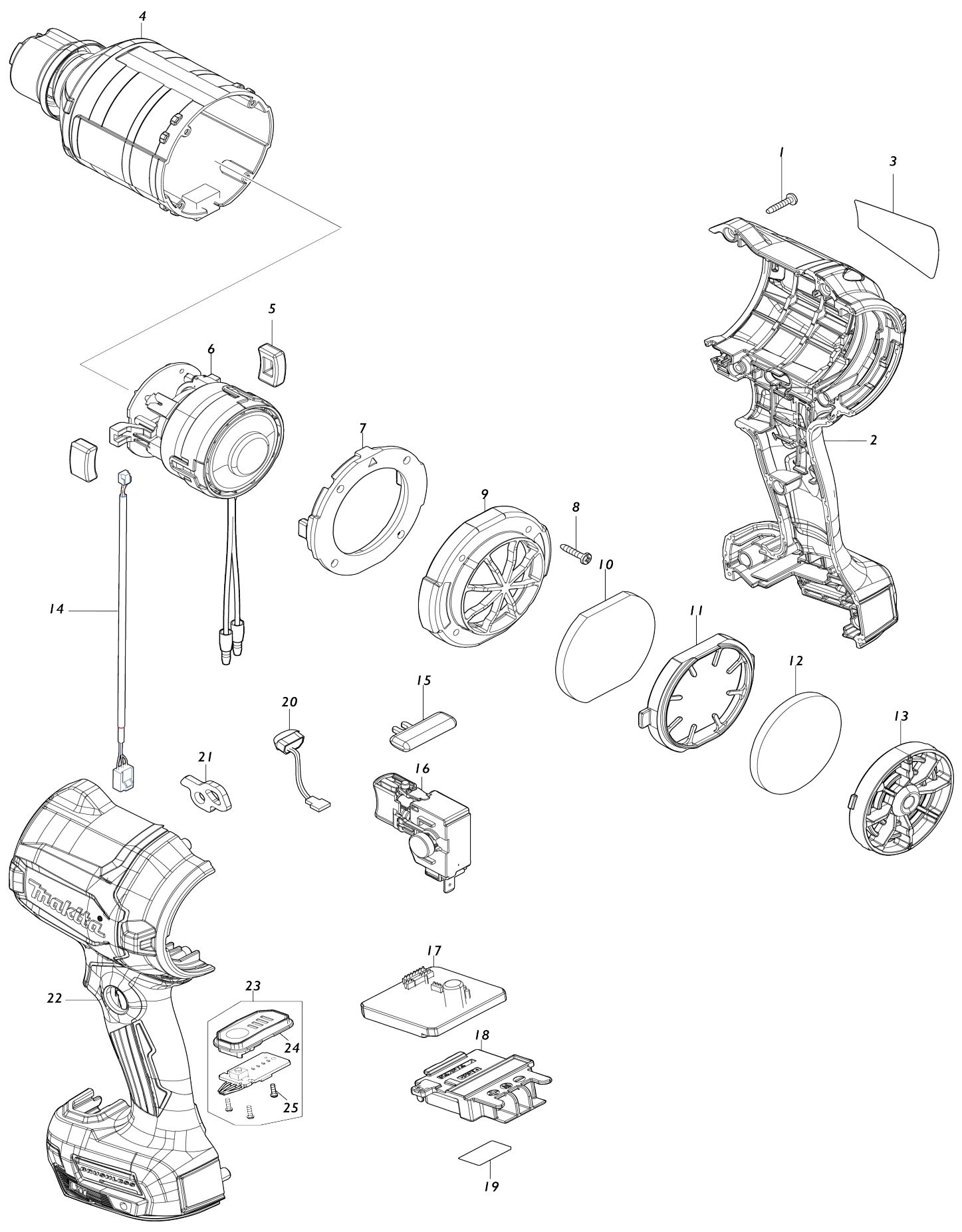


Model No.DAS180 CORDLESS DUST BLOWER



Model No.DAS180 CORDLESS DUST BLOWER

| Item No. | Parts No. | Description | Interchangability | Q'ty | New/Old | Note1 | Note2 |
|----------|-----------|-----------------------------|-------------------|------|---------|-------|-------|
| 001 | 266130-9 | TAPPING SCREW BIND PT 3X16 | | 8 | | | |
| 002 | 183Y77-1 | HOUSING SET | | 1 | | | |
| C10 | 263005-3 | RUBBER PIN 6 | | 2 | | | |
| C20 | 252126-6 | HEX. LOCK NUT M4-7 | | 2 | | | |
| C30 | 8045T0-0 | CAUTION LABEL | | 1 | | | |
| D10 | | INC. 22 | | | | | |
| 003 | 8588A8-1 | DAS180 NAME PLATE | | 1 | | | |
| 004 | 141K56-1 | MOTOR HOUSING COMPLETE | | 1 | | | |
| C10 | 422826-4 | SPONGE SHEET | | 1 | | | |
| 005 | 422816-7 | MOTOR COVER SEAL | | 2 | | | |
| 006 | 629B99-4 | MOTOR ASSEMBLY | | 1 | * | | |
| 006-1 | 629C73-8 | MOTOR ASSEMBLY | < | 1 | | | |
| 007 | 422817-5 | MOTOR COVER | | 1 | | | |
| 008 | 266130-9 | TAPPING SCREW BIND PT 3X16 | | 4 | | | |
| 009 | 413C47-7 | REAR COVER | | 1 | | | |
| 010 | 422824-8 | FILTER A | | 1 | | | |
| 011 | 413C49-3 | FILTER HOLDER | | 1 | | | |
| 012 | 422825-6 | FILTER B | | 1 | | | |
| 013 | 141G57-5 | DUST CAP COMPLETE | | 1 | | | |
| C10 | 263032-0 | RUBBER PIN 4 | | 2 | | | |
| 014 | 638A30-3 | LEAD UNIT | | 1 | | | |
| 015 | 412697-7 | LOCK OFF BUTTON | | 1 | | | |
| 016 | 650019-5 | SWITCH C3JW-4B-L | | 1 | | | |
| 017 | 620L90-5 | CONTROLLER | | 1 | | | |
| 018 | 643874-2 | TERMINAL | | 1 | | | |
| 019 | 8588B4-6 | DAS180 SERIAL NO. LABEL | | 1 | | | |
| 020 | 620521-2 | LED CIRCUIT | | 1 | | | |
| 021 | 347914-5 | STRAP RING | | 1 | | | |
| 022 | 183Y77-1 | HOUSING SET | | 1 | | | |
| C10 | 263005-3 | RUBBER PIN 6 | | 2 | | | |
| C20 | 252126-6 | HEX. LOCK NUT M4-7 | | 2 | | | |
| C30 | 8045T0-0 | CAUTION LABEL | | 1 | | | |
| D10 | | INC. 2 | | | | | |
| 023 | 620L89-0 | INDICATION CIRCUIT COMPLETE | | 1 | | | |
| D10 | | INC. 24,25 | | | | | |
| 024 | 687E52-4 | SWITCH PLATE COMPLETE | | 1 | | | |
| 025 | 266490-9 | TAPPING SCREW PT 2X6 | | 3 | | | |
| A01 | 191X19-5 | WIDE RANGE NOZZLE SET | | 1 | | | |
| A02 | 191X11-1 | NOZZLE 3 SET | | 1 | | | |
| A03 | 191X13-7 | NOZZLE 7 SET | | 1 | | | |
| A04 | 191X15-3 | NOZZLE 13 SET | | 1 | | | |
| A05 | 191X17-9 | PINCH VALVE NOZZLE SET | | 1 | | | |
| A06 | 831304-7 | ACCESSORY BAG | | 1 | | | |

Please state Parts No. when your order.

Print Date 12/04/2023