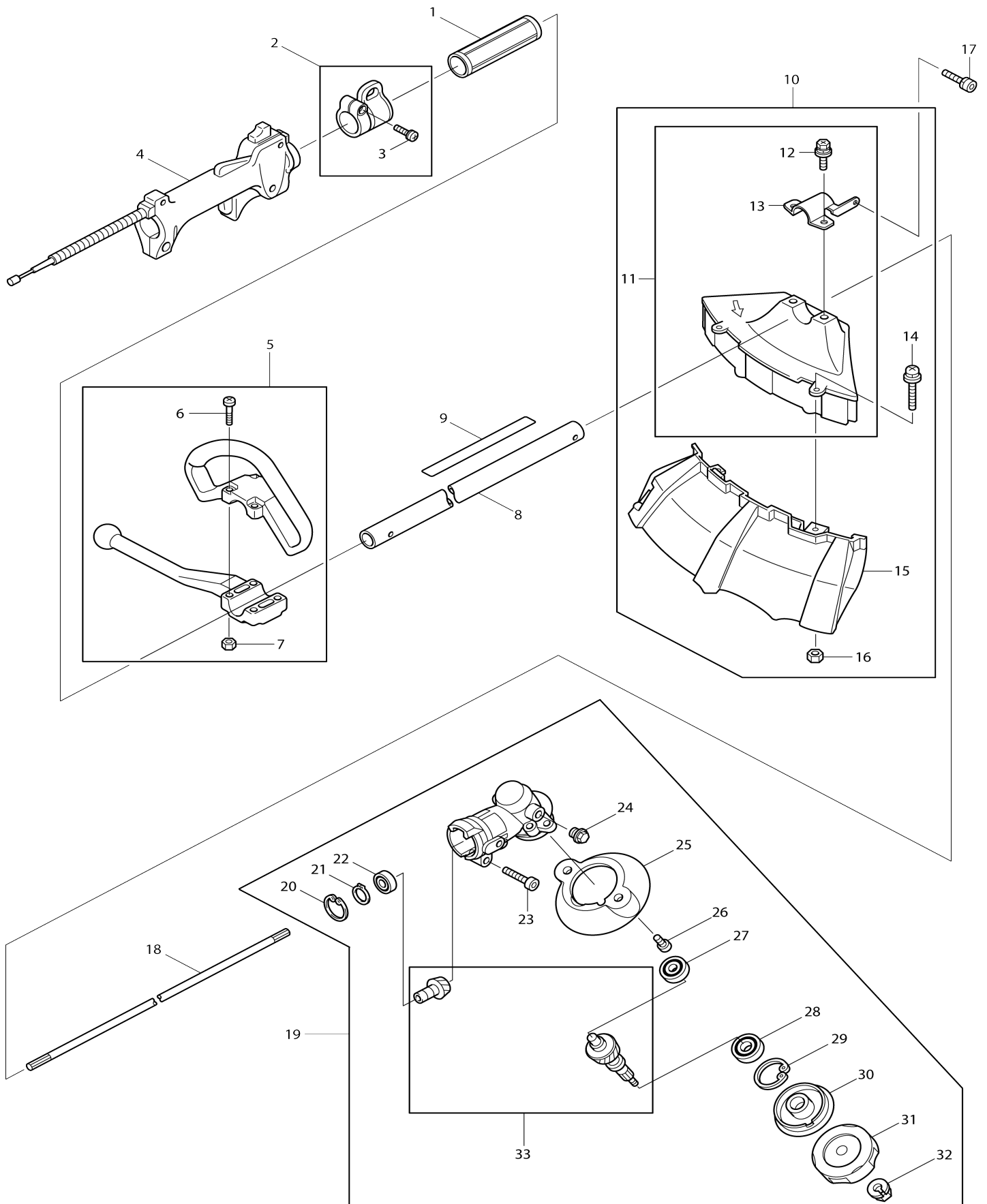
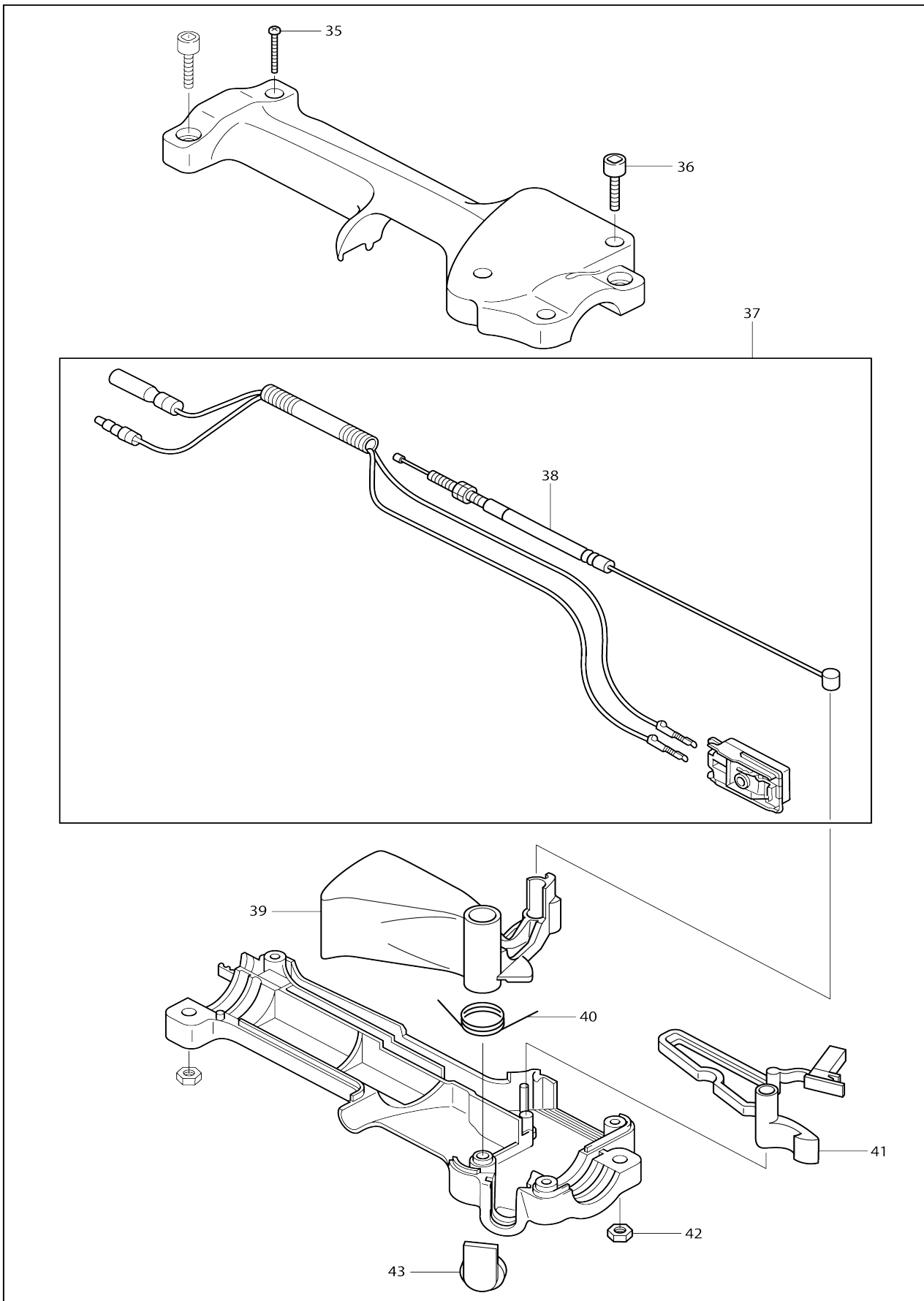


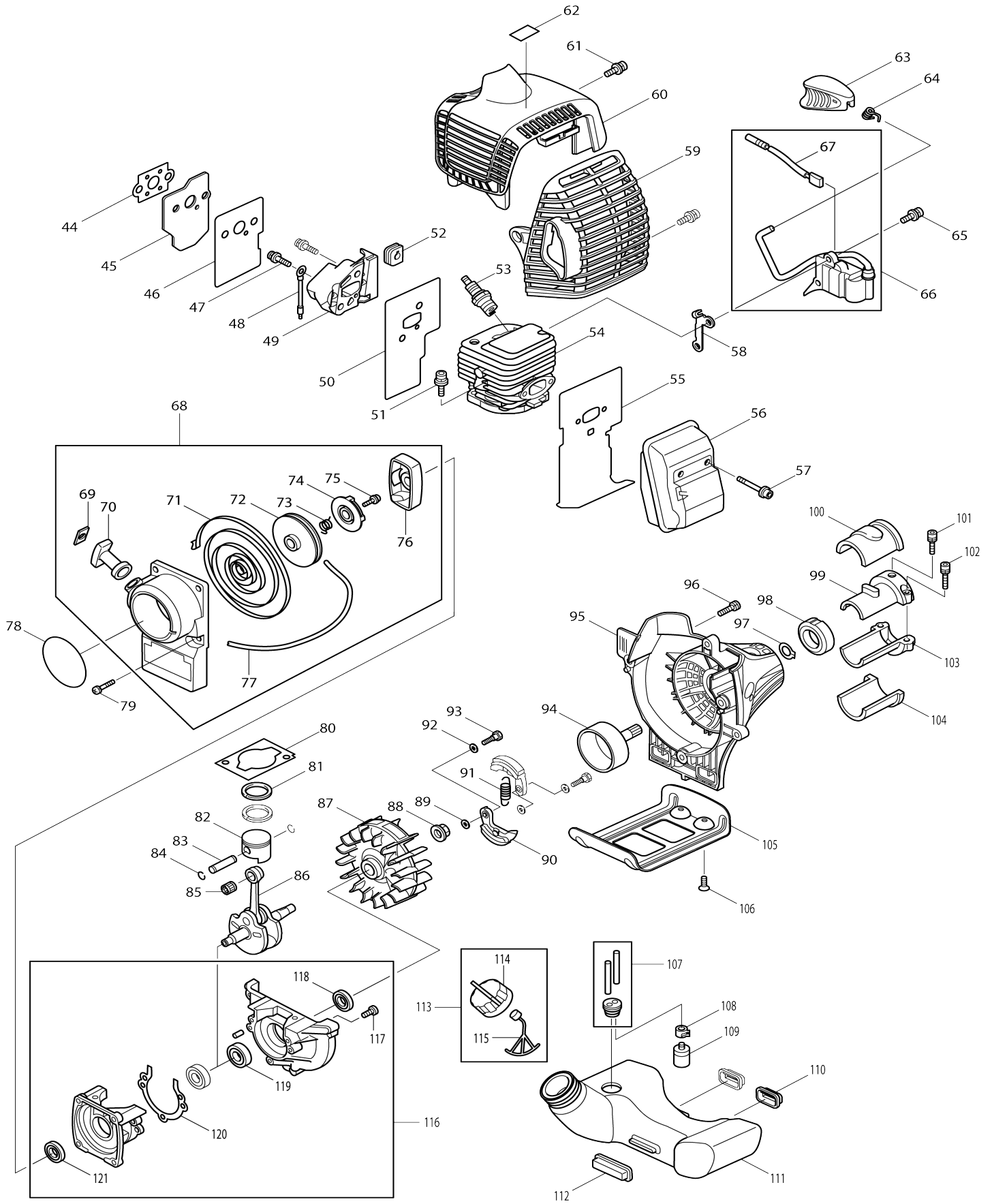
Model No.DBC260L BRUSH CUTTER



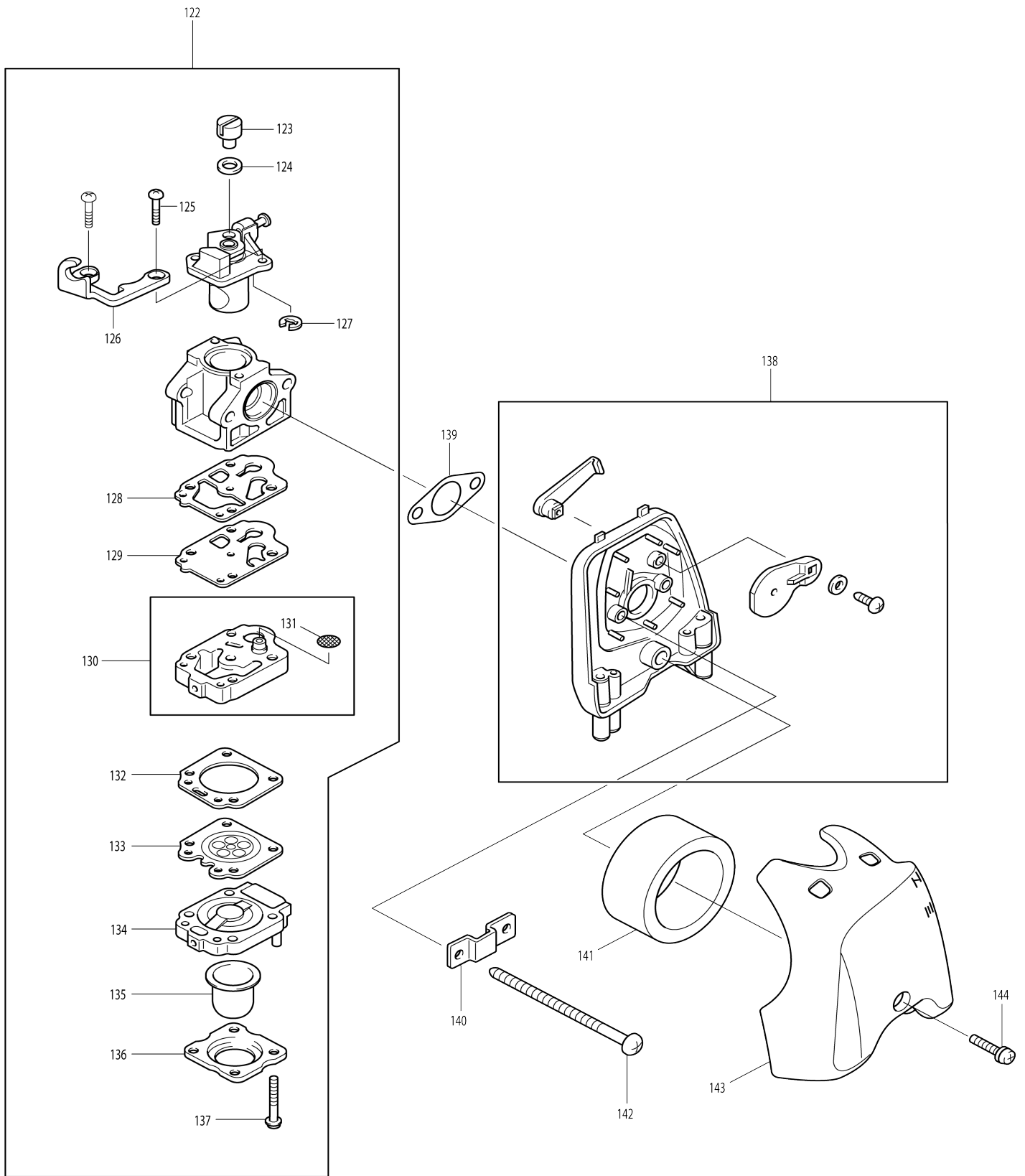
Model No.DBC260L BRUSH CUTTER



Model No.DBC260L BRUSH CUTTER



Model No.DBC260L BRUSH CUTTER



Model No.DBC260L BRUSH CUTTER

Item No.	Parts No.	Description	Interchangeability	Q'ty	New/Old	Note1	Note2
001	6271501501	SPACER		1	*		
001-1	450659-7	SPACER	O	1			
002	6197005001	HANGER ASS'Y		1	*		
D10		INC. 3					
002-1	126378-4	HANGER ASS'Y	O	1			
D10		INC. 3					
003	0140059360	SCREW & WASHER ASS'Y		1	*		
003-1	266788-4	PAN HEAD SCREW M5X20 WITH WR	O	1			
004	6255070000	CONTROL LEVER ASSY		1	*		
004-1	6255070001	CONTROL LEVER ASSY	<	1			
005	6214016000	HANDLE SET		1	*		
D10		INC. 6, 7					
005-1	125567-8	HANDLE ASSEMBLY	O	1			
D10		INC. 6, 7					
006	6214016030	SCREW		4	*		
006-1	266845-8	BINDING HEAD SCREW M5X25	O	4			
007	0022705000	NUT M5		4	*		
007-1	264093-3	HEX. NUT M5	O	4	*		
007-2	931202-6	HEX. NUT M5	O	4			
008	6251056000	PIPE		1			
009	6259549600	CAUTION LABEL		1			
010	6258064000	PROTECTOR ASS'Y		1	*		
D10		INC. 11, 14-16					
010-1	6258064001	PROTECTOR ASS'Y	O	1	*		
D10		INC. 11, 14-16					
010-2	6258064002	PROTECTOR ASS'Y	O	1			
D10		INC. 11, 14-16					
011	6258065000	PROTECTOR ASS'Y		1	*		
D10		INC. 12, 13					
011-1	6258065001	PROTECTOR ASSY	O	1			
D10		INC. 12,13,145					
012	0100069790	BOLT M6X30		2	*		
012-1	0100069770	BOLT,CROSSRECESS	O	2	*		
012-2	266617-1	CROSS-RECESSED HEAD BOLT M6X23	O	2			
013	6258509400	PROTECTOR CLAMP		1			
014	0140059380	SCREW ASSEMBLY		2			
015	6258053001	PROTECTOR COMPLETE		1	*		
015-1	140424-9	PROTECTOR COMPLETE	O	1			
016	0021805000	NUT M5		2	*		
016-1	264035-7	HEX. NUT M5	O	2			
017	0119059490	SOCKET HEAD BOLT M5X14 (W,S W)		1			
018	6191500401	SHAFT		1	*		
018-1	324893-4	SHAFT	O	1			
019	6243006002	CASE,GEAR ASSY		1	*		
D10		INC. 20-33					

019-1	125476-1	GEAR CASE ASSEMBLY	O	1	*		
D10		INC. 20-33					
019-2	122C74-0	GEAR CASE ASSEMBLY	O	1			
D10		INC. 20-33					
020	0031424000	INNER SNAP RING		1	*		
020-1	257987-9	RETAINING RING (INT)R-24	O	1			
021	6193006120	OUTER SNAP RING		1	*		
021-1	257986-1	RETAINING RING (EXT) S-9	O	1			
022	6212500300	BALL BEARING #609ZZ		1	*		
022-1	210049-4	BALL BEARING 609ZZ	O	1	*		
022-2	210157-1	BALL BEARING 609ZZ	O	1			
023	0119059890	SOCKET HEAD BOLT M5X25		1	*		
023-1	266805-0	H.S.H.BOLT M5X25 WITH W	O	1	*		
023-2	922241-7	HEX. SOCKET HEAD BOLT M5X25	O	1			
024	6253011012	OIL BOLT M6X9		1	*		
024-1	265578-2	+HEX.BOLT M6X8	O	1	*		
024-2	266863-6	+HEX.BOLT M6X8	O	1			
025	6218500200	GUARD		1	*		
025-1	450653-9	GUARD	O	1			
026	0140059390	SCREW ASSEMBLY		2	*		
026-1	265195-8	+PAN HEAD SCREW M5X12	O	2			
027	0600069990	BALL BEARING 626ZZ		1	*		
027-1	210083-4	BALL BEARING 626	O	1	*		
027-2	210018-5	BALL BEARING 626	O	1	*		
027-3	210158-9	BALL BEARING 626	O	1			
028	0600109910	BALL BEARING 6000DDU		1	*		
028-1	210082-6	BALL BEARING 6000DDU	O	1			
029	0031426000	INNER SNAP RING		1	*		
029-1	257988-7	RETAINING RING (INT) R-26	O	1			
030	6218501601	RECEIVE WASHER		1	*		
030-1	6218500000	RECEIVE WASHER	O	1	*		
030-2	332042-9	RECEIVE WASHER	O	1	*		
030-3	326819-2	RECEIVE WASHER	O	1			
031	6218003001	CLAMP COMPL. WASHER		1	*		
031-1	168481-5	CLAMP WASHER COMPLETE	O	1	*		
031-2	168797-8	CLAMP WASHER COMPLETE	O	1			
032	6258505001	NUT		1	*		
032-1	264018-7	HEX.NUT M8	O	1			
033	6243008002	CUTTER SHAFT SET		1	*		
033-1	195350-7	CUTTER SHAFT SET	O	1			
034	6255070000	CONTROL LEVER ASSY		1	*		
D10		INC. 35-37, 39-44					
034-1	6255070001	CONTROL LEVER ASSY	<	1			
D10		INC. 35-37, 39-44					
035	6195006060	TAPPING SCREW M4X20		4	*		
035-1	266584-0	TAPPING SCREW 4X20	O	4			
036	0119059720	SOCKET HEAD BOLT M5X20		2	*		
036-1	266698-5	HEX. SOCKET HEAD BOLT M5X20	O	2			
037	6255070010	WIRE ASSY		1	*		
D10		INC. 38					
037-1	6255070011	WIRE ASSY	<	1			
D10		INC. 38					

038	6255070020	WIRE COMPLETE		1	*		
038-1	6255070021	WIRE COMPLETE	<	1			
039	6195006030	LEVER		1	*		
039-1	451933-6	LONG LEVER	O	1			
040	6195006050	SPRING		1	*		
040-1	233568-3	TORSION SPRING	O	1			
041	6195013010	LEVER		1	*		
041-1	452278-5	STOP LEVER	O	1			
042	6415011160	NUT		2	*		
042-1	931203-4	HEX. NUT M5	O	2			
043	6195006150	TOP		1	*		
043-1	451936-0	TOP	O	1			
044	S135994451	CARBURETOR GASKET		1	*		
044-1	413157-2	CARBURETOR GASKET	O	1			
045	S135173092	CARBURETOR INSULATOR		1	*		
045-1	346591-0	CARBURETOR PLATE	O	1			
046	S135993842	CARBURETOR GASKET		1	*		
046-1	442188-4	CARBURETOR GASKET	O	1			
047	0119059640	SOCKET HEAD BOLT M5X25		2	*		
047-1	266793-1	HEX. S.H.B. M5X25 WITH WR	O	2			
048	5267007000	WIRE COMPLETE		1	*		
048-1	141700-4	WIRE COMPLETE	O	1			
049	S199513670	INSULATOR		1			
050	S135994490	INSULATOR GASKET		1			
051	0119059730	SOCKET HEAD BOLT M5X20		2	*		
051-1	266814-9	HEX SOCKET HEAD BOLT M5X20	O	2			
052	S198113530	RUBBER		1	*		
052-1	424491-5	GROMMET	O	1			
053	0650149661	SPARK PLUG		1	*		
053-1	168648-5	SPARK PLUG (BPMR7A)	O	1			
054	S110213770	CYLINDER		1	*		
054-1	318924-9	CYLINDER	O	1			
055	5263501200	MUFFLER GASKET		1			
056	S135043271	EXHAUST MUFFER		1	*		
056-1	168761-9	EXHAUST MUFFLER	O	1			
057	0119059550	SOCKET HEAD BOLT		2	*		
057-1	266754-1	SOCKET HEAD BOLT	O	2			
058	S199513451	INSULATOR, IGNITION COIL		1			
059	450399-7	MUFFLER COVER		1			
060	450397-1	CYLINDER COVER		1			
061	0140059360	SCREW & WASHER ASS'Y		2	*		
061-1	266788-4	PAN HEAD SCREW M5X20 WITH WR	O	2			
062	0736309870	LABEL		1	*		
062-1	898343-0	CAUTION LABEL	O	1			
063	424079-1	PLUG CAP		1			
064	0654009931	PLUG CAP SPRING		1	*		
064-1	324891-8	PLUG CAP SPRING	O	1			
065	0119049970	SOCKET HEAD BOLT M4X20		2	*		
065-1	922138-0	H.S.H.BOLT M4X20 WITH WR	O	2			
066	S150053510	IGNITION COIL ASSY		1			
D10		INC. 67					

067	S185603500	WIRE COMPLETE		1		
068	5265009000	REWIND STARTER ASS'Y		1		
D10		INC. 69-77				
069	5315001030	STOPPER		1	*	
069-1	424360-0	ROPE STOPPER	O	1		
070	5215002110	STARTER KNOB		1	*	
070-1	424317-1	STARTER KNOB	O	1		
071	5215002030	SPIRAL SPRING		1	*	
071-1	232258-5	SPIRAL SPRING	O	1		
072	5265007030	REEL		1		
073	5265007050	DAMPER SPRING		1	*	
073-1	233578-0	DAMPER SPRING	O	1		
074	5265007040	CAM PLATE		1		
075	5195002060	SET SCREW		1	*	
075-1	266585-8	TAPPING SCREW 5X12	O	1		
076	5195018000	PULLEY		1		
077	5265007110	STARTER ROPE		1		
078	5269500600	MODEL LABEL		1		
079	0140059330	SCREW M5X20(W,SW)		4	*	
079-1	265A08-9	PAN HEAD SCREW M5X20	O	4		
080	S110993460	CYLINDER GASKET		1	*	
080-1	346624-1	CYLINDER GASKET	O	1		
081	S115113650	PISTON RING		2	*	
081-1	257334-4	PISTON RING 33	O	2		
082	S115313750	PISTON		1	*	
082-1	318858-6	PISTON	O	1		
083	S115323041	PISTON PIN		1	*	
083-1	257338-6	PISTON PIN	O	1		
084	S198343210	CLIP		2	*	
084-1	234243-4	CLIP	O	2		
085	S042709008	NEEDLE ROLLER BEARING		1		
086	5262004000	CRANKSHAFT COMPLETE		1		
087	S150103600	FLYWHEEL COMPLETE		1		
088	S020109107	NUT		1		
089	5928500300	WASHER		2	*	
089-1	267812-6	WASHER 6	O	2		
090	5928500000	CLUTCH SHOE		2		
091	5928500600	SPRING		1		
092	0200089911	WASHER M8		2	*	
092-1	267817-6	WASHER 8	O	2		
093	5928500400	CLUTCH BOLT		2		
094	6252022000	CLUTCH DRUM COMPLETE		1		
095	450395-5	CLUTCH CASE		1		
096	0119059730	SOCKET HEAD BOLT M5X20		3	*	
096-1	266814-9	HEX SOCKET HEAD BOLT M5X20	O	3		
097	0031512000	OUTER SNAP RING		1	*	
097-1	961052-5	RETAINING RING (EXT) S-12	O	1		
098	424123-4	BUFFER RUBBER		1		
099	318249-1	PIPE HOLDER		1		
100	424082-2	BUFFER RUBBER		1		
101	0119059900	SOCKET HEAD BOLT M5X12		1		

102	0119059730	SOCKET HEAD BOLT M5X20		2	*		
102-1	266814-9	HEX SOCKET HEAD BOLT M5X20	O	2			
103	318250-6	PIPE HOLDER		1			
104	424083-0	BUFFER RUBBER		1			
105	345882-6	STAND		1			
106	266020-6	TAPPING SCREW 4X12		4			
107	0851209880	TUBE COMPLETE		1	*		
107-1	0851209881	TUBE COMPLETE	<	1	*		
107-2	168658-2	FUEL TUBE ASSEMBLY	O	1			
108	0561059990	HOSE CLAMP		1	*		
108-1	345920-4	HOSE CLAMP	O	1			
109	5236503900	FILTER		1	*		
109-1	163447-0	FUEL FILTER	O	1	*		
109-2	163447-0	FUEL FILTER	O	1			
110	424080-6	BUFFER RUBBER		2			
111	450400-8	FUEL TANK		1			
112	424081-4	BUFFER RUBBER		1			
113	5266008000	CAP FUEL TANK ASSY		1	*		
D10		INC. 114, 115					
113-1	5266008001	CAP FUEL TANK ASSY	O	1			
D10		INC. 114, 115					
114	5266010000	CAP FUEL TANK ASSY		1	*		
114-1	5266010001	CAP FUEL TANK ASSY	O	1			
115	5256067000	STRAP		1	*		
115-1	140436-2	STRAP COMPLETE	O	1			
116	5261003000	CRANKCASE ASSY		1			
D10		INC. 117-121					
117	0119059570	SOCKET HEAD BOLT M5X30		3	*		
117-1	266789-2	H.S.H.BOLT M5X30 WITH WR	O	3	*		
117-2	922253-0	H.S.H.BOLT M5X30 WITH WR	O	3			
118	S050209070	OIL SEAL		1	*		
118-1	213683-9	OIL SEAL 12	O	1			
119	0600129790	BALL BEARING		2	*		
119-1	211369-9	BALL BEARING 6201	O	2			
120	S110993450	CRANK CASE GASKET		1	*		
120-1	442187-6	CRANKCASE GASKET	O	1			
121	0440129940	OIL SEAL		1	*		
121-1	213682-1	OIL SEAL 12	O	1	*		
121-2	213133-4	OIL SEAL 12	O	1			
122	5266009000	CARBURETOR		1			
D10		INC. 123-130, 132-137					
123	5246001210	SWIVEL		1			
124	5426005030	WASHER		1	*		
124-1	413140-9	WASHER	O	1			
125	5266009020	SCREW		2	*		
125-1	WJ00963279	SCREW	O	2			
126	5266009030	CABLE BRACKET		1			
127	5316005120	RING		1	*		
127-1	257964-1	STOP RING E-3	O	1			
128	5926002040	PUMP GASKET		1	*		
128-1	442155-9	PUMP GASKET	O	1			
129	5246001040	PUMP DIAPHRAGM		1	*		

129-1	168575-6	PUMP DIAPHRAGM	O	1	*		
129-2	WJ00009599	PUMP DIAPHRAGM	O	1			
130	5266002010	PUMP BODY ASSEMBLY		1			
D10		INC. 131					
131	5016004010	INLET SCREEN		1	*		
131-1	352010-6	INLET SCREEN	O	1	*		
131-2	WJ00014070	INLET SCREEN	O	1			
132	5236046040	METERING DIAPHRAGM GASKET		1	*		
132-1	442154-1	METERING DIAPHRAGM GASKET	O	1			
133	5266009010	METERING DIAPHRAGM ASSY		1	*		
133-1	168620-7	METERING DIAPHRAGM	O	1			
134	5236046060	AIR PURGE BODY ASS'Y		1	*		
134-1	140988-3	AIR PURGE BODY ASSEMBLY	O	1			
135	5246001150	PRIMER PUMP		1	*		
135-1	424314-7	PRIMER PUMP	O	1			
136	5236046050	PRIMER PUMP COVER		1	*		
136-1	346270-0	PRIMER PUMP COVER	O	1			
137	5236046010	PUMP COVER SCREW		4	*		
137-1	266582-4	TAPPING SCREW 3X24	O	4			
138	5263005000	AIR CLEANER PLATE ASSY		1			
139	5253503900	GASKET,CARBURETOR		1	*		
139-1	413158-0	CARBURETOR GASKET	O	1			
140	5013502400	AIR CLEANER PLATE ASSY		1	*		
140-1	346489-1	AIR CLEANER PLATE	O	1			
141	5263501300	AIR FILTER		1			
142	0043105603	PAN HEAD SCREW M5X60		2	*		
142-1	911282-8	P.H.SCREW M5X60	<	2			
143	450403-2	AIR CLEANER COVER		1			
144	0140059360	SCREW & WASHER ASS'Y		1	*		
144-1	266788-4	PAN HEAD SCREW M5X20 WITH WR	O	1			
145	413143-3	WASHER		2			
146	808723-2	CAUTION LABEL		1			
A01	6197004000	BAND ASSY		1	*		
A01-1	126012-6	BAND ASSEMBLY	O	1			
A02	6218020001	TRIMMER HEAD ASSEMBLY 94-M 8L		1	*		
A02-1	122977-0	TRIMMER HEAD ASSEMBLY 94-M 8L	O	1			
A03	6119019001	TOOL KIT		1	*		
D10		INC. 148					
A03-1	195508-8	ACCESSORY SET	O	1			
D10		INC. 148					
A04	0717049990	HEX. WRENCH		1	*		
A04-1	783223-2	HEX. WRENCH 4	O	1			

Please state Parts No. when your order.

Print Date 10/18/2023