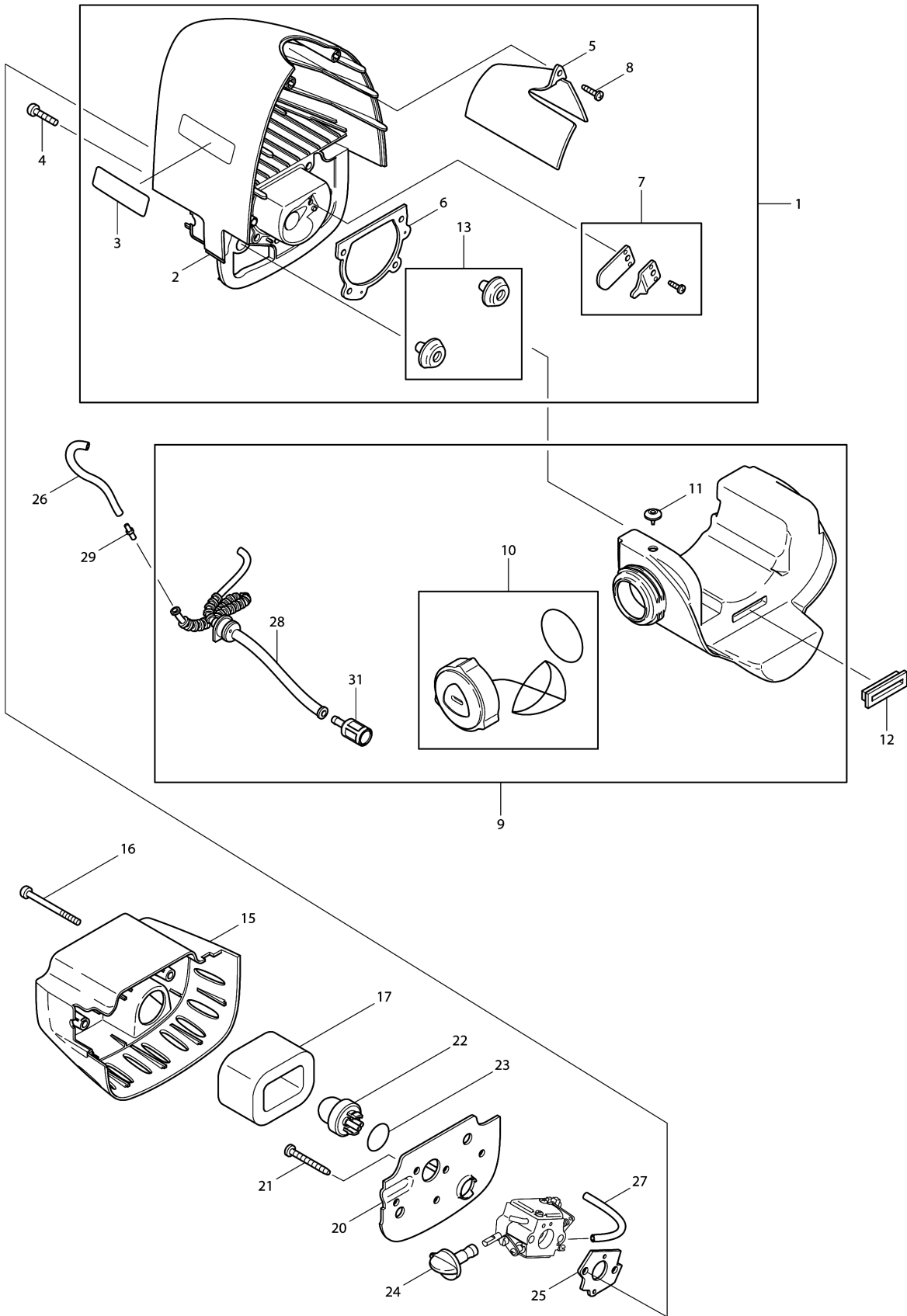
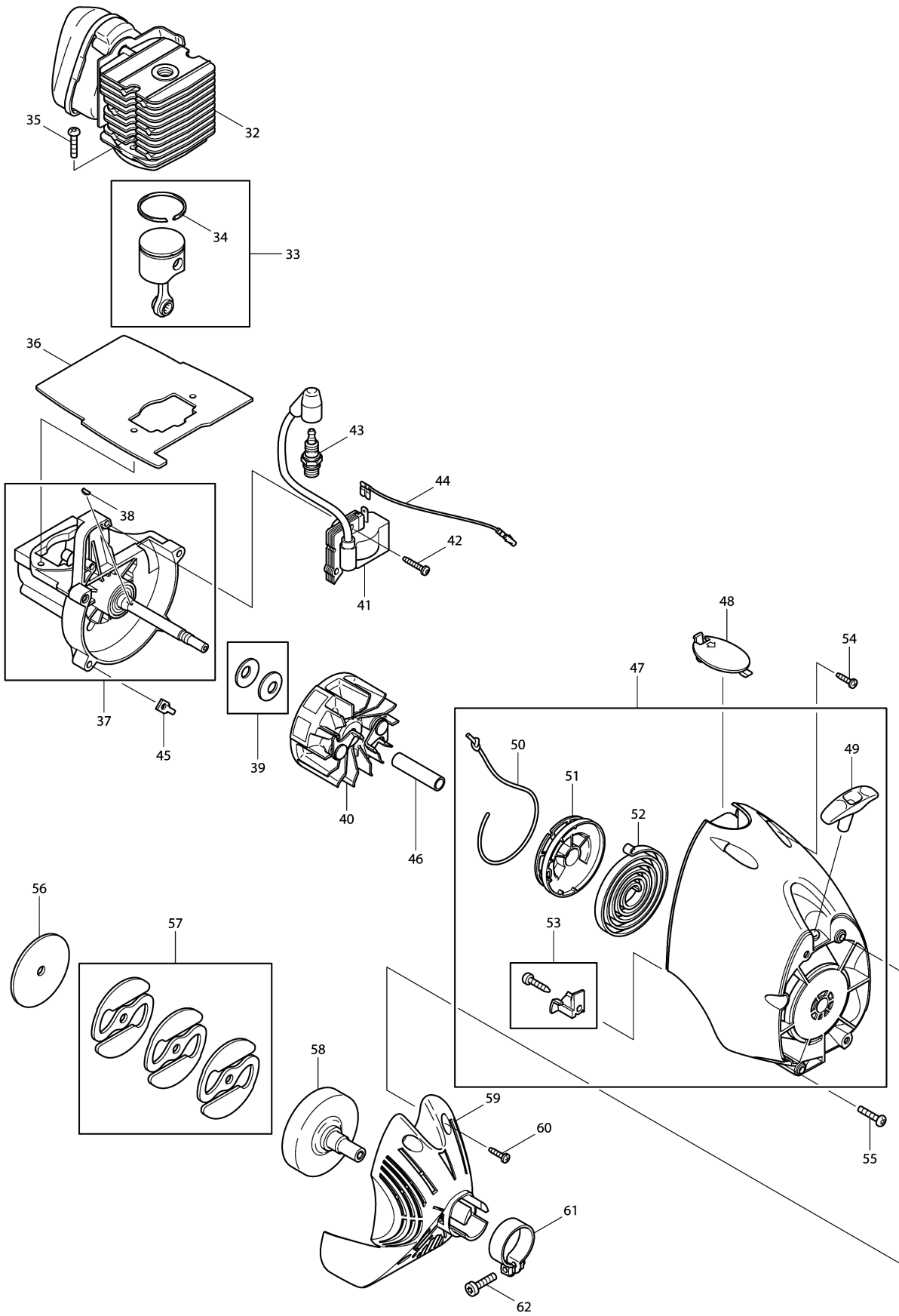


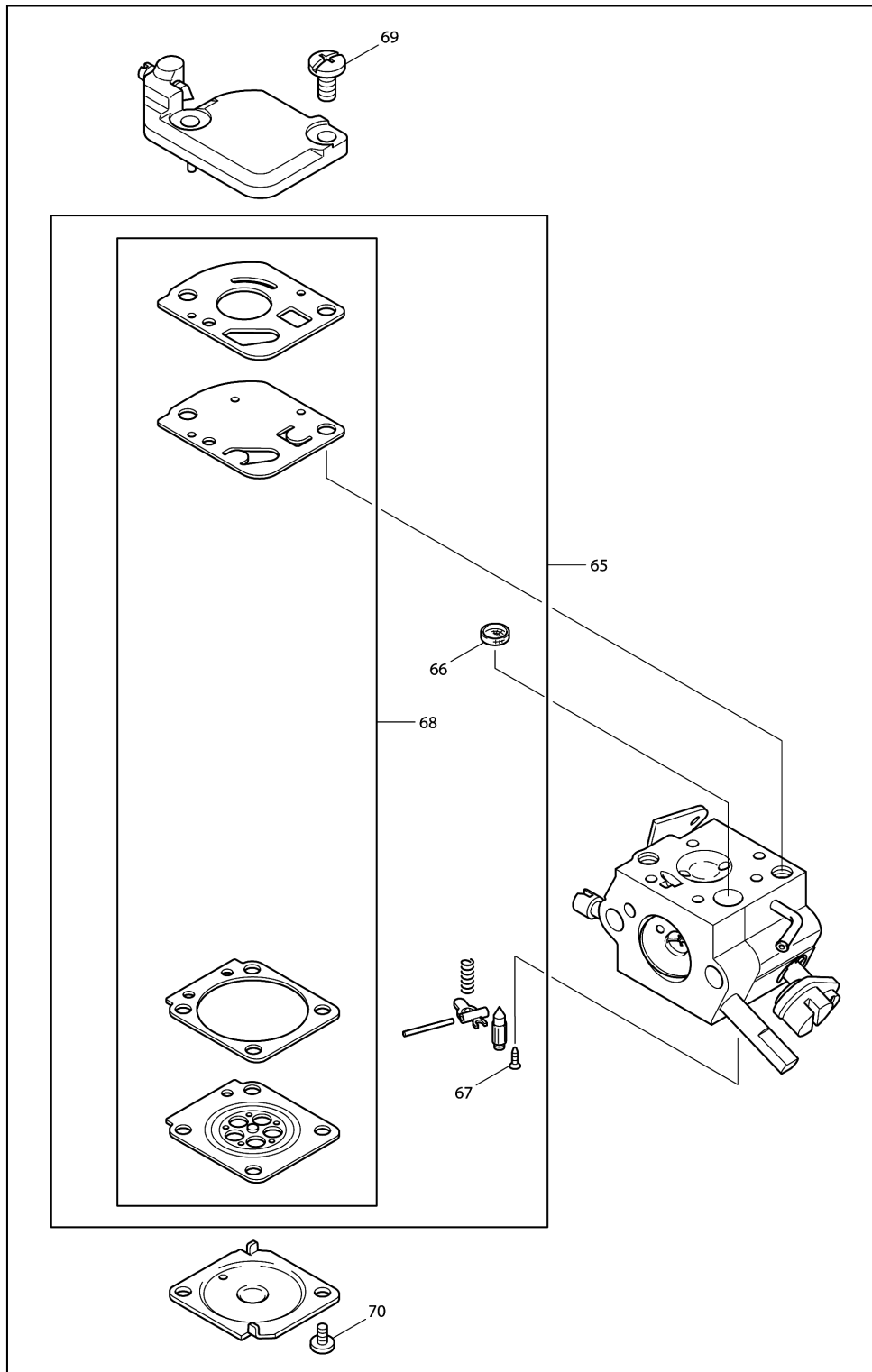
Model No.DBC300 BRUSH CUTTER



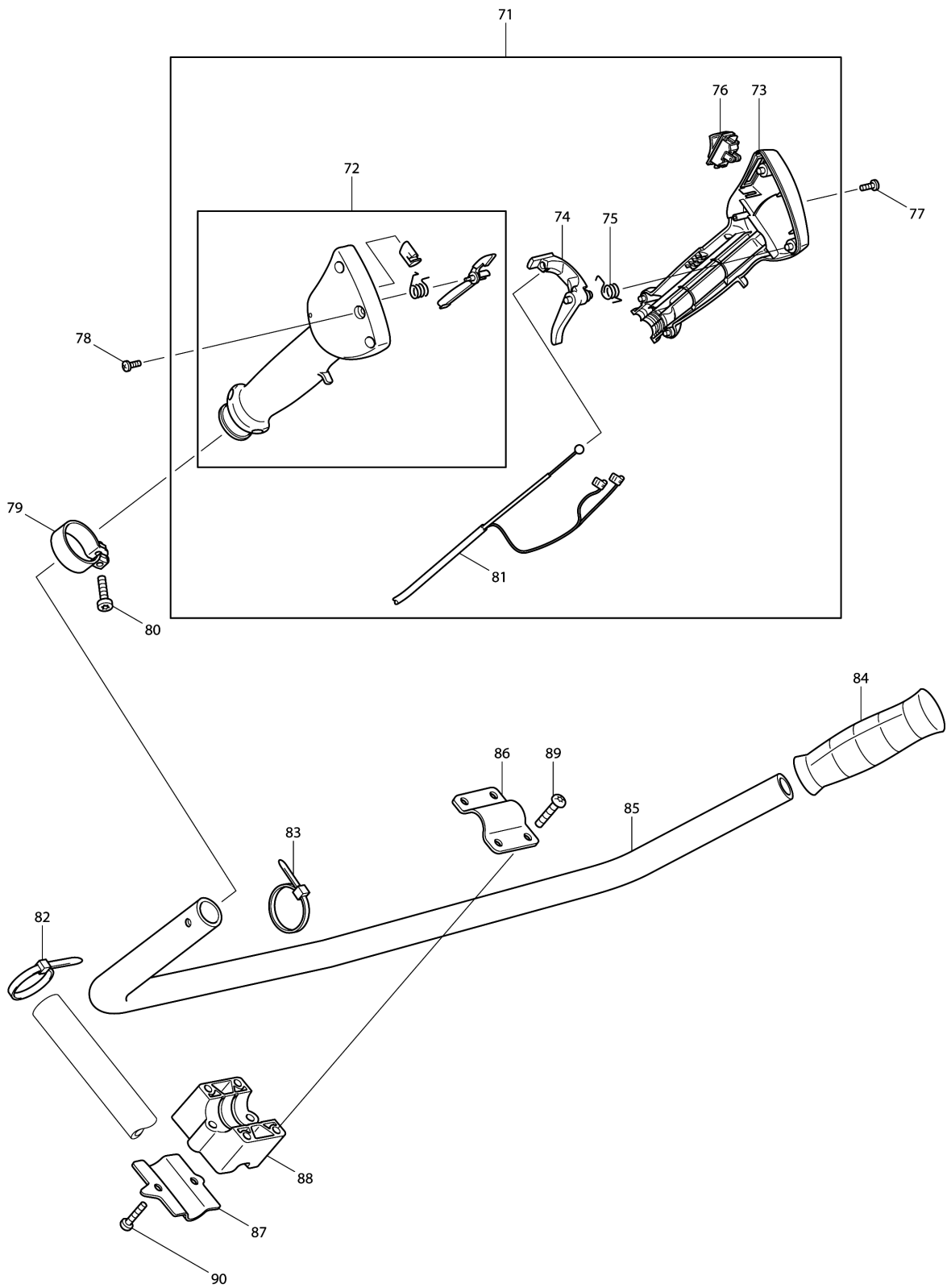
Model No.DBC300 BRUSH CUTTER



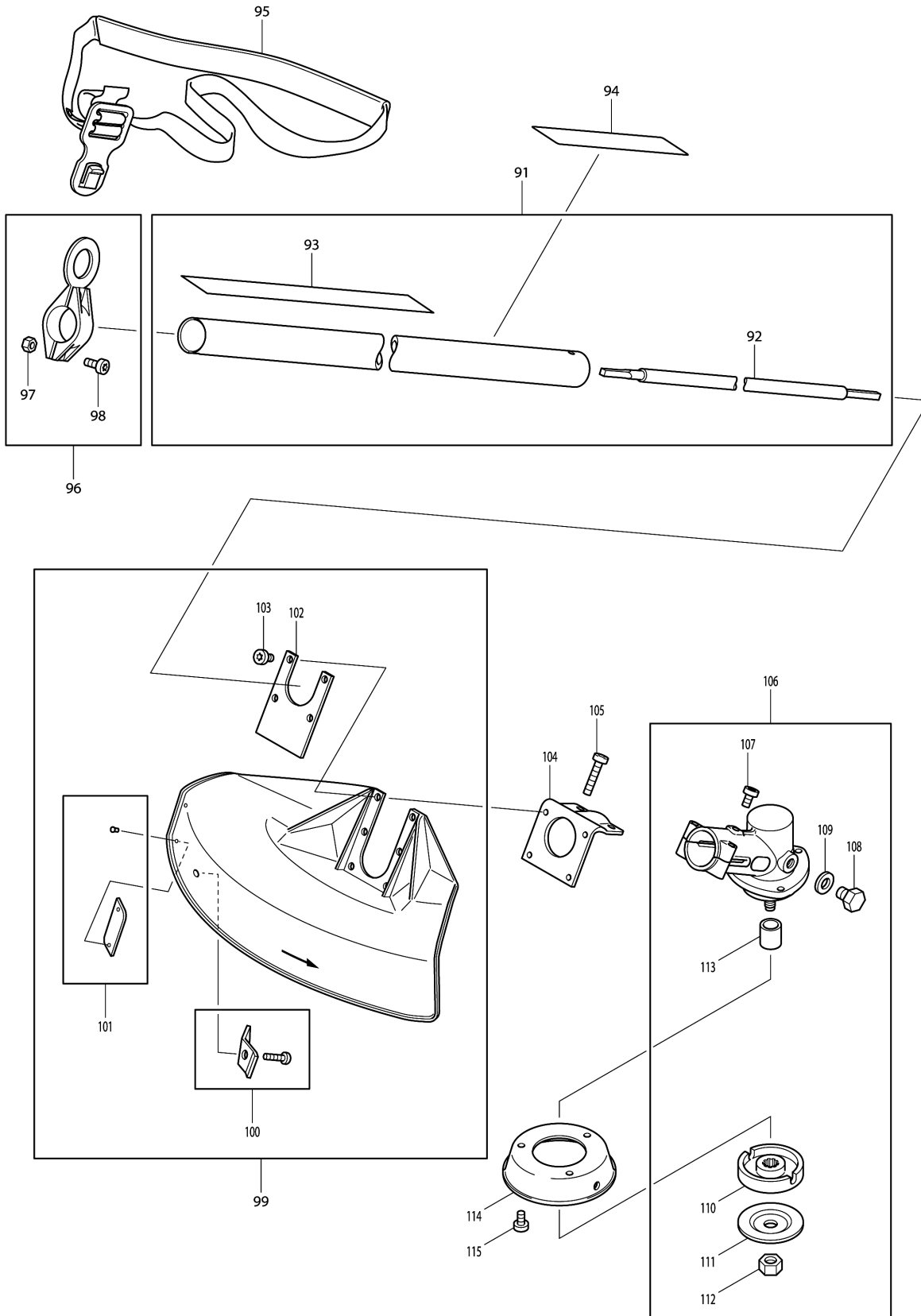
Model No.DBC300 BRUSH CUTTER



Model No.DBC300 BRUSH CUTTER



Model No.DBC300 BRUSH CUTTER



Model No.DBC300 BRUSH CUTTER

Item	Parts No.	Description	I/C	Qty	New/Old	Opt. 1	Opt. 2	Note
001	369118600	MOTOR HOOD CPL.		1				
D10		INC. 2,3,5-8,13						
002	369118651	MOTOR HOOD		1				
003	980114296	LABEL		1	*			
003-1	819063-3	MAKITA LABEL	O	1				
004	913205255	SCREW 5X25		4				
005	369118041	INSULATION		1				
006	965527100	GASKET		1				
007	957179010	REEDVALVE CPL.		1				
008	913540185	SCREW 4X18		1				
009	369114102	TANK ASSY.		1				
D10		INC. 10,11,28,31						
010	010114049	TANK PLUG CPL.		1				
011	965404220	VALVE		1	*			
011-1	965404222	AIR VALVE	O	1				
012	965404941	RUBBER BUFFER		1				
013	965404960	RUBBER BUFFER		1				
015	369118020	COVER		1				
016	904905605	SCREW M5X60		1				
017	369173050	AIR FILTER		1				
020	369173030	PLATE		1				
021	913750455	SCREW 5X45		2				
022	369155010	PRIMER PUMP		1				
023	963225020	O-RING 25X2		1				
024	369155020	CHOKE LEVER		1				
025	965527110	GASKET		1				
026	965452060	TUBE		1				
027	965452060	TUBE		1				
028	965404661	FUEL LINE		1				
029	001131030	NIPPLE		1				
031	963601380	SUCTION HEAD		1				
032	369131100	CYLINDER WITH MUFFLER CPL.		1				
033	369132021	PISTON WITH CON.ROD CPL 37MM		1				
D10		INC. 034						
034	021132030	PISTON RING 37MM		1				
035	913205255	SCREW 5X25		2				
036	965527081	GASKET		1				
037	369111030	CRANKCASE WITH C.SHAFT CPL.		1				
D10		INC. 38						
038	939615260	KEY		1				
039	928025005	CUP SPRING		2				
040	369141100	FLYWHEEL WITH S.RATCHET CPL.		1				
041	369143010	IGNITION COIL CPL.		1				
042	913204255	SCREW 4X25		2				

Please order the parts with part number.

Print Date 18/10/2023

Model No.DBC300 BRUSH CUTTER

Item	Parts No.	Description	I/C	Qty	New/Old	Opt. 1	Opt. 2	Note
043	965603021	SPARK PLUG BPMR7A		1	*			
043-1	168648-5	SPARK PLUG (BPMR7A)	O	1				
044	970311450	SHORT-CIRCUIT CABLE		1				
045	965605411	EARTHING TERMINAL		1				
046	369129010	SPACER		1				
047	369160362	STARTER CPL.		1				
D10		INC. 49-52						
047A_	369160604	STARTER CPL.		1				
D10		INC. 49-52						
048	369118072	COVER FOR SPARK PLUG		1				
049	965404710	STARTER GRIP		1				
050	985000150	STARTER ROPE 3.0MM L=100M		1				
051	369162021	CABLE DRUM		1				
052	369163101	REWIND SPRING		1				
053	369162050	GUIDE PIECE WITH SCREW		1				
054	913540185	SCREW 4X18		2				
055	913205255	SCREW 5X25		4				
056	369188011	STOP DISC		1				
057	369181110	CLUTCH(SET)		1				
058	369223101	CLUTCH DLUM CPL.		1				
059	369217611	CLUTCH CASE		1				
059A_	369217613	CLUTCH CASE		1				
060	913660254	SCREW 6X25		4				
061	965903080	CLAMPING RING		1				
062	908006255	H.L. SOCKET HEAD BOLT M6X25		1				
064	369153003	CARBURETOR CPL.		1				
D10		INC. 65,69,70						
065	010153100	REPAIR KIT		1				
D10		INC. 66-68						
066	001153180	SCREEN		1				
067	001153010	SCREW		1				
068	010153010	GASKET & DIAPHRAGM KIT		1				
D10		INC. 66-68						
069	001153190	SCREW		2				
070	001153020	SCREW		2				
071	369313103	OPERATING LEVER ASSY. 22		1				
D10		INC. 72-76,81						
072	369313290	HANDLE HALF,RIGHT,CPL		1				
073	369313080	HANDLE HALF,LEFT		1				
074	369311042	THROTTLE LEVER		1				
075	369311071	THROTTLE RETUNE SPRING		1				
076	975001210	SHORT CIRCUIT SWITCH		1				
077	915735100	PZ2 TAPPING SCREW 3.5X9.5		1	*			
077-1	251533-0	TAPPING SCREW 3.5X10	O	1				

Please order the parts with part number.

Print Date 18/10/2023

Model No.DBC300 BRUSH CUTTER

Item	Parts No.	Description	I/C	Qty	New/Old	Opt. 1	Opt. 2	Note
078	915735100	PZ2 TAPPING SCREW 3.5X9.5		1	*			
078-1	251533-0	TAPPING SCREW 3.5X10	O	1				
079	965903080	CLAMPING RING		1				
080	908006255	H.L. SOCKET HEAD BOLT M6X25		1				
081	369726010	BOWDEN CABLE CPL.		1				
082	980600100	CABLE STRAP		2				
083	980600100	CABLE STRAP		1				
084	387311100	GRIP LEFT		1				
085	369310051	HANDLE		1				
086	387310030	CLAMPING HOLDER		1				
087	369310020	CLAMPING HOLDER		1				
088	369310030	CLAMPING PIECE		1				
089	913205255	SCREW 5X25		4				
090	913205255	SCREW 5X25		2				
091	010261040	MAIN PIPE ASSY.		1				
D10		INC. 92,93						
092	369228140	TRANSMISSION SHAFT		1				
093	980114484	LABEL		1				
094	980114148	LABEL		1				
095	369260300	SHOULDER HARNESS		1				
096	957260010	HARNESS ATTACHMENTO CPL.		1				
D10		INC. 97,98						
097	920205000	HEX. NUT M5		2				
098	908005125	H.L. SOCKET HEAD BOLT M5X12		2	*			
098-1	266946-2	H.L. SOCKET HEAD BOLT M5X12	O	2				
099	010341202	PROTECTION HOOD SET		1				
D10		INC. 100-103						
100	957341010	LINE CUTTER		1				
101	957341020	PROT. HOOD REINFORCEMENT CPL.		1				
102	385341021	PLATE		1				
103	908005095	H.L. SOCKET HEAD BOLT M5X9		4	*			
103-1	266474-7	H.L. SOCKET HEAD BOLT M5X9	O	4				
104	387341031	PROTECTION HOOD MOUNT		1				
105	908005255	H.L. SOCKET HEAD BOLT M5X25		2	*			
105-1	266984-4	H.L. SOCKET HEAD BOLT M5X25	O	2				
106	369200200	GEAR CPL.		1				
D10		INC. 107-113						
107	908005095	H.L. SOCKET HEAD BOLT M5X9		1	*			
107-1	266474-7	H.L. SOCKET HEAD BOLT M5X9	O	1				
108	900208104	BOLT M10X1.25X10 (FINE THREAD)		1				
109	963604306	GASKET		1				

Please order the parts with part number.

Print Date 18/10/2023

Model No.DBC300 BRUSH CUTTER

Item	Parts No.	Description	I/C	Qty	New/Old	Opt. 1	Opt. 2	Note
110	387224011	RECEIVE WASHER		1				
111	387224020	PRESSURE DISC		1				
112	387228040	BLADE NUT M10X1.25LH		1				
113	387228020	SPACER RING		1				
114	387224050	WINDING PREVENTER		1				
115	908005095	H.L. SOCKET HEAD BOLT M5X9		3	*			
115-1	266474-7	H.L. SOCKET HEAD BOLT M5X9	O	3				

Please order the parts with part number.

Print Date 18/10/2023