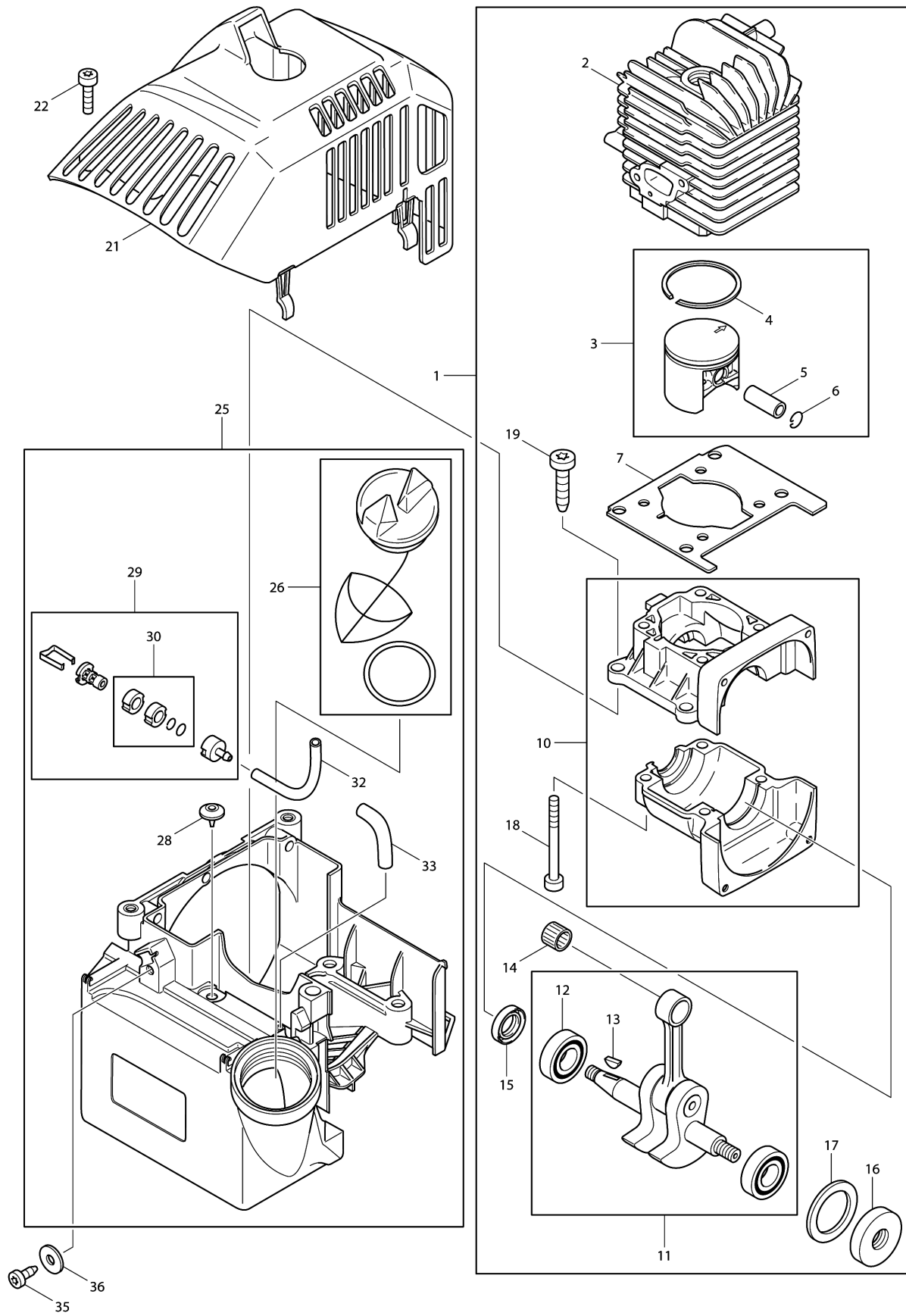
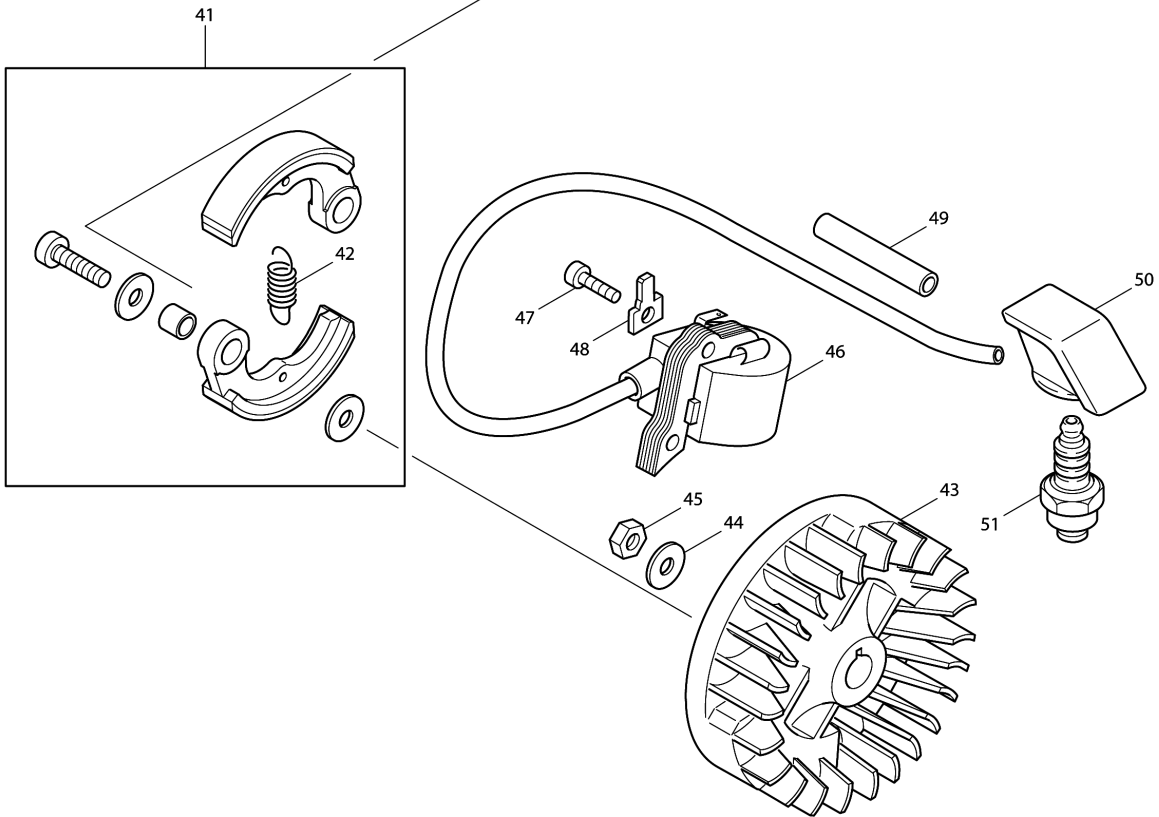
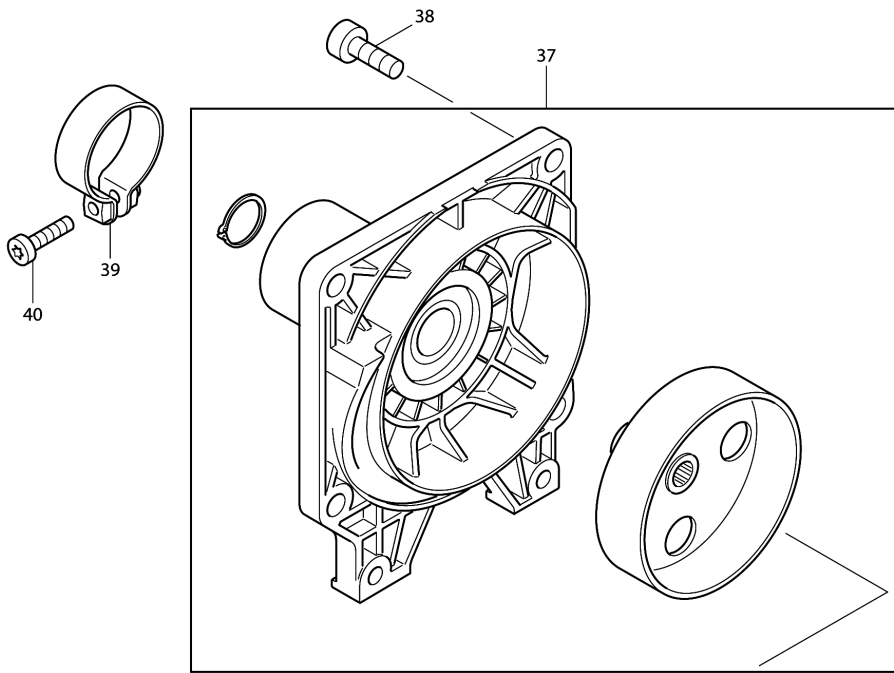


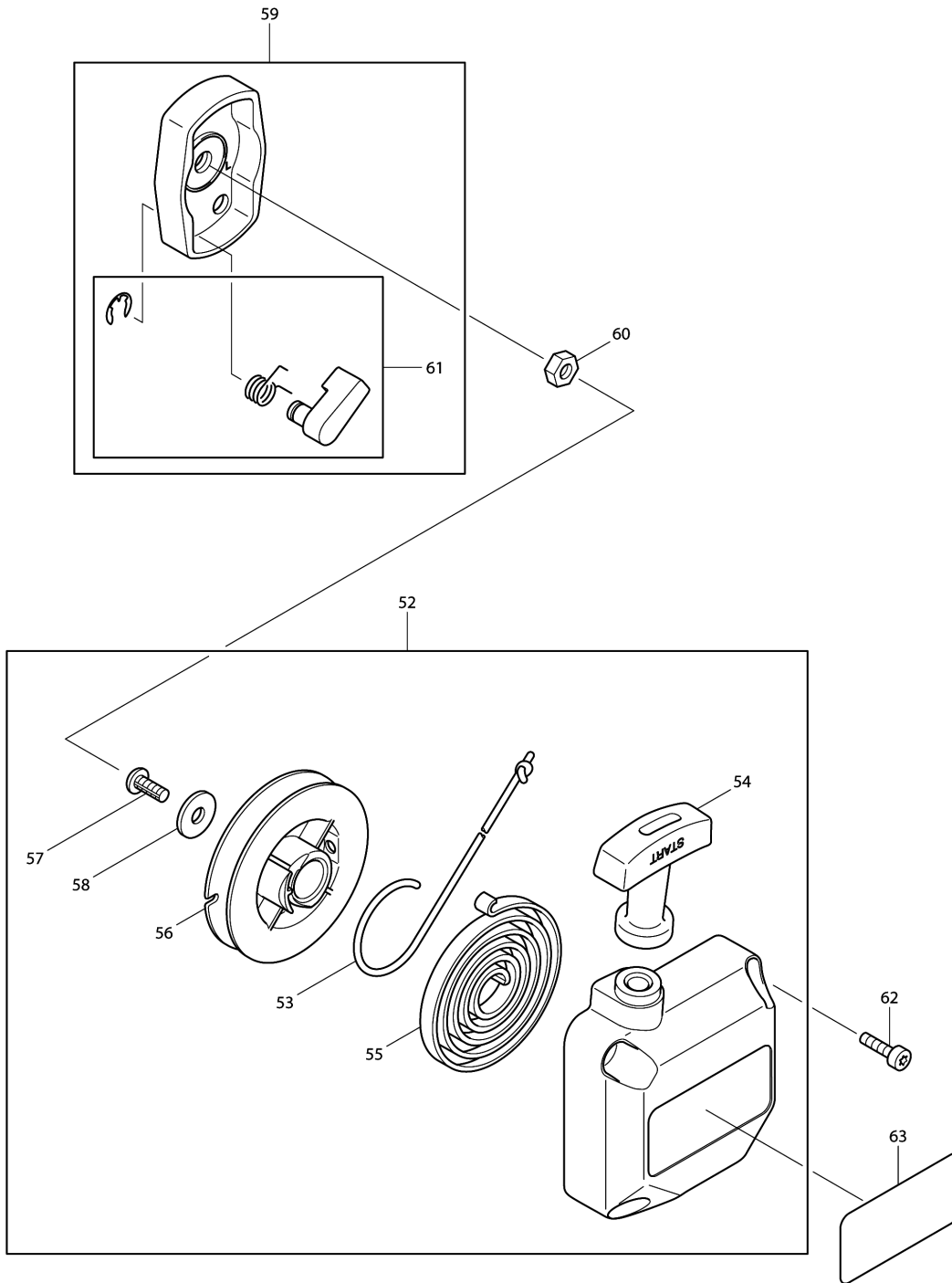
Model No.DBC340 BRUSH CUTTER



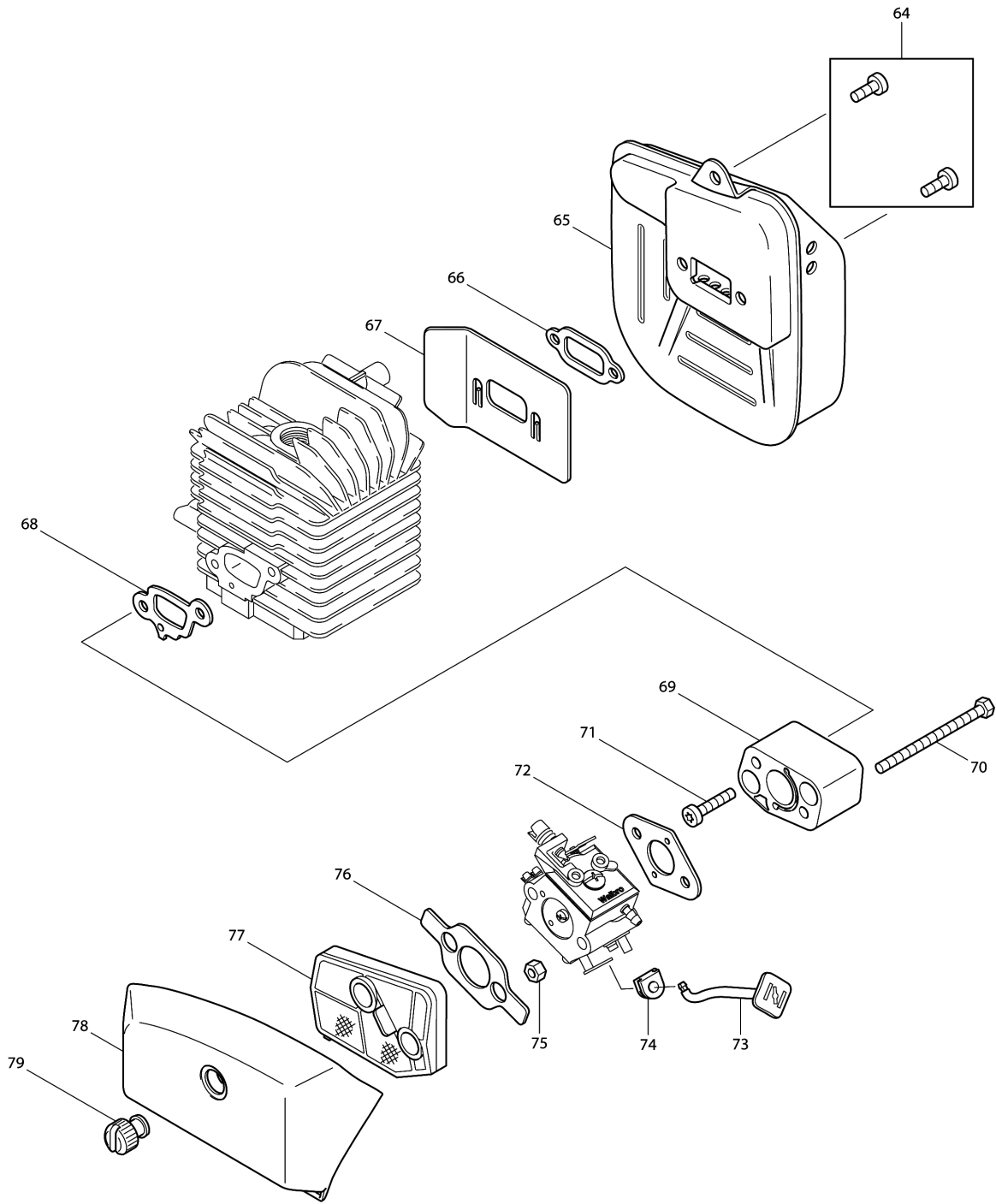
Model No.DBC340 BRUSH CUTTER



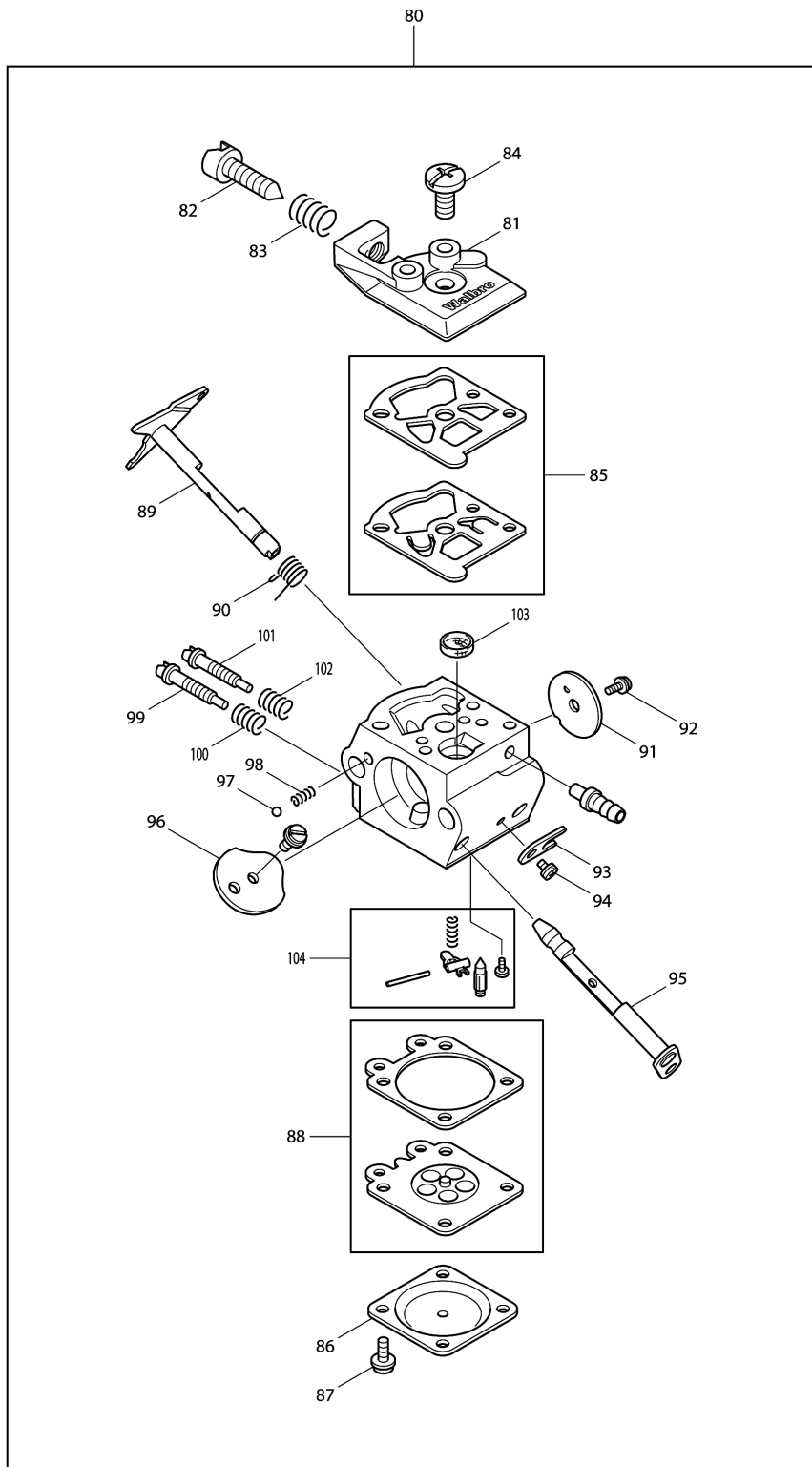
Model No.DBC340 BRUSH CUTTER



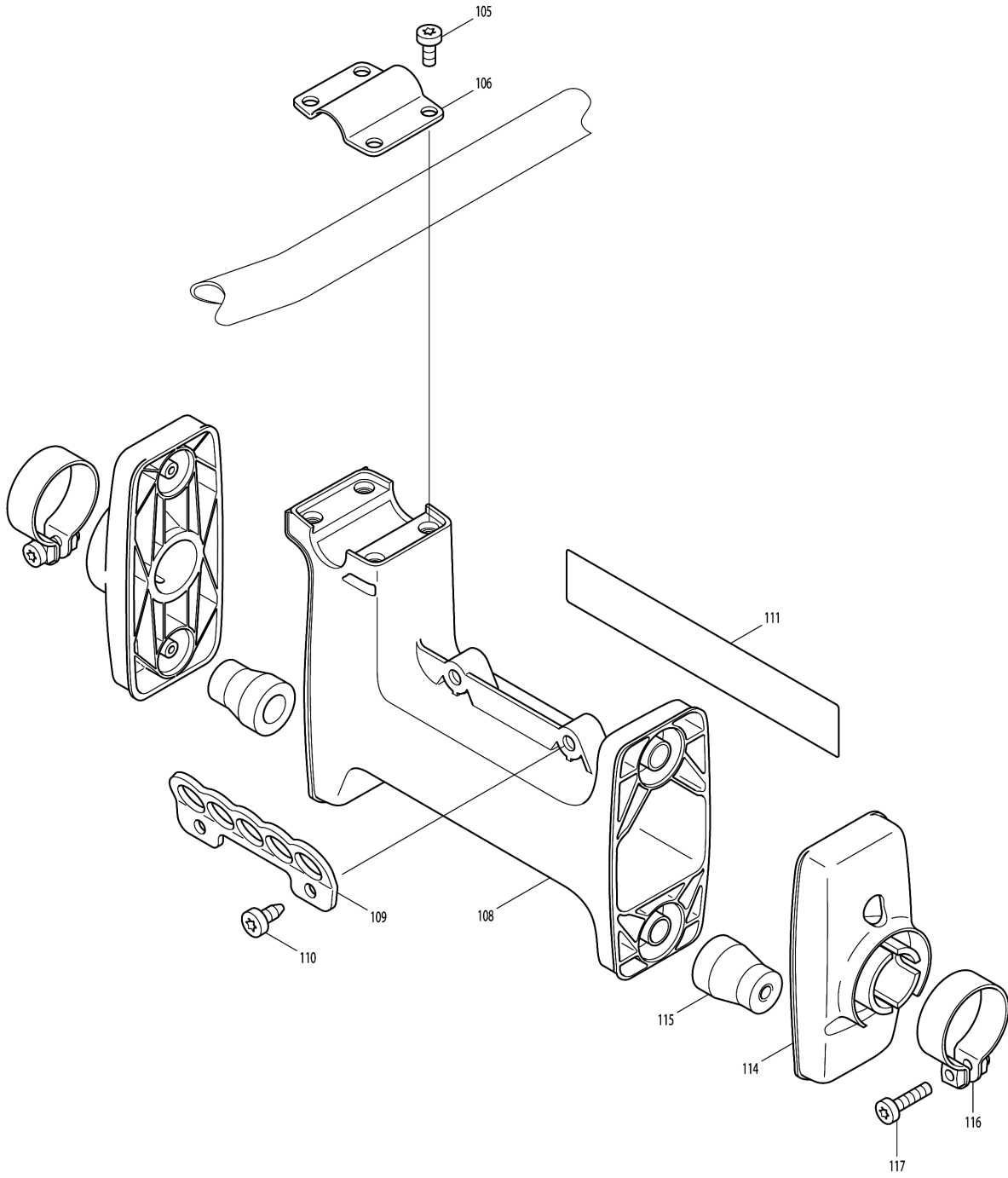
Model No.DBC340 BRUSH CUTTER



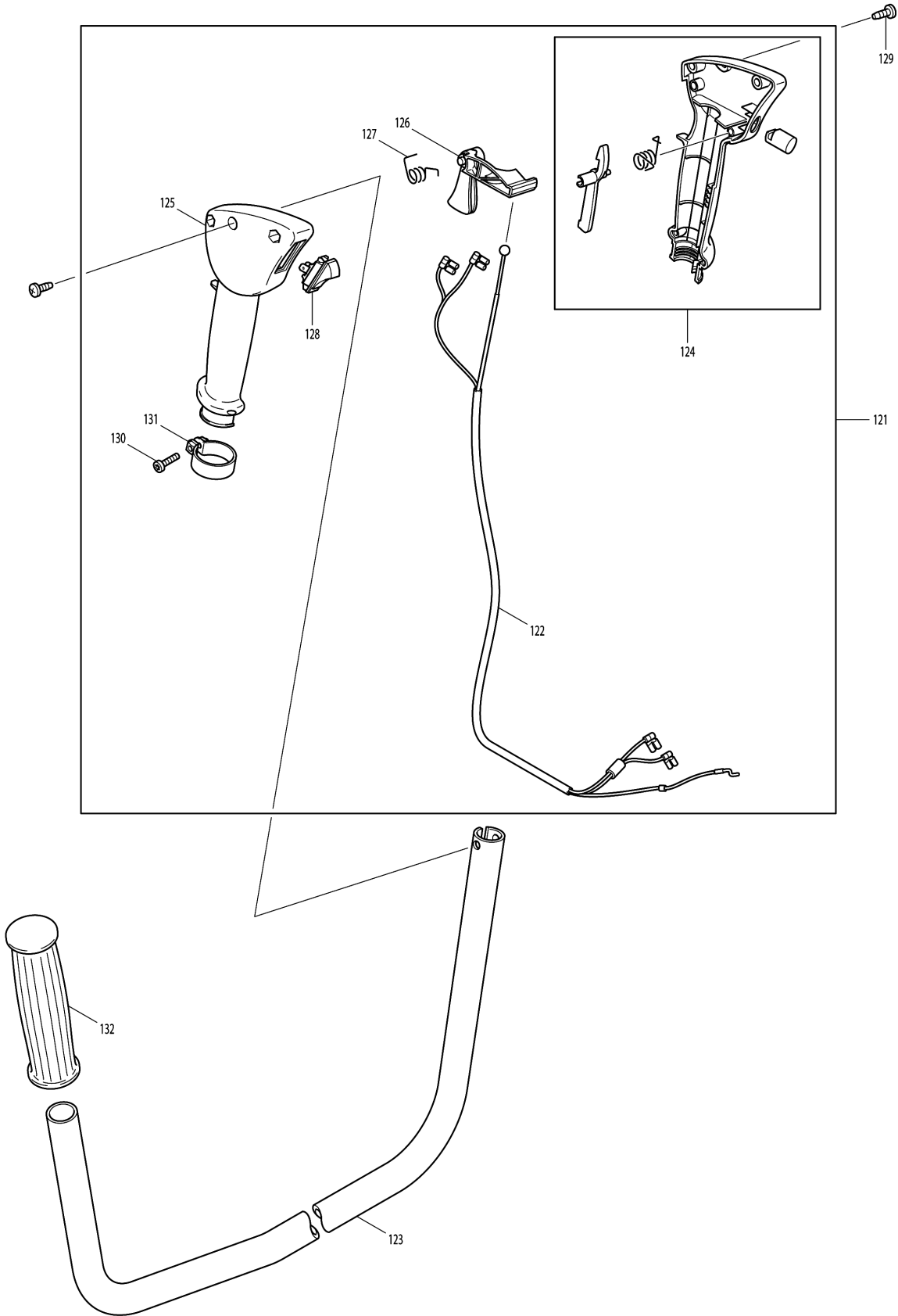
Model No.DBC340 BRUSH CUTTER



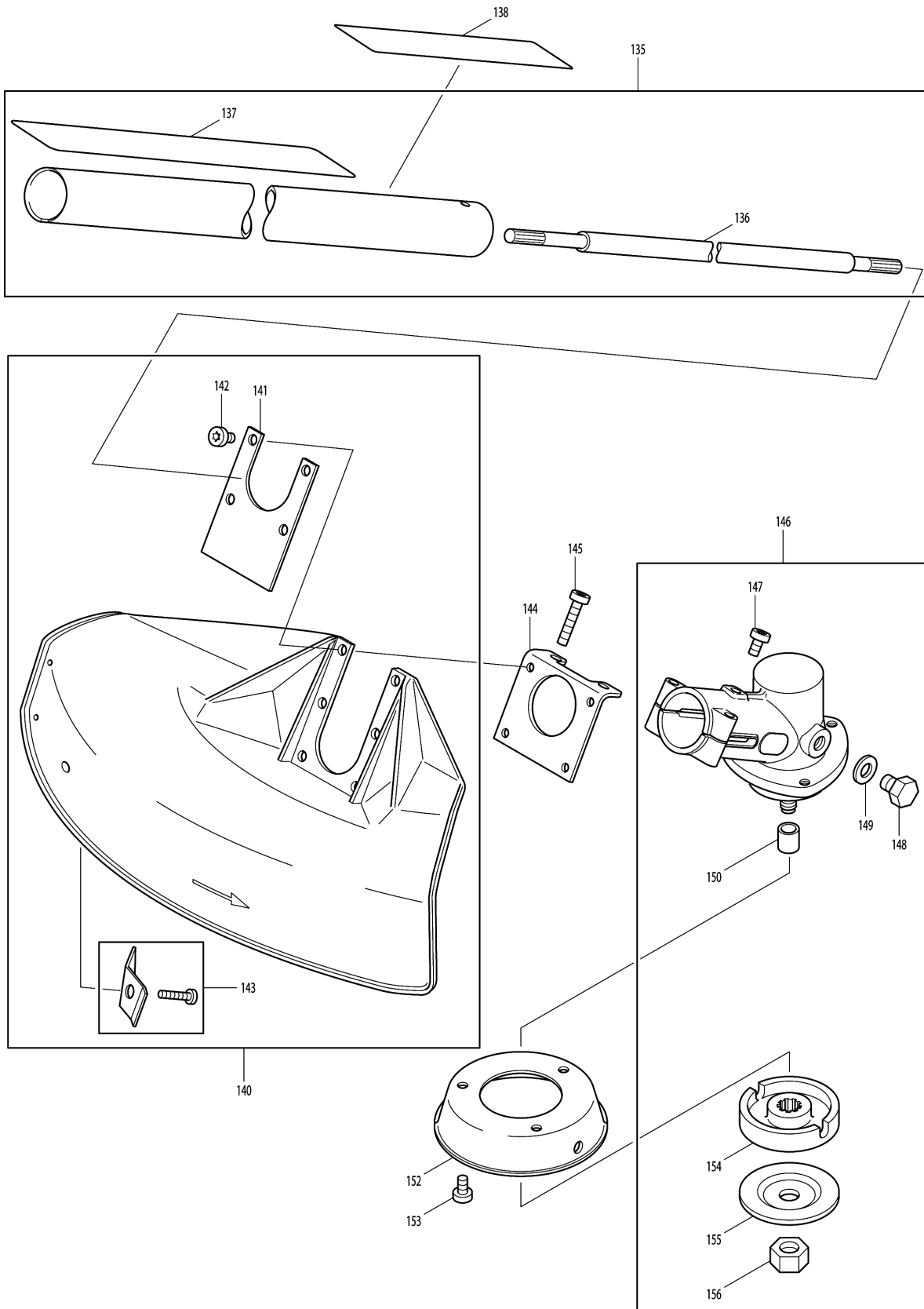
Model No.DBC340 BRUSH CUTTER



Model No.DBC340 BRUSH CUTTER



Model No.DBC340 BRUSH CUTTER



Model No.DBC340 BRUSH CUTTER

Item	Parts No.	Description	I/C	Qty	New/Old	Opt. 1	Opt. 2	Note
001	384100100	SHORT BLOCK 33ML		1				
D10		INC. 2,3,7,10,11,14-19						
002	384131011	CYLINDER 37MM		1				
003	957132384	PISTON ASSY.		1				
D10		INC. 4-6						
004	021132030	PISTON RING 37MM		1				
005	385132030	PISTON PIN		1				
006	385132040	SPRING RING		2				
007	965527010	GASKET		1				
010	385111100	CRANKCASE ASSY.		1				
011	385120100	CRANK SHAFT ASSY		1				
D10		INC. 12,13						
012	960102129	BALLBEARING 6201		2				
013	939620371	KEY		1				
014	962211033	NEEDLE CAGE		1				
015	962900057	OIL SEAL 12		1				
016	962900024	RADIAL RING		1				
017	900006217	DISC		1				
018	908505555	H.L. SOCKET HEAD BOLT M5X55		4	*			
018-1	266480-2	H.L. SOCKET HEAD BOLT M5X55	O	4				
019	913467304	SCREW 6.7X30		4				
021	387118011	HOOD		1				
022	908605205	H.L. SOCKET HEAD BOLT M5X20		2	*			
022-1	266942-0	H.L. SOCKET HEAD BOLT M5X20	O	2				
025	387110101	MOTOR HOUSING CPL.		1				
D10		INC. 26,28,29,32,33						
026	010114090	FUELTANK PLUG CPT.		1				
028	965404220	VALVE		1	*			
028-1	965404222	AIR VALVE	O	1				
029	010114010	SUCTION HEAD(FUEL)		1	*			
D10		INC. 30			*			
029-1	163499-1	SUCTION HEAD	O	1				
D10		INC. 30						
030	010114020	REP.KIT, FILTER(FELT ELEMENT)		1	*			
032	965452380	VENTILATION LINE		1	*			
032-1	965452382	OIL RESISTANT HOSE D=3MM L=1M	O	1				
033	965452470	FUEL TUBE L=1M		1				
035	913447134	SCREW 4.7X13		1				
036	924805300	DISC		1				
037	387217600	CLUTCH CASE ASSY.		1				
038	913467254	SCREW 6.7X25		4				
039	965903080	CLAMPING RING		1				

Please order the parts with part number.

Print Date 18/10/2023

Model No.DBC340 BRUSH CUTTER

Item	Parts No.	Description	I/C	Qty	New/Old	Opt. 1	Opt. 2	Note
040	908006255	H.L. SOCKET HEAD BOLT M6X25		1				
041	010181000	CLUTCH SHOE,SET		1				
D10		INC. 42						
042	385184020	SPRING		1				
043	385141011	FLYWHEEL		1				
044	928308001	SPRING WASHER 8X17		1				
045	920308024	HEX. NUT M8X1 (FINE THREAD)		1	*			
045-1	264022-6	HEX. NUT M8X1	O	1				
046	385143030	IGNITION COIL		1				
047	908605205	H.L. SOCKET HEAD BOLT M5X20		2	*			
047-1	266942-0	H.L. SOCKET HEAD BOLT M5X20	O	2				
048	965605411	EARTHING TERMINAL		1				
049	970502110	INSULATING TUBE 6 L=1M		1	*			
049-1	970502120	INSULATING TUBE	O	1				
050	385147100	PLUG CAP WITH SPRING		1				
051	965603021	SPARK PLUG BPMR7A		1	*			
051-1	168648-5	SPARK PLUG (BPMR7A)	O	1				
052	387160101	STARTER		1				
D10		INC. 53-58						
053	985000150	STARTER ROPE 3.0MM L=100M		1				
054	957404691	STARTER GRIP		1				
055	387163010	MAIN SPRING		1				
056	387162020	CABLE DRUM		1				
057	385161010	SCREW		1				
058	387161030	WASHER 5		1				
059	387166050	STARTER RATCHET BASE		1				
D10		INC. 61						
060	920308024	HEX. NUT M8X1 (FINE THREAD)		1	*			
060-1	264022-6	HEX. NUT M8X1	O	1				
061	957166387	STARTER RATCHET SET(2PCS EACH)		1				
062	908605205	H.L. SOCKET HEAD BOLT M5X20		4	*			
062-1	266942-0	H.L. SOCKET HEAD BOLT M5X20	O	4				
063	980114217	LABEL		1				
064	908405145	H.L. SOCKET HEAD BOLT M5X14		3	*			
064-1	266986-0	H.L. SOCKET HEAD BOLT M5X14	O	3				
065	385174101	MUFFLER COMPLETE		1				
066	965527040	MUFFLER GASKET		1				
067	385174011	COOLING PLATE		1				
068	965527030	CARBURETOR INSULATOR GASKET		1				
069	385131050	CARBURETOR INSULATOR		1				
070	900105704	SCREW M5X70		2				

Please order the parts with part number.

Print Date 18/10/2023

Model No.DBC340 BRUSH CUTTER

Item	Parts No.	Description	I/C	Qty	New/Old	Opt. 1	Opt. 2	Note
071	908005255	H.L. SOCKET HEAD BOLT M5X25		2	*			
071-1	266984-4	H.L. SOCKET HEAD BOLT M5X25	O	2				
072	965527020	CARBURETOR GASKET		1				
073	031150730	CHOKE LEVER		1				
074	965401016	SEMI-CYLINDRICAL GROMMET		1	*			
074-1	424696-7	RUBBER GROMMET	O	1				
075	920205000	HEX. NUT M5		2				
076	965527060	AIR FILTER GASKET		1				
077	385173100	AIR FILTER		1				
078	387118020	COVER		1				
079	001118062	SLOTTED CAP NUT M5		1				
080	387151000	CARBURETOR CPL.		1				
D10		INC. 81-103						
081	021151160	PUMP COVER		1				
082	001151400	IDLE STOP SCREW		1				
083	021151230	PRESSURE SPRING		1				
084	118151190	SCREW		1				
085	957151010	PUMP DIAPHRAGM,SET		1				
086	021151120	DIAPHRAGM COVER		1				
087	118151020	SCREW		4				
088	957151020	METERING DIAPHRAGM ,SET		1				
089	385151040	THROTTLE SHAFT		1				
090	371151310	SPRING		1				
091	001151680	THROTTLE SHUTTER		1				
092	118151060	SCREW		2				
093	108151350	SHAFT CLIP		1				
094	118151020	SCREW		1				
095	387151100	CHOKE SHAFT ASSY		1				
096	001151350	CHOKE SHUTTER		1				
097	118151170	LOCKING BALL		1				
098	118151160	LOCKING SPRING		1				
099	001151420	MAIN ADJUSTMENT SCREW(H)		1				
100	021151530	SPRING(H)		1				
101	001151410	IDLING ADJUSTMENT SCREW(L)		1				
102	021151480	SPRING		1				
103	021151180	SCREEN		1				
104	957150040	SET OF CONTROL PARTS		1				
105	387310030	CLAMPING HOLDER		1				
106	908006145	H.L. SOCKET HEAD BOLT M6X14		4				
108	387310620	HANDLE HOLDER		1				
109	385316010	ORIFICE PLATE		1				
110	913467164	SCREW 6.7X16		2	*			
110-1	251492-8	H.L.TAPPING SCREW 6.7X16	O	2				

Please order the parts with part number.

Print Date 18/10/2023

Model No.DBC340 BRUSH CUTTER

Item	Parts No.	Description	I/C	Qty	New/Old	Opt. 1	Opt. 2	Note
111	980114327	LABEL		1				
114	387310610	CLAMPING PIECE		2				
115	965403380	ANTI VIBRATION RUBBER BUSH		4				
116	965903080	CLAMPING RING		2				
117	908006255	H.L. SOCKET HEAD BOLT M6X25		2				
121	369313202	OPERATING LEVER ASSY.		1				
D10		INC. 122,124-128,130,131						
122	385726070	BOWDEN CABLE CPL.		1				
123	385310161	HANDLE		1				
124	369313290	HANDLE HALF,RIGHT,CPL		1				
125	369313080	HANDLE HALF,LEFT		1				
126	369311080	THROTTLE LEVER		1				
127	369311071	THROTTLE RETUNE SPRING		1				
128	975001210	SHORT CIRCUIT SWITCH		1				
129	915735100	PZ2 TAPPING SCREW 3.5X9.5		2	*			
129-1	251533-0	TAPPING SCREW 3.5X10	O	2				
130	965903080	CLAMPING RING		1				
131	908006255	H.L. SOCKET HEAD BOLT M6X25		1				
132	387311100	GRIP LEFT		1				
135	010261030	MAIN PIPE ASSY		1				
D10		INC. 136,137						
136	387228030	DRIVE SHAFT		1				
137	980114148	LABEL		1				
138	980114148	LABEL		1				
140	010341202	PROTECTION HOOD SET		1				
141	385341021	PLATE		1				
D10		INC. 141-143						
142	908005095	H.L. SOCKET HEAD BOLT M5X9		4	*			
142-1	266474-7	H.L. SOCKET HEAD BOLT M5X9	O	4				
143	957341010	LINE CUTTER		1				
144	387341030	FLANGE PLATE		1				
145	908005255	H.L. SOCKET HEAD BOLT M5X25		2	*			
145-1	266984-4	H.L. SOCKET HEAD BOLT M5X25	O	2				
146	387200201	GEAR CPL.		1				
D10		INC. 147-150,154-156						
147	908005095	H.L. SOCKET HEAD BOLT M5X9		1	*			
147-1	266474-7	H.L. SOCKET HEAD BOLT M5X9	O	1				
148	900208104	BOLT M10X1.25X10 (FINE THREAD)		1				
149	963604306	GASKET		1				
150	387228020	SPACER RING		1				
152	387224050	WINDING PREVENTER		1				

Please order the parts with part number.

Print Date 18/10/2023

Model No.DBC340 BRUSH CUTTER

Item	Parts No.	Description	I/C	Qty	New/Old	Opt. 1	Opt. 2	Note
153	908005095	H.L. SOCKET HEAD BOLT M5X9		3	*			
153-1	266474-7	H.L. SOCKET HEAD BOLT M5X9	O	3				
154	387224011	RECEIVE WASHER		1				
155	387224020	PRESSURE DISC		1				
156	387228040	BLADE NUT M10X1.25LH		1				

Please order the parts with part number.

Print Date 18/10/2023