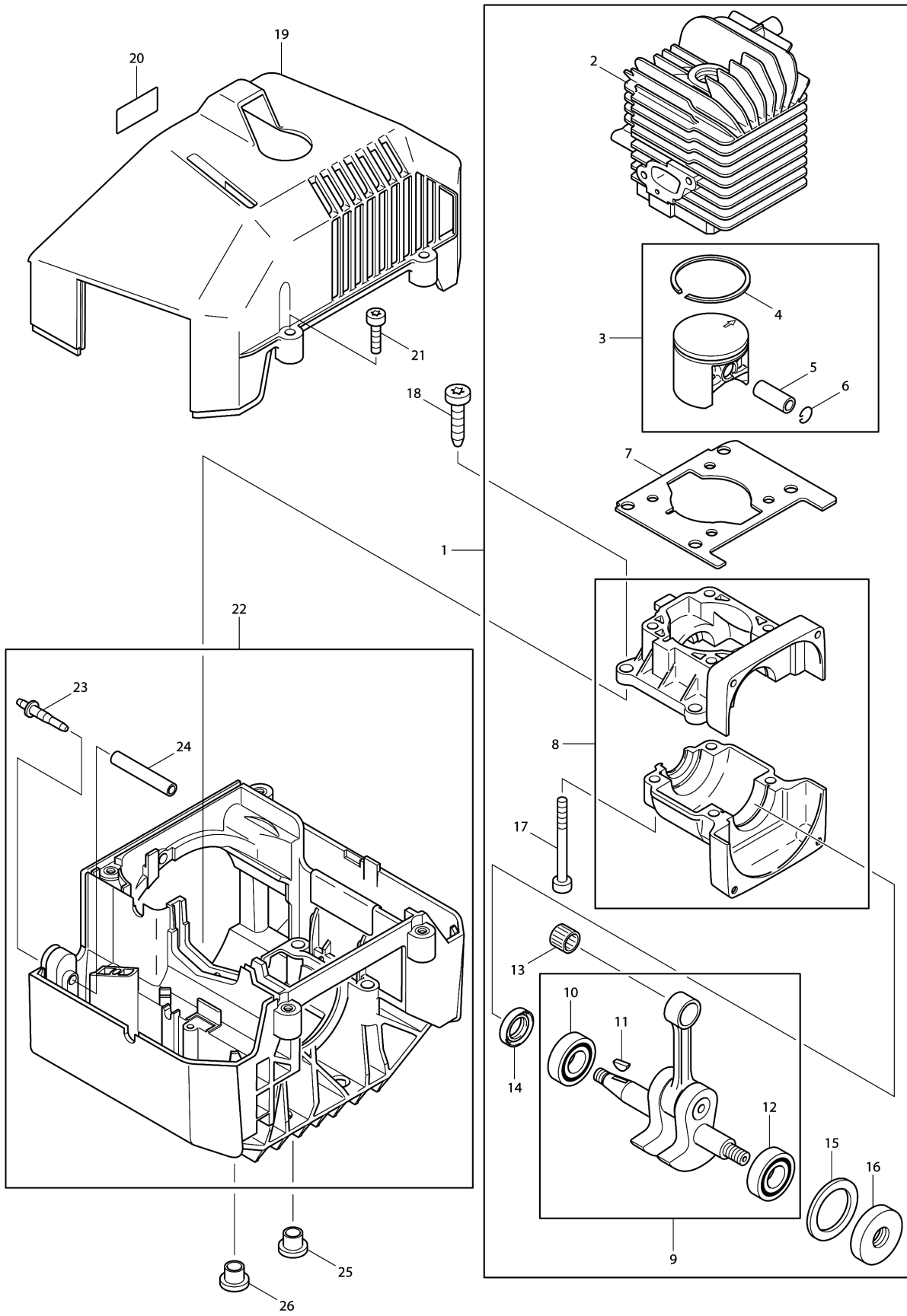
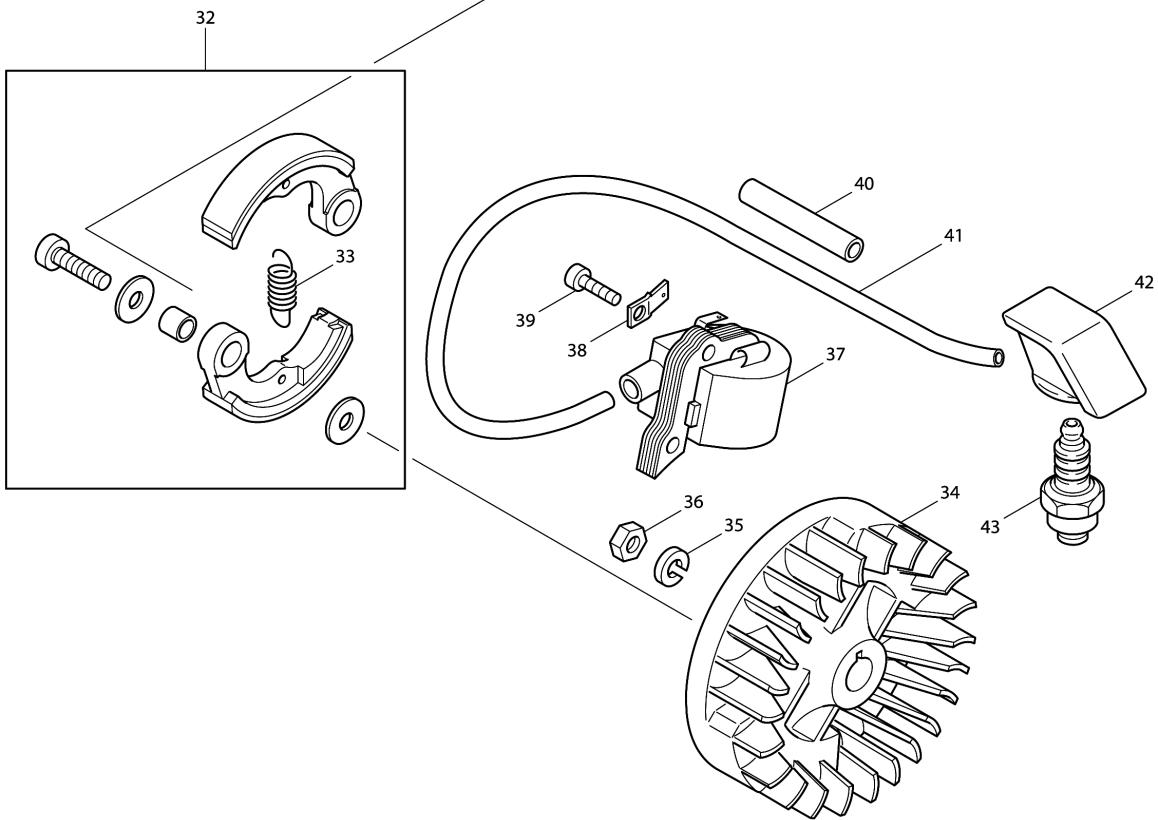
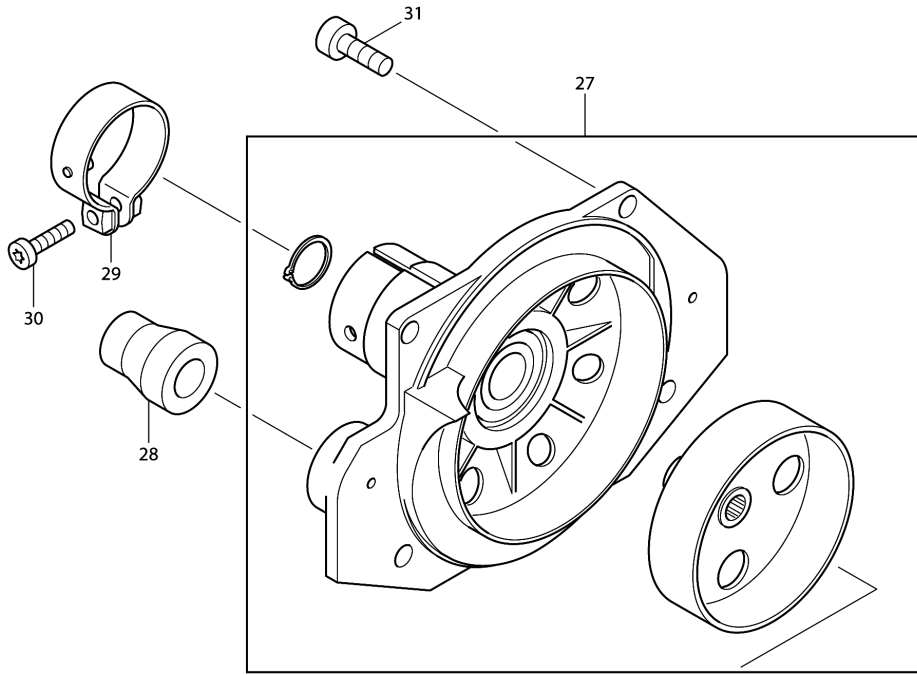


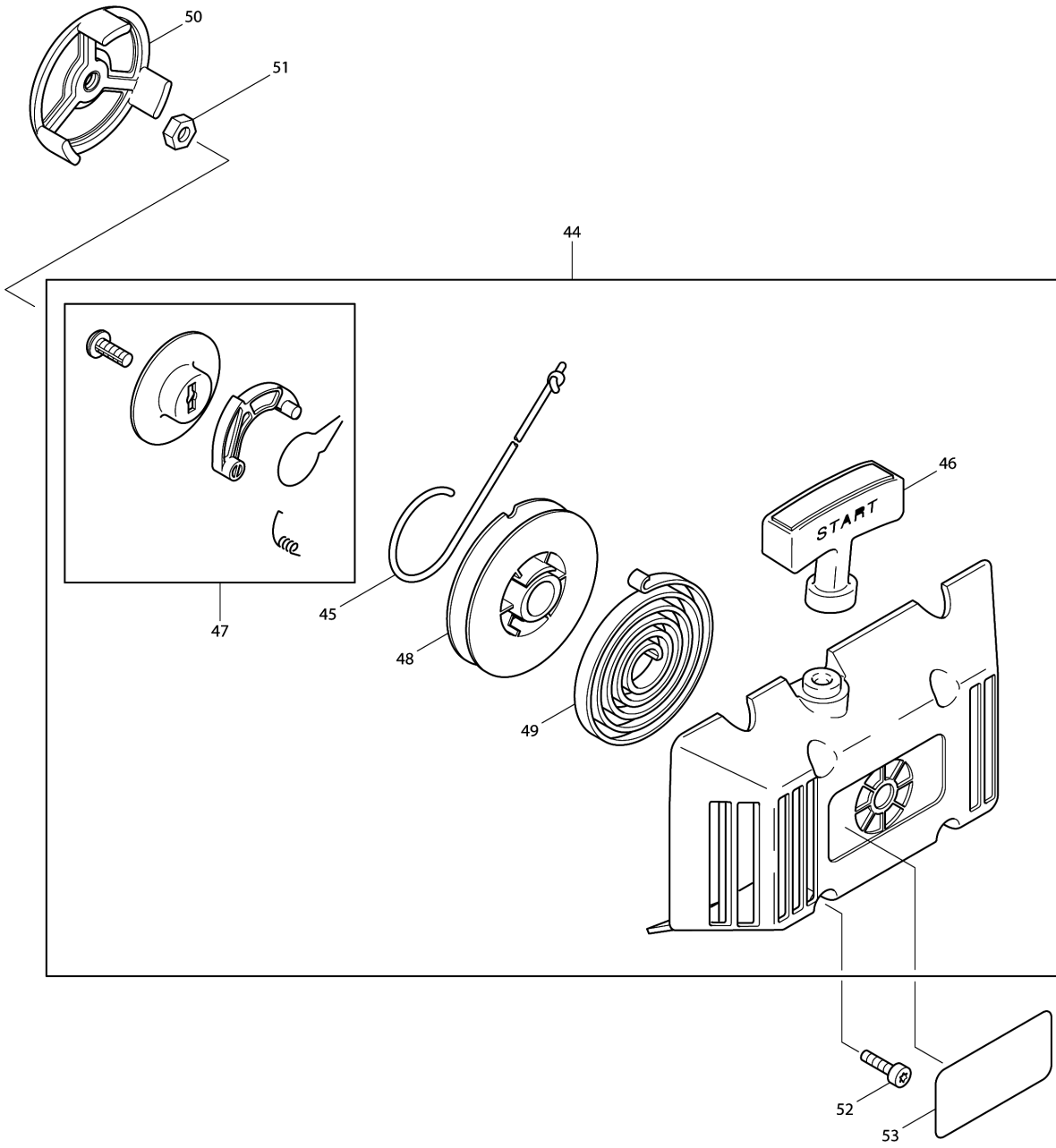
Model No.DBC4510 BRUSH CUTTER



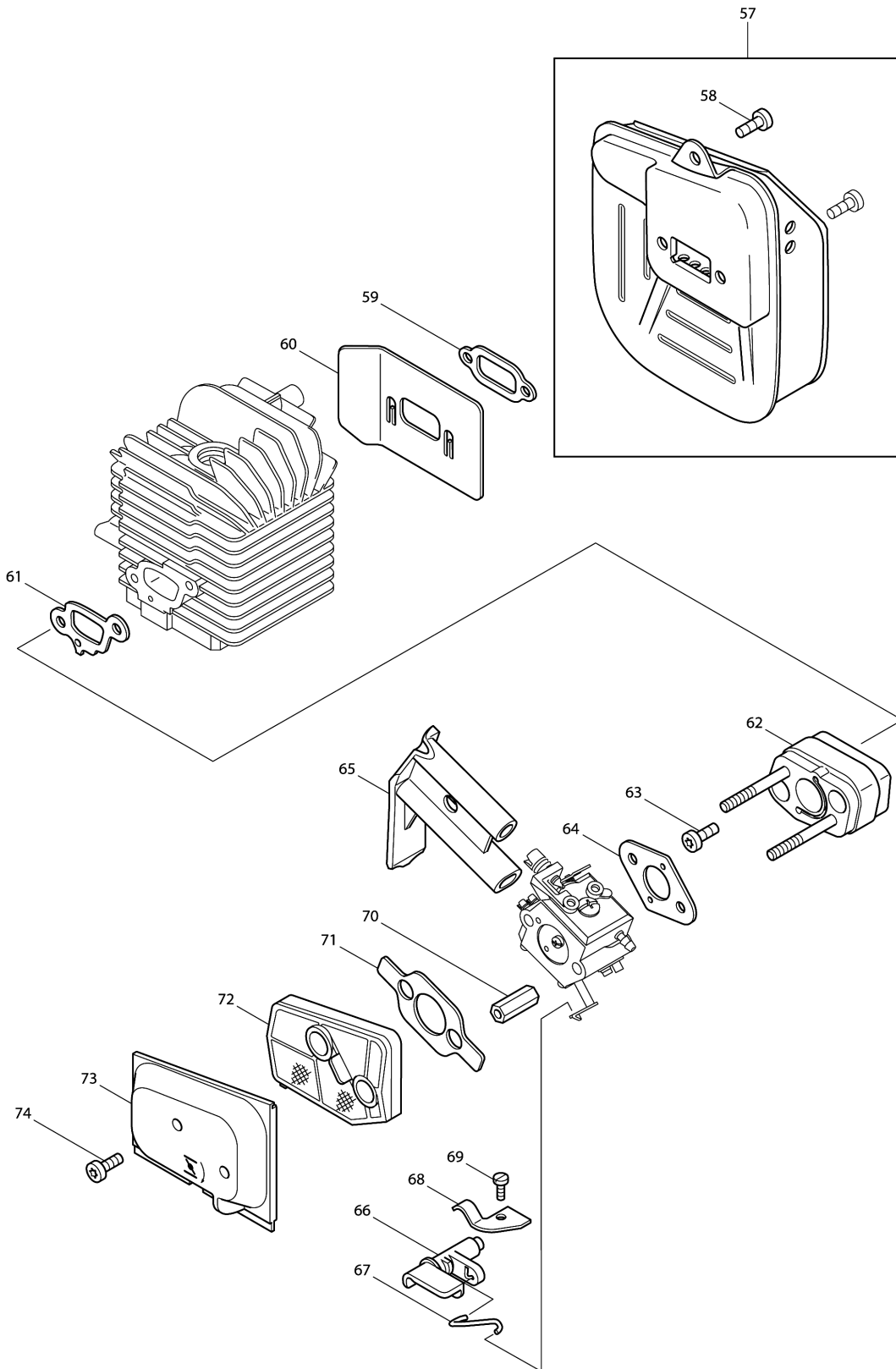
Model No.DBC4510 BRUSH CUTTER



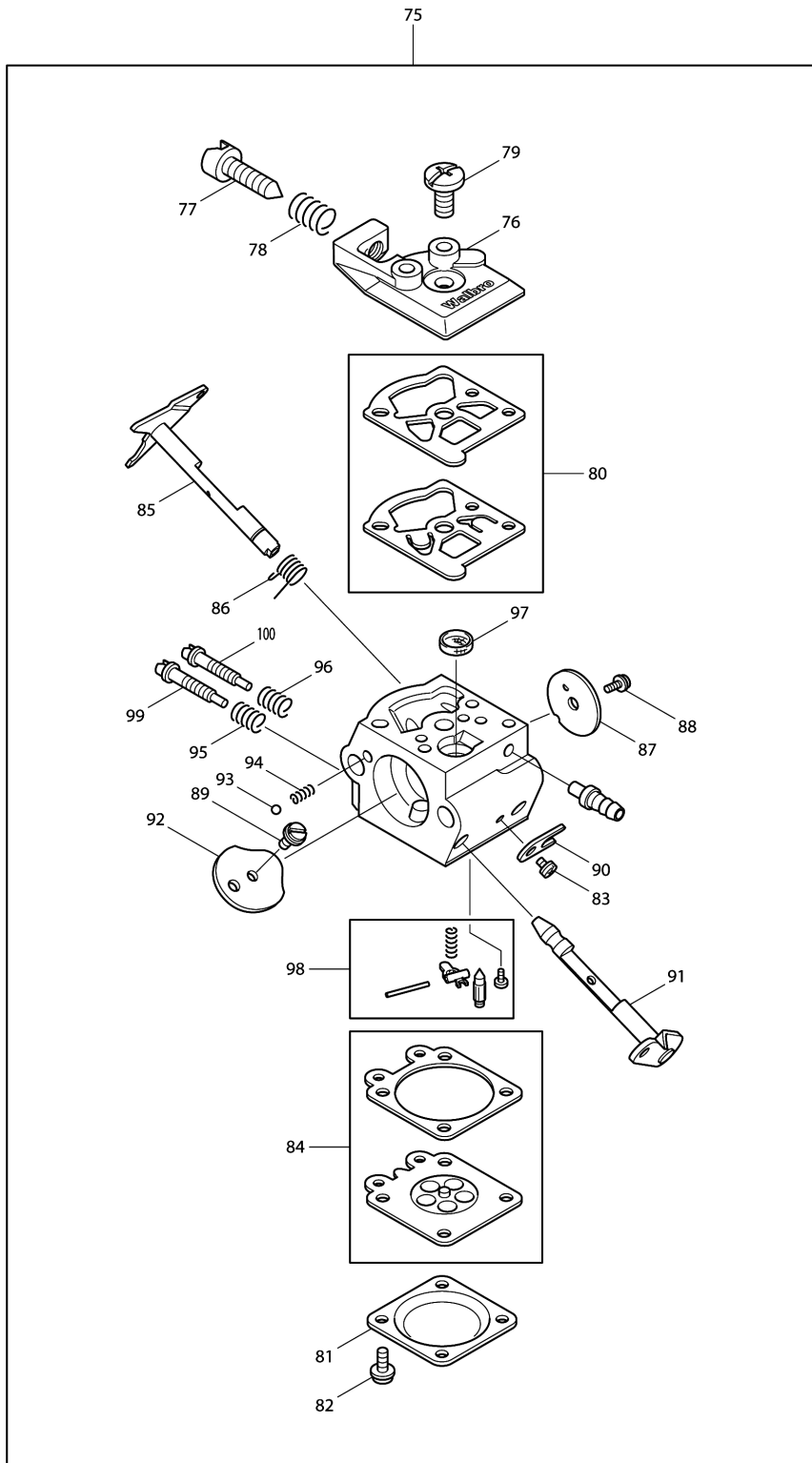
Model No.DBC4510 BRUSH CUTTER



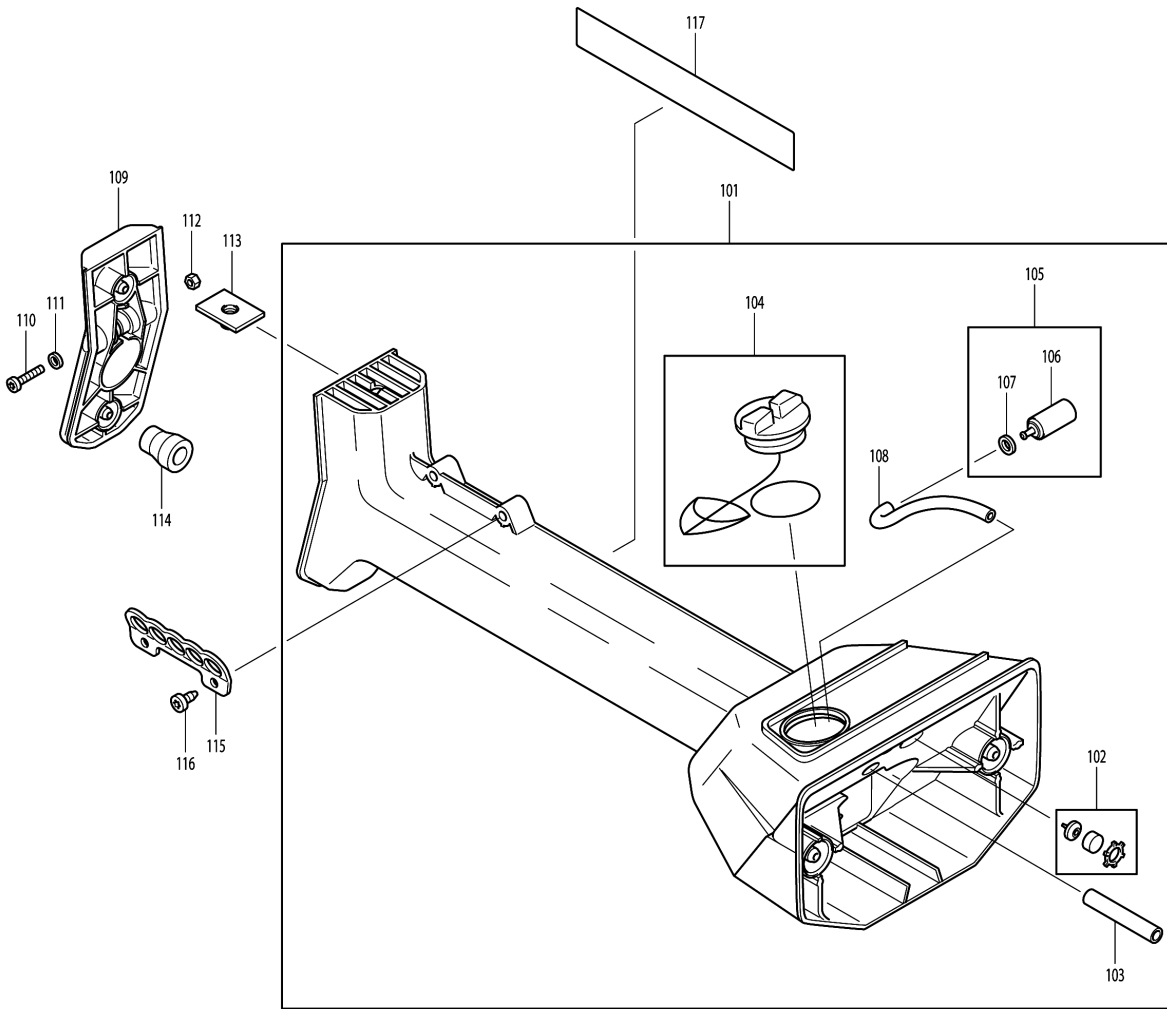
Model No.DBC4510 BRUSH CUTTER



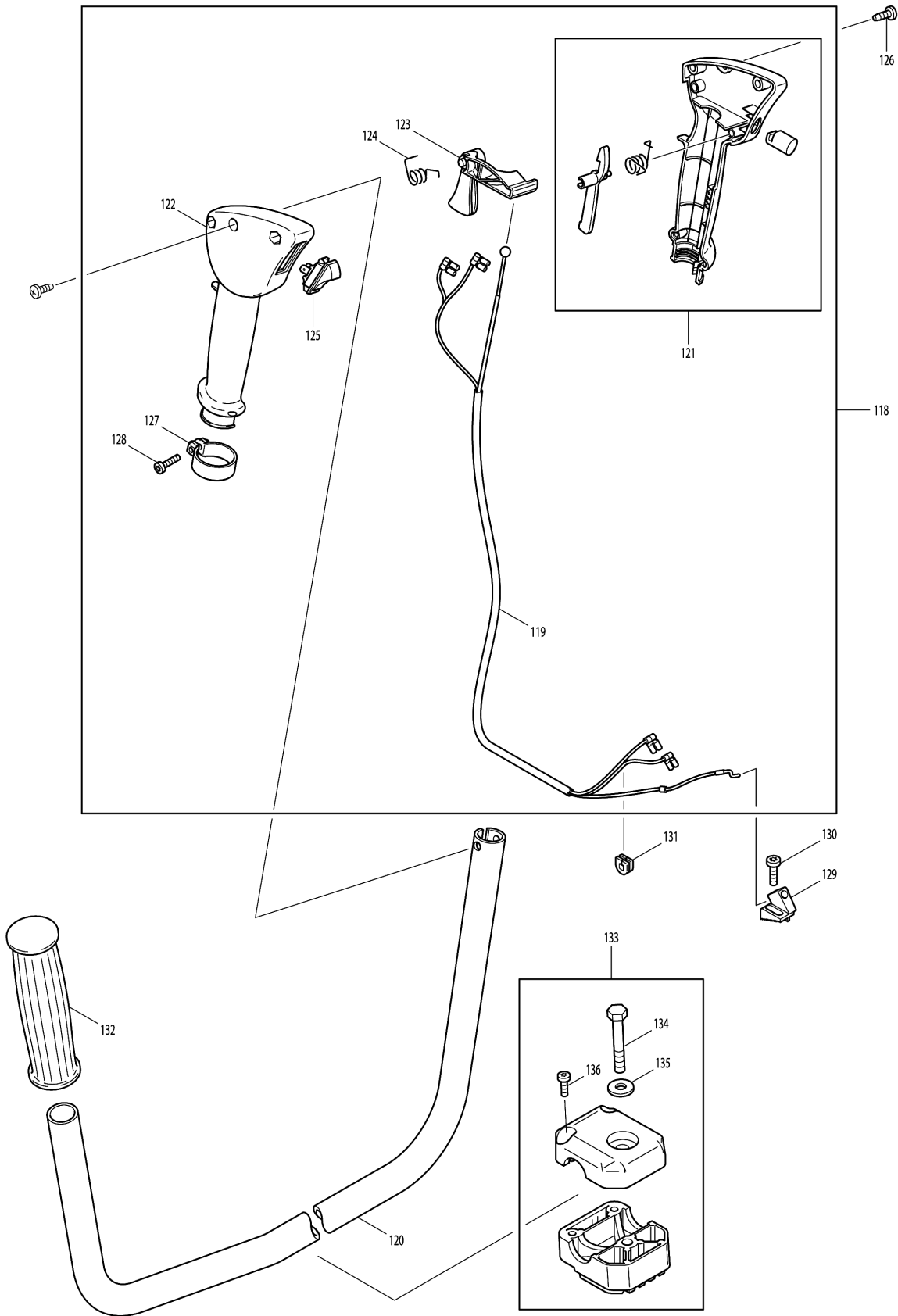
Model No.DBC4510 BRUSH CUTTER



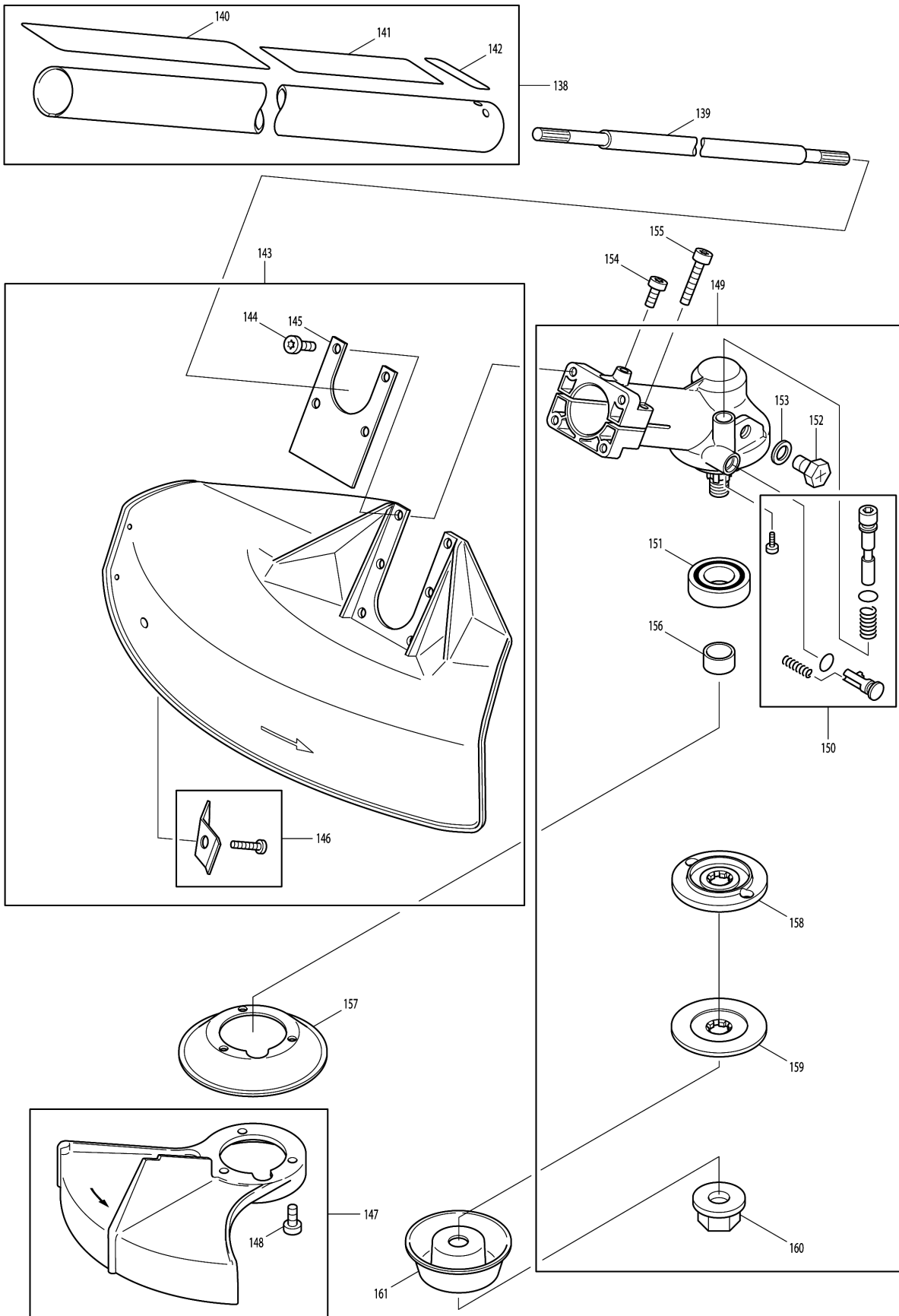
Model No.DBC4510 BRUSH CUTTER



Model No.DBC4510 BRUSH CUTTER



Model No.DBC4510 BRUSH CUTTER



Model No.DBC4510 BRUSH CUTTER

Item	Parts No.	Description	I/C	Qty	New/Old	Opt. 1	Opt. 2	Note
001	386100100	SHORT BLOCK 45ML		1				
D10		INC. 2,3,6-9,13-17						
002	386131010	CYLINDER 43ML		1				
003	386132000	PISTON ASSY43MM		1				
D10		INC. 4,5						
004	386132010	PISTON RING 43MM		1				
005	385132030	PISTON PIN		1				
006	385132040	SPRING RING		2				
007	965527010	GASKET		1				
008	385111100	CRANKCASE ASSY.		1				
009	385120100	CRANK SHAFT ASSY		1				
D10		INC. 10-12						
010	960102129	BALLBEARING 6201		1				
011	939620371	KEY		1				
012	960102129	BALLBEARING 6201		1				
013	962211033	NEEDLE CAGE		1				
014	962900057	OIL SEAL 12		1				
015	900006217	DISC		1				
016	962900024	RADIAL RING		1				
017	908505555	H.L. SOCKET HEAD BOLT M5X55		4	*			
017-1	266480-2	H.L. SOCKET HEAD BOLT M5X55	O	4				
018	913467304	SCREW 6.7X30		4				
019	385118011	HOOD		1				
021	908605205	H.L. SOCKET HEAD BOLT M5X20		4	*			
021-1	266942-0	H.L. SOCKET HEAD BOLT M5X20	O	4				
022	386110011	MOTOR HOUSING		1				
D10		INC. 23,24						
023	001131020	NIPPLE		1				
024	965452060	TUBE		1				
025	965404240	PLUG		1				
026	965404240	PLUG		1				
027	385217000	CLUTCH CASE ASSY		1				
028	965403380	ANTI VIBRATION RUBBER BUSH		2				
029	965903061	CLAMPING RING		1				
030	908006255	H.L. SOCKET HEAD BOLT M6X25		1				
031	913467254	SCREW 6.7X25		4				
032	010181000	CLUTCH SHOE,SET		1				
D10		INC. 33						
033	385184020	SPRING		1				
034	385141011	FLYWHEEL		1				
035	928308001	SPRING WASHER 8X17		1				
036	920308024	HEX. NUT M8X1 (FINE THREAD)		1	*			

Please order the parts with part number.

Print Date 18/10/2023

Model No.DBC4510 BRUSH CUTTER

Item	Parts No.	Description	I/C	Qty	New/Old	Opt. 1	Opt. 2	Note
036-1	264022-6	HEX. NUT M8X1	O	1				
037	385143030	IGNITION COIL		1				
038	965605411	EARTHING TERMINAL		1				
039	908605205	H.L. SOCKET HEAD BOLT M5X20		2	*			
039-1	266942-0	H.L. SOCKET HEAD BOLT M5X20	O	2				
040	970502110	INSULATING TUBE 6 L=1M		1	*			
040-1	970502120	INSULATING TUBE	O	1				
041	970310200	IGNITION CABLE L=1M		1				
042	385147100	PLUG CAP WITH SPRING		1				
043	965603021	SPARK PLUG BPMR7A		1	*			
043-1	168648-5	SPARK PLUG (BPMR7A)	O	1				
044	385160103	STARTER ASSY		1				
D10		INC. 45-49						
045	387164010	STARTER ROPE		1				
045A	985000150	STARTER ROPE 3.0MM L=100M		1				
046	957404691	STARTER GRIP		1				
047	957160385	STARTER REPAIR SET		1				
048	385162020	CABLE DRUM		1				
049	385163100	REWIND SPRING		1				
050	385166040	STARTER WHEEL		1				
051	920308024	HEX. NUT M8X1 (FINE THREAD)		1	*			
051-1	264022-6	HEX. NUT M8X1	O	1				
052	908605205	H.L. SOCKET HEAD BOLT M5X20		1	*			
052-1	266942-0	H.L. SOCKET HEAD BOLT M5X20	O	1				
053	980114147	LABEL		1				
057	957174385	MUFFLER		1				
D10		INC. 58						
058	908405145	H.L. SOCKET HEAD BOLT M5X14		5	*			
058-1	266986-0	H.L. SOCKET HEAD BOLT M5X14	O	5				
059	965527040	MUFFLER GASKET		1				
060	385174011	COOLING PLATE		1				
061	965527030	CARBURETOR INSULATOR GASKET		1				
062	385131071	CARBURETOR INSULATOR		1				
064	965527020	CARBURETOR GASKET		1				
065	385154010	ADJUSTING GUIDE		1				
066	028150740	CHOKE LEVER		1				
067	385150030	CHOKE LINKAGE		1				
068	385150020	SPRING SHACKLE		1				
069	915135130	SCREW 3.5X13		1				
070	001173060	ALMINUM HEX. LONG NUT M5		2				
071	965527060	AIR FILTER GASKET		1				
072	385173100	AIR FILTER		1				

Please order the parts with part number.

Print Date 18/10/2023

Model No.DBC4510 BRUSH CUTTER

Item	Parts No.	Description	I/C	Qty	New/Old	Opt. 1	Opt. 2	Note
073	385118060	AIR FILTER ELEMENT COVER		1				
074	908605145	H.L. SOCKET HEAD BOLT M5X14		2	*			
074-1	266947-0	H.L. SOCKET HEAD BOLT M5X14	O	2				
075	385151001	CARBURETOR CPL		1				
D10		INC. 76-100						
076	021151160	PUMP COVER		1				
077	001151400	IDLE STOP SCREW		1				
078	021151230	PRESSURE SPRING		1				
079	118151190	SCREW		1				
080	957151010	PUMP DIAPHRAGM,SET		1				
081	021151120	DIAPHRAGM COVER		1				
082	118151020	SCREW		4				
083	118151020	SCREW		1				
084	957151020	METERING DIAPHRAGM ,SET		1				
085	385151040	THROTTLE SHAFT		1				
086	371151310	SPRING		1				
087	001151680	THROTTLE SHUTTER		1				
088	118151060	SCREW		1				
089	118151060	SCREW		1				
090	108151350	SHAFT CLIP		1				
091	385151020	CHOKE SHAFT ASSY		1				
092	001151350	CHOKE SHUTTER		1				
093	118151170	LOCKING BALL		1				
094	118151160	LOCKING SPRING		1				
095	021151530	SPRING(H)		1				
096	021151480	SPRING		1				
097	021151180	SCREEN		1				
098	957150040	SET OF CONTROL PARTS		1				
099	001151420	MAIN ADJUSTMENT SCREW(H)		1				
100	001151410	IDLING ADJUSTMENT SCREW(L)		1				
101	385114611	TANK ASSY		1				
D10		INC. 102-105,108						
102	957114010	VENT VALVE ASSY.		1	*			
102-1	957114011	VENT VALVE ASSY	O	1				
103	965452060	TUBE		1				
104	010114045	TANK PLUG CPL		1				
105	963601420	SUCTION HEAD COMPLETE		1				
D10		INC. 106,107						
106	963601150	SUCTION HEAD		1				
107	928605500	DISC		1				
108	965452480	FUEL LINE		1				
109	385310631	CLAMPING PIECE		1				
110	908006305	H.L. SOCKET HEAD BOLT M6X30		1				
111	924106400	WASHER M6		1				

Please order the parts with part number.

Print Date 18/10/2023

Model No.DBC4510 BRUSH CUTTER

Item	Parts No.	Description	I/C	Qty	New/Old	Opt. 1	Opt. 2	Note
112	920206000	HEX. NUT M6		1				
113	385365010	INSERTING PLATE		1				
114	965403380	ANTI VIBRATION RUBBER BUSH		2				
115	385316010	ORIFICE PLATE		1				
116	913467164	SCREW 6.7X16		2	*			
116-1	251492-8	H.L.TAPPING SCREW 6.7X16	O	2				
117	980114673	LABEL DBC4510		1				
118	369313202	OPERATING LEVER ASSY.		1				
D10		INC. 119,121-125						
119	385726070	BOWDEN CABLE CPL.		1				
120	385310161	HANDLE		1				
121	369313290	HANDLE HALF,RIGHT,CPL		1				
122	369313080	HANDLE HALF,LEFT		1				
123	369311080	THROTTLE LEVER		1				
124	369311071	THROTTLE RETUNE SPRING		1				
125	975001210	SHORT CIRCUIT SWITCH		1				
126	915735100	PZ2 TAPPING SCREW 3.5X9.5		2	*			
126-1	251533-0	TAPPING SCREW 3.5X10	O	2				
127	965903080	CLAMPING RING		1				
128	908006255	H.L. SOCKET HEAD BOLT M6X25		1				
129	385176010	RETAINING CLIP		1				
130	913455204	H.L.TAPPING SCREW 5.5X20		1	*			
130-1	913455204	H.L.TAPPING SCREW 5.5X20	O	1	*			
130-2	266475-5	H.L.TAPPING SCREW 5.5X20	O	1				
131	965401018	RUBBER BUSH		1				
132	387311100	GRIP LEFT		1				
133	957310610	CLAMPING HOLDER SET		1				
D10		INC. 134-136						
134	900108555	HEX. SCREW M8X55		1				
135	924108400	DISC 8.4		1				
136	908005165	FILLISTER HEAD SCREW M5X16		2	*			
136-1	266605-8	H.L. SOCKET HEAD BOLT M5X16	O	2				
138	010261020	MAIN PIPE ASSY		1				
D10		INC. 140-142						
139	385228030	DRIVE SHAFT		1				
140	980114628	CAUTION LABEL		1				
141	980114148	LABEL		1				
142	980114119	LABEL		1				
143	010341612	PROTECTION HOOD ASSY		1				
D10		INC. 144-146						
144	908005165	FILLISTER HEAD SCREW M5X16		1	*			
144-1	266605-8	H.L. SOCKET HEAD BOLT M5X16	O	1				
145	385341021	PLATE		1				

Please order the parts with part number.

Print Date 18/10/2023

Model No.DBC4510 BRUSH CUTTER

Item	Parts No.	Description	I/C	Qty	New/Old	Opt. 1	Opt. 2	Note
146	957341010	LINE CUTTER		1				
147	010341630	PROTECTION HOOD CPL 200		1				
D10		INC. 148						
147A_	010341640	PROTECTION HOOD CPL 225		1				
D10		INC. 148						
148	908005125	H.L. SOCKET HEAD BOLT M5X12		3	*			
148-1	266946-2	H.L. SOCKET HEAD BOLT M5X12	O	3				
149	385200203	GEAR HEAD ASSY		1				
D10		INC. 150-153,156,158-160						
150	957385272	SPINDLE LOCK PARTS SET		1				
151	962900055	OIL SEAL		1				
152	900210104	HEXAGONAL HEAD SCREW M10X1.25		1				
153	963604084	GASKET		1				
154	908005125	H.L. SOCKET HEAD BOLT M5X12		1	*			
154-1	266946-2	H.L. SOCKET HEAD BOLT M5X12	O	1				
155	908005255	H.L. SOCKET HEAD BOLT M5X25		2	*			
155-1	266984-4	H.L. SOCKET HEAD BOLT M5X25	O	2				
156	385228020	SPACER RING 15		1				
157	385224410	WINDING PREVENTER		1				
158	385224012	RECEIVE WASHER		1				
159	385224022	CLAMP WASHER		1				
160	385228041	BLADE NUT M12X1.5LH		1				
161	385218020	BLADE CUP		1				

Please order the parts with part number.

Print Date 18/10/2023