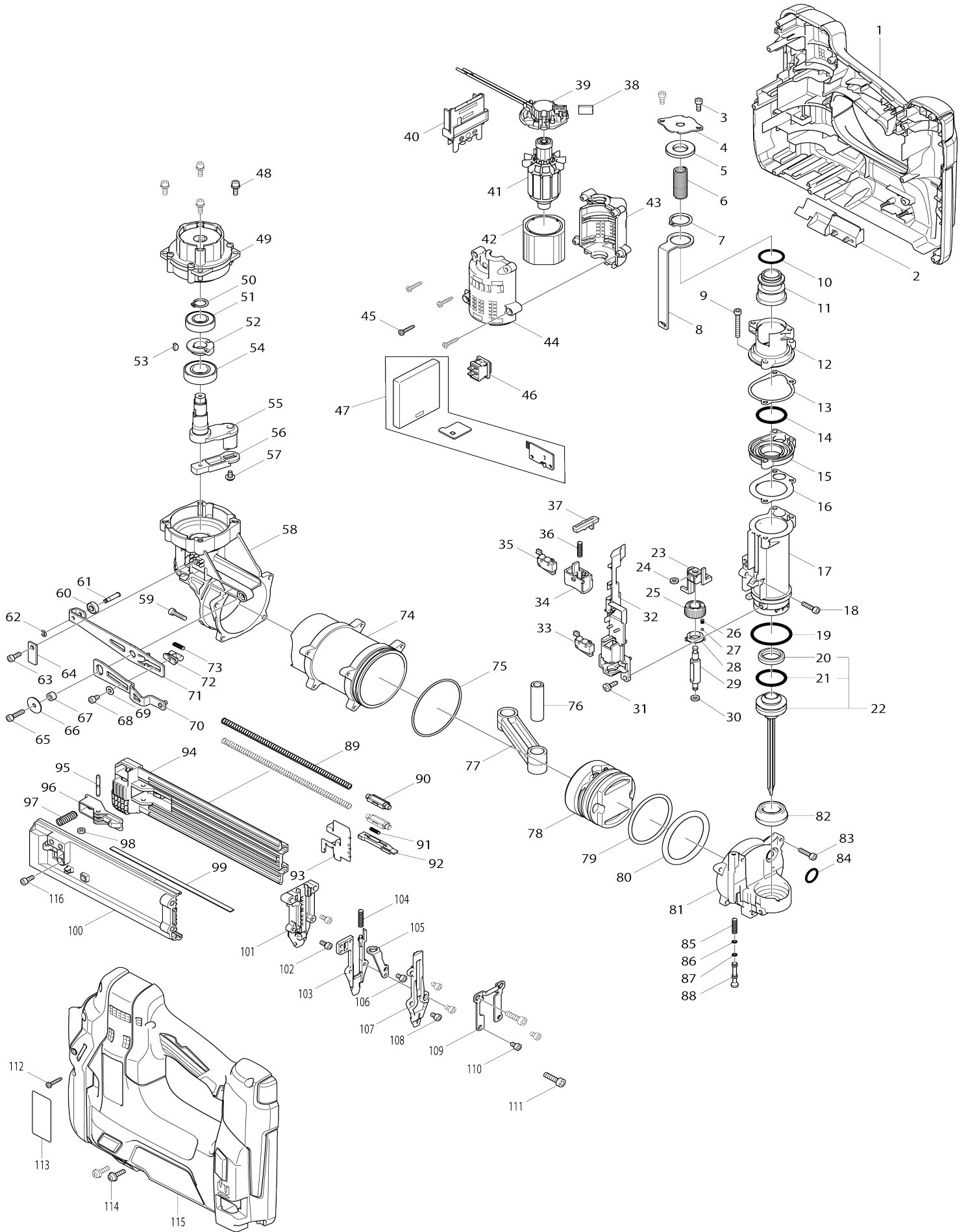


Model No.DBN500 50MM CORDLESS BRAD NAILER



Model No.DBN500 50MM CORDLESS BRAD NAILER

Item No.	Parts No.	Description	Interchangability	Q'ty	New/Old	Note1	Note2
001	187864-0	HOUSING SET		1			
C10	252126-6	HEX. LOCK NUT M4-7		2			
C20	803N94-6	CAUTION LABEL		1			
D10		INC. 115					
002	454946-6	LED COVER		1			
003	922112-8	HEX. SOCKET HEAD BOLT M4X10		2			
004	346773-4	TOPCAP		1			
005	424625-0	REAR CUSHION		1			
006	234327-8	COMPRESSION SPRING 11		1	*		
006-1	234393-5	COMPRESSION SPRING 11	<	1			
007	961059-1	RETAINING RING (EXT) S-19		1			
008	346776-8	LINK ARM B		1			
009	922157-6	HEX. SOCKET HEAD BOLT M4X30		3			
010	213381-5	O RING 21		1			
011	326398-0	VALVE		1			
012	319114-7	CYLINDER HEAD		1			
013	423472-6	GASKET A		1			
014	213364-5	O RING 24		1			
015	319116-3	SEPARATER		1			
016	423473-4	GASKET B		1			
017	319113-9	DRIVER CYLINDER		1			
018	922127-5	HEX. SOCKET HEAD BOLT M4X16		3			
019	213475-6	O RING 34		1			
020	421551-4	CUSHION "P"		1			
021	213364-5	O RING 24		1			
022	135644-8	DRIVER ASS'Y		1			
D10		INC. 20,21					
023	310585-1	ADJUSTER BLOCK		1			
024	262130-7	URETHANE RING 4		1			
025	454949-0	ADJUSTER		1			
026	234254-9	COMPRESSION SPRING 2		1			
027	216031-1	STEEL BALL 2.3		1			
028	453807-7	ADJUSTER GUIDE		1			
029	326399-8	ADJUSTER ROD		1			
030	262130-7	URETHANE RING 4		1			
031	266026-4	TAPPING SCREW BIND CT 4X12		2			
032	454938-5	SWITCH BASE		1			
033	632C01-4	SWITCH UNIT		1			
034	454939-3	TRIGGER		1			
035	632C01-4	SWITCH UNIT		1			
036	234037-7	COMPRESSION SPRING 5		1	*		
036-1	231372-4	COMPRESSION SPRING 5	O	1			
037	454952-1	TRIGGER LOCK		1			
038	194427-5	CARBON BRUSH SET CB-440		1	*		
038-1	195021-6	CARBON BRUSH SET CB-440	O	1			
039	632B92-9	BRUSH HOLDER COMPLETE		1			
040	643860-3	TERMINAL		1			

041	619339-6	ARMATURE		1		
042	638989-8	YOKE UNIT		1		
043	187809-8	MOTOR HOUSING SET		1		
D10		INC. 44				
044	187809-8	MOTOR HOUSING SET		1		
D10		INC. 43				
045	266130-9	TAPPING SCREW BIND PT 3X16		4		
046	651533-4	SWITCH SLE6A2-33		1		
047	620291-3	CONTROLLER		1		
048	266273-7	HEX. SOCKET HEAD BOLT M4X12		4		
049	126398-8	GEAR ASSEMBLY		1		
050	961052-5	RETAINING RING (EXT) S-12		1		
051	210107-6	BALL BEARING 6001ZZ		1		
052	313276-3	EDGE CAM		1	*	
052-1	313346-8	EDGE CAM	S	1		
053	254031-3	WOODRUFF KEY 3		1	*	
054	211243-1	BALL BEARING 6002ZZ		1		
055	332100-1	CRANK		1	*	
055-1	327749-0	CRANK	S	1		
056	142440-7	MAGNET BASE COMPLETE		1		
057	911109-2	PAN HEAD SCREW M4X8		1		
058	319112-1	CRANK CASE		1		
059	922127-5	HEX. SOCKET HEAD BOLT M4X16		4		
060	210036-3	BALL BEARING 604ZZ		1	*	
060-1	211495-4	BALL BEARING 604ZZ	O	1		
061	256553-9	PIN4		1		
062	961017-7	STOP RING E-3		1		
063	922112-8	HEX. SOCKET HEAD BOLT M4X10		1		
064	346778-4	PLATE B		1		
065	922127-5	HEX. SOCKET HEAD BOLT M4X16		1		
066	267071-2	FLAT WASHER 4		1		
067	257822-1	SLEEVE 8		1		
068	922102-1	HEX. SOCKET HEAD BOLT M4X6		1	*	
068-1	922109-7	H.S.H.BOLT M4X8 WITH WG	S	1		
069	941051-3	FLAT WASHER 4		1	*	
070	142442-3	SUB ARM COMPLETE		1		
071	346775-0	LINK ARM A		1		
072	310587-7	SLIDER		1		
073	234119-5	COMPRESSION SPRING 3		1		
074	332099-0	MAIN CYLINDER		1		
075	213709-7	O RING 63		1		
076	332101-9	PIPE 12		1		
077	454937-7	CONECTING ROD		1		
078	454944-0	PISTON A		1		
079	213605-9	O RING 50		1		
080	213609-1	O RING 50		1		
081	319115-5	CYLINDER END		1	*	
081-1	312A55-2	CYLINDER END	S	1		
082	424624-2	CUSHION		1		
083	922127-5	HEX. SOCKET HEAD BOLT M4X16		4		
084	213162-7	O RING 14		1	*	
084-1	213238-0	O-RING 13	S	1		

085	234329-4	COMPRESSION SPRING 4		1		
086	213044-3	O RING 3		1		
087	213044-3	O RING 3		1		
088	326401-7	VALVE STEM		1		
089	234325-2	COMPRESSION SPRING 6		2		
090	454940-8	SLEEVE		2		
091	234326-0	COMPRESSION SPRING 3		1		
092	310584-3	STOPPER		1		
093	346782-3	PUSHER		1		
094	454942-4	SLIDE DOOR		1		
095	256793-9	PIN 3		1		
096	454945-8	LOCK LEVER		1		
097	233197-2	COMPRESSION SPRING 7		1		
098	262054-7	URETHANE RING 3		1		
099	346774-2	NAIL PLATE		1		
100	454943-2	MAGAZINE		1		
C10	931102-0	HEX. NUT M4		1		
101	310588-5	SET PLATE		1		
102	265911-8	HEX. SOCKET HEAD BOLT M4X8		2		
103	142443-1	CENTER PLATE COMPLETE		1		
104	234328-6	COMPRESSION SPRING 4		1		
105	346779-2	ARM		1		
106	922102-1	HEX. SOCKET HEAD BOLT M4X6		1		
107	310586-9	DRIVER GUIDE		1		
108	922102-1	HEX. SOCKET HEAD BOLT M4X6		3		
109	346777-6	PLATE A		1		
110	922102-1	HEX. SOCKET HEAD BOLT M4X6		2		
111	266369-4	HEX SOCKET HEAD BOLT M5X20		2		
112	266130-9	TAPPING SCREW BIND PT 3X16		10		
113	815P33-6	DBN500 NAME PLATE		1		
114	911118-1	PAN HEAD SCREW M4X12		2		
115	187864-0	HOUSING SET		1		
C10	252126-6	HEX. LOCK NUT M4-7		2		
C20	803N94-6	CAUTION LABEL		1		
D10		INC. 1				
116	922112-8	HEX. SOCKET HEAD BOLT M4X10		1		
A01	195246-2	SAFETY GOGGLE		1	*	
A02	251314-2	+ SCREW M4X12		1		
A03	346317-0	HOOK		1		
A04	424121-8	NOSE ADAPTER		2	*	
A04-1	424121-8	NOSE ADAPTER	O	2		
A05	783201-2	HEX. WRENCH 3		1		
A06	821551-8	CONNECTOR PLASTIC CASE (TYP E3)		1		
C10	453974-8	LATCH		4		
A07	838023-6	INNER TRAY		1		
A08	803V13-0	DBN500ZJ INDICATION LABEL		1		
A09	803V14-8	DBN500ZJ PLASTIC CASE LABEL		2		
F03-3	197606-4	BATTERY BL1830B SET (2PIECES)	O	1	*	
F04-3	197600-6	BATTERY BL1830B SET	O	1		
F05-4	197599-5	BATTERY BL1830B SET	O	1		
F06-3	197267-0	BATTERY BL1840B SET	O	1		

F07-3	197265-4	BATTERY BL1840B SET	O	1			
F08-3	197273-5	BATTERY BL1840B SET(2PIECES)	O	1			
A08	803V15-6	DBN500RFJ INDICATION LABEL		1			
A09	803V16-4	DBN500RFJ PLASTIC CASE LABEL		2			
A10	***DC18RC	DC18RC FAST CHARGER		1			
A11	194204-5	BATTERY BL1830 SET		2	*		
A11-1	194204-5	BATTERY BL1830 SET	O	2	*		
A11-2	197600-6	BATTERY BL1830B SET	<	2	*		
A11-3	197600-6	BATTERY BL1830B SET	O	2			
A12	450128-8	BATTERY COVER		1			
A08	803V17-2	DBN500RMJ INDICATION LABEL		1			
A09	803V18-0	DBN500RMJ PLASTIC CASE LABEL		2			
A11	196399-0	BATTERY BL1840 SET		2	*		
A11-1	196399-0	BATTERY BL1840 SET	O	2	*		
A11-2	197265-4	BATTERY BL1840B SET	<	2	*		
A11-3	197265-4	BATTERY BL1840B SET	O	2			

Please state Parts No. when your order.

Print Date 01/29/2024