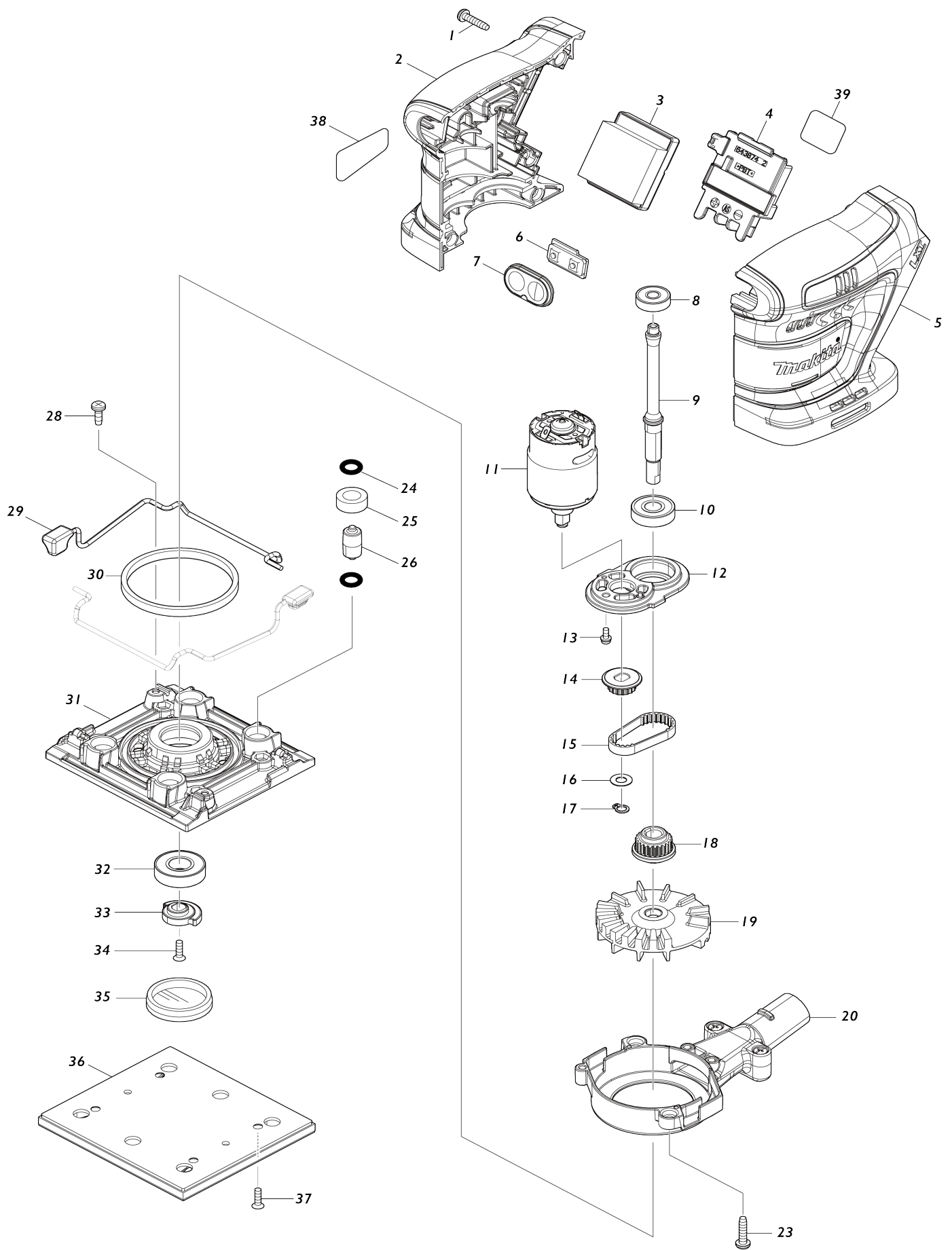


Model No.DBO480 CORDLESS FINISHING SANDER



Model No.DBO480 CORDLESS FINISHING SANDER

Item No.	Parts No.	Description	Interchangability	Q'ty	New/Old	Note1	Note2
001	265995-6	TAPPING SCREW 4X18		5			
002	183U93-9	HOUSING SET		1			
C10	263005-3	RUBBER PIN 6		2			
D10		INC. 5					
003	632S79-3	CONTROLLER UNIT		1			
C10	688164-6	LINE FILTER		1			
C20	654086-2	RECEPTACLE		2			
004	643874-2	TERMINAL		1			
005	183U93-9	HOUSING SET		1			
C10	263005-3	RUBBER PIN 6		2			
D10		INC. 2					
006	632K92-3	SWITCH UNIT		1			
007	141B15-1	SWITCH PLATE COMPLETE		1			
008	210143-2	BALL BEARING 626ZZ		1			
009	327807-2	SPINDLE		1			
010	211491-2	BALL BEARING 609DDW		1			
011	629B07-5	DC MOTOR		1			
012	413619-0	MOTOR BRACKET		1			
013	265173-8	PAN HEAD SCREW M3X8		1			
014	222200-4	PULLEY 7.5-15.5		1			
015	225105-7	SYNCHRO BELT 6-108		1			
016	253715-0	FLAT WASHER 6		1			
017	961002-0	RETAINING RING S-6		1			
018	222199-3	PULLEY 7.5-20.3		1			
019	240224-8	FAN 63		1			
020	122B40-1	FAN GUIDE ASSEMBLY		1			
023	265995-6	TAPPING SCREW 4X18		2			
024	213983-7	O RING 4		8			
025	424023-8	SPONGE SLEEVE 9		4			
026	318151-8	FOOT		4			
028	266020-6	TAPPING SCREW 4X12		2			
029	162259-8	LEVER COMPLETE		2			
030	424684-4	SPONGE 7X87X3		1			
031	413618-2	BASE		1			
C10	252176-1	HEX. NUT M4		4			
032	211131-2	BALL BEARING 6001DDW		1			
033	313141-6	BALANCER		1			
034	912117-6	COUNTERSUNK HEAD SCREW M4 X12		1			
035	422711-1	CAP 36		1			
036	191Y24-8	PAD COMPLETE SET		1			
037	912117-6	COUNTERSUNK HEAD SCREW M4 X12		4			
038	8115T2-9	DBO480 NAME PLATE		1			
039	8115T5-3	DBO480 SERIAL NO. LABEL		1			
A01	191Y22-2	TRIANGLE PLATE COMPLETE SET		1			
A02	194746-9	PAPER DUST BAG SET		1			
A03	192352-4	ABRASIVE PAPER SET		2			

A04	192655-6	ABRASIVE PAPER SET		1		
A05	135246-0	DUST BOX ASSEMBLY		1		
C10	232246-2	LEAF SPRING		2		
C20	424144-6	RUBBER SLEEVE		1		
C30	450769-0	DUST NOZZLE		1		
C40	450770-5	DUST BOX		1		
A06	450066-4	PUNCH PLATE		1		
F01	191Y22-2	TRIANGLE PLATE COMPLETE SET		1		
F02	191Y23-0	RECTANGLE PLATE COMPLETE SET		1		
F03	191Y24-8	PAD COMPLETE SET		1		
F04	191Y25-6	PAD COMPLETE SET		1		
F09	195134-3	FILTER SET		1		
A07	8048R5-4	DBO480RTJ INDICATION LABEL		1		
A08	8048R6-2	DBO480RTJ PLASTIC CASE LABEL		2		
A09	821550-0	CONNECTOR PLASTIC CASE (TYPE2)		1		
C10	453974-8	LATCH		4		
A10	8351G2-0	INNER TRAY		1		
A11	***DC18RC	DC18RC FAST CHARGER		1		
D10		COMPO-PARTS				
A12	197280-8	BATTERY BL1850B SET		2		
A13	450128-8	BATTERY COVER		1		

Please state Parts No. when your order.

Print Date 10/24/2023