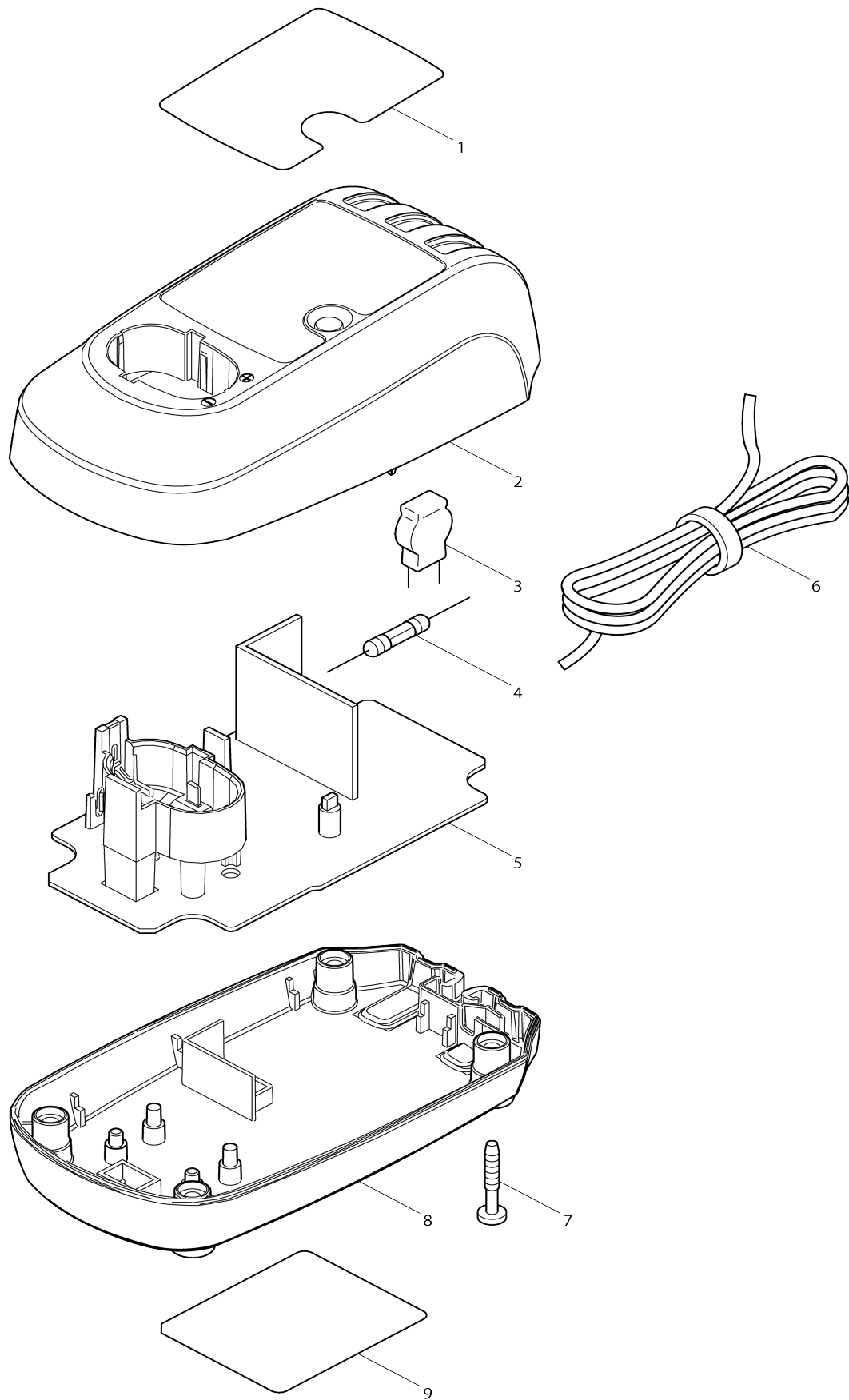


# Model No.DC07SA CHARGER



Model No.DC07SA CHARGER

Item No.	Parts No.	Description	Interchangability	Q'ty	New/Old	Note1	Note2
001	804594-5	Charging condition label		1	*		
001-1	804594-5	Charging condition label	<	1			
002	158140-9	Charger case complete (blue)		1			
003	647306-1	VARISTOR		1			
004	652779-5	FUSE		1			
005	631731-6	Charging circuit complete		1			
D10		INC. 3,4					
006	667985-9	VINYL CORD 0.75-2-2.0		1			
007	266355-5	TAPPING SCREW BT 4X25		4			
008	419619-8	Charger case cover (black)		1			
009	862711-3	Name plate DC07SA		1			

Please state Parts No. when your order.

Print Date 10/19/2023