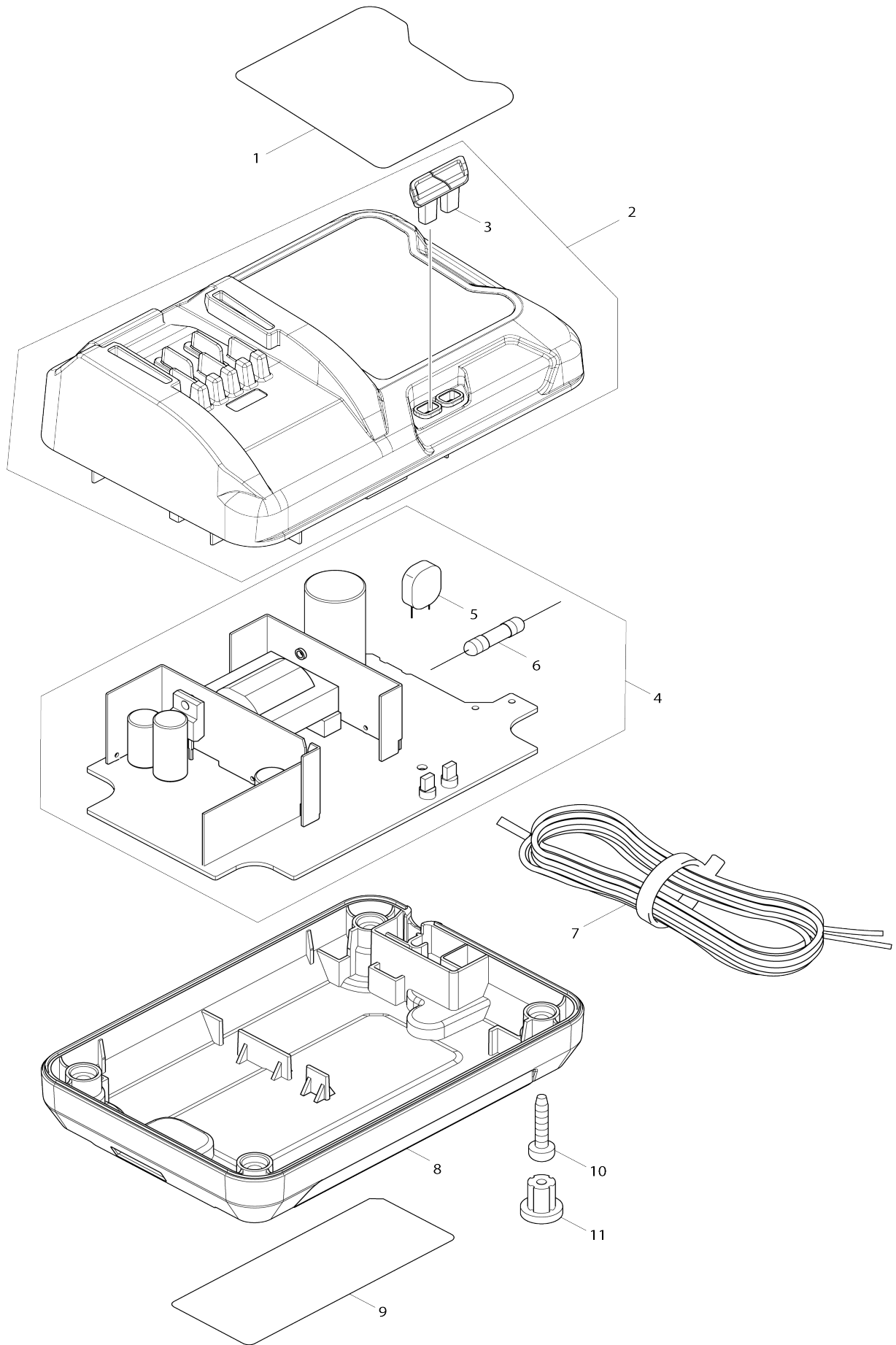


# Model No.DC10WC BATTERY CHARGER



**Model No.DC10WC BATTERY CHARGER**

Item No.	Parts No.	Description	Interchangability	Q'ty	New/Old	Note1	Note2
001	807B56-4	CHARGING CONDITION LABEL		1			
002	143244-0	CHARGER CASE COMPLETE		1			
D10		INC. 3					
002A_	141M67-8	CHARGER CASE COMPLETE		1			
D10		INC. 3A					
003	455959-0	LENZ		1			
003A_	413M17-6	LENS		1			
004	620421-6	CHARGING CIRCUIT		1			
D10		INC. 5,6					
004A_	620K83-6	CHARGING CIRCUIT		1			
D10		INC. 5A, 6A					
005	647306-1	VARISTOR		1			
005A_	652133-3	VARISTOR		1			
006	652804-2	FUSE		1			
006A_	652134-1	FUSE		1			
007	667985-9	VINYL CORD 0.75-2-2.0		1			
008	455958-2	CHARGER CASE COVER		1			
008A_	413M16-8	CHARGER CASE COVER		1			
010	266346-6	TAPPING SCREW BT 4X20		4	*		
010-1	265B01-9	TAPPING SCREW PT 4X20	<	4			
011	286255-3	CAP 13		4			
F03	197334-1	DC10WC BATTERY CHARGER SET		1			

Please state Parts No. when your order.

Print Date 10/24/2023