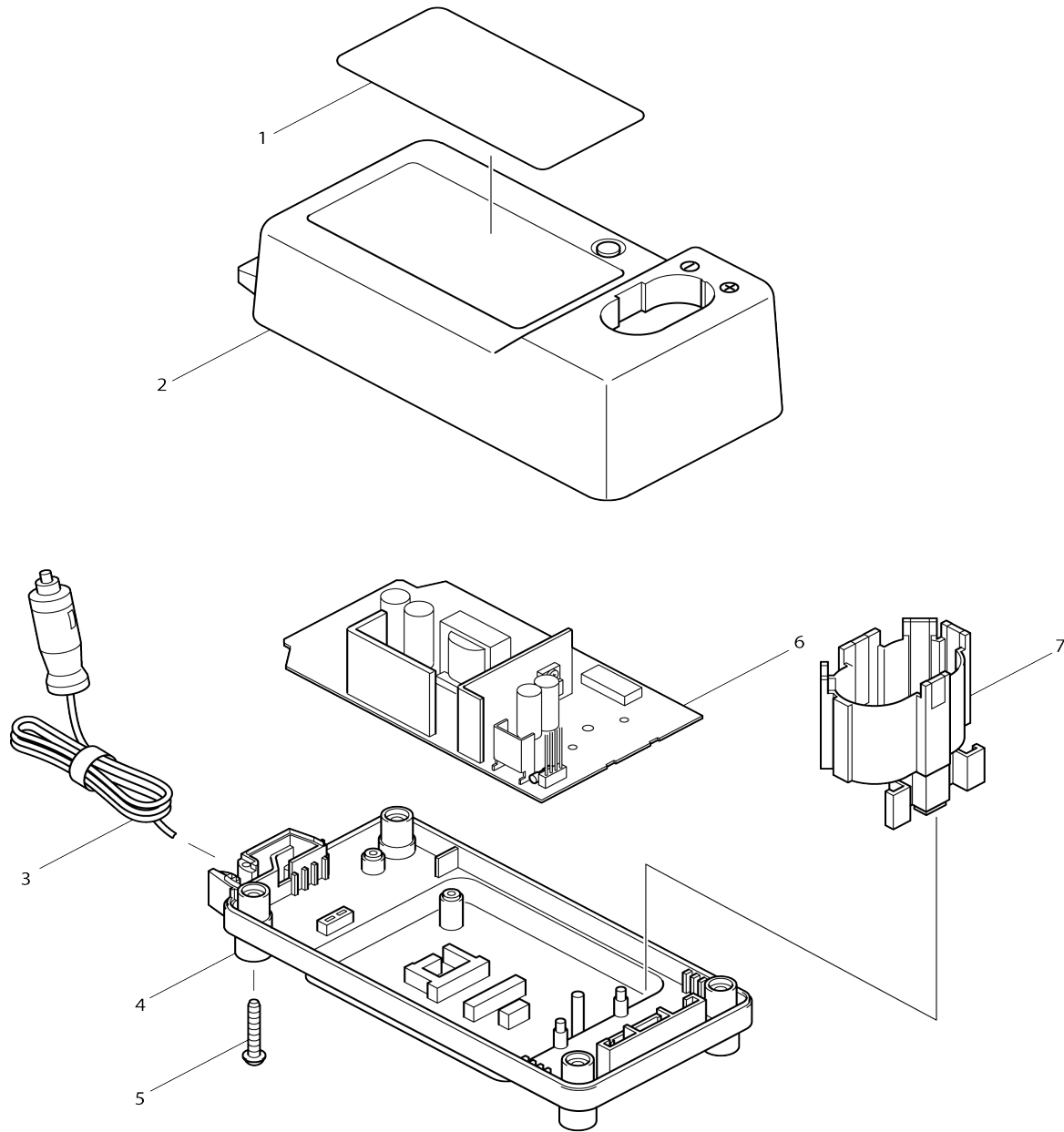


Model No.DC1822 CHARGER



Model No.DC1822 CHARGER

Item No.	Parts No.	Description	Interchangability	Q'ty	New/Old	Note1	Note2
001	853357-6	Name plate DC1822		1			
002	183443-2	Charger case set (blue)		1			
C10	415917-8	Headed pin 6		1			
D10		INC. 4					
003	667812-0	Vinyl cord		1	*		
C10	652761-4	Fuse		1	*		
003-1	667857-8	POWER SUPPLY CORD	<	1	*		
C10	652761-4	Fuse		1	*		
003-2	667720-5	POWER SUPPLY CORD	<	1			
C10	652761-4	Fuse		1			
004	183443-2	Charger case set (blue)		1			
C10	415917-8	Headed pin 6		1			
D10		INC. 2					
005	265999-8	TAPPING SCREW 4X25		4	*		
005-1	266355-5	TAPPING SCREW BT 4X25	O	4	*		
005-2	265B08-5	TAPPING SCREW PT 4X25	<	4			
006	631451-2	Charging circuit		1			
C10	652763-0	FUSE		1			
007	417885-1	BATTERY BOX		1			

Please state Parts No. when your order.

Print Date 10/19/2023