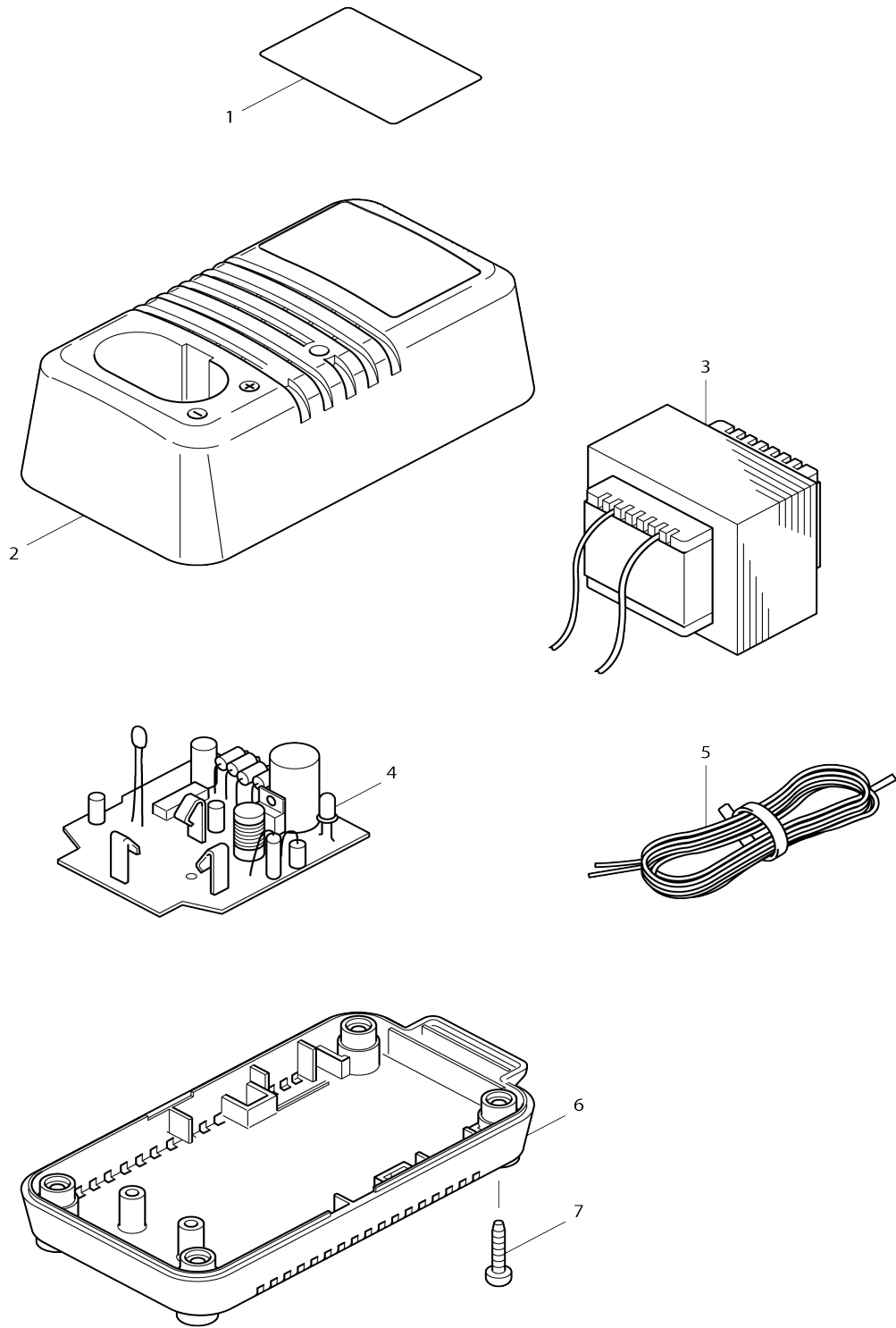


# Model No.DC1850 CHARGER DC1850



Model No.DC1850 CHARGER DC1850

Item No.	Parts No.	Description	Interchangability	Q'ty	New/Old	Note1	Note2
001	860229-8	Name plate DC1850		1			
002	153749-2	Charger case complete (black)		1			
003	649229-9	Transformer		1			
004	631532-2	Charging circuit		1			
005	667827-7	Vinyl cord		1			
006	418481-8	Charger case cover (black)		1			
007	266316-5	Pan head BT tapping screw 4X20		4			

Please state Parts No. when your order.

Print Date 10/24/2023