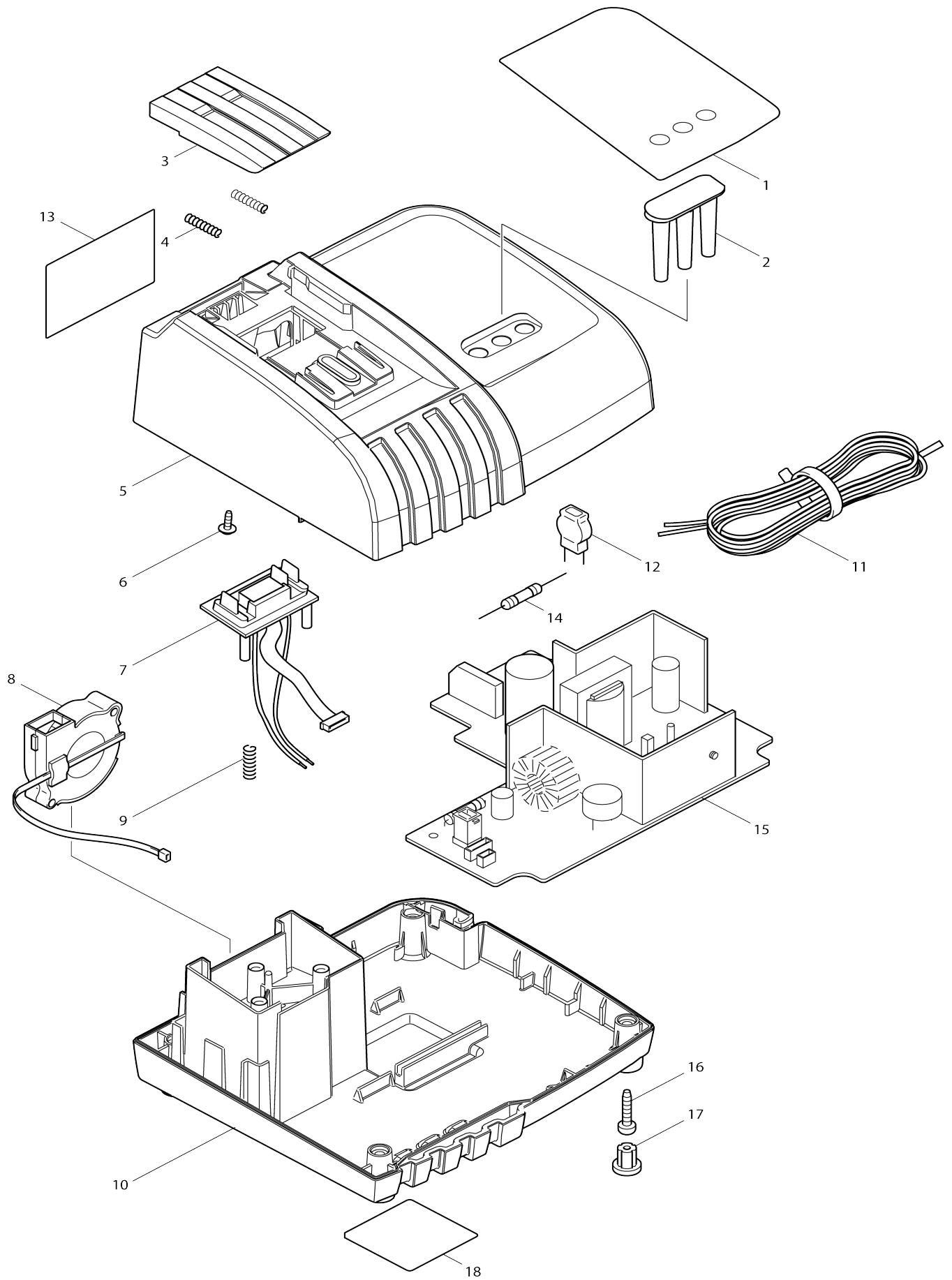


Model No.DC18RA CHARGER



Model No.DC18RA CHARGER

Item No.	Parts No.	Description	Interchangability	Q'ty	New/Old	Note1	Note2
001	804668-2	Charging condition label		1			
002	419570-2	ACRYRIC PIN		1			
003	419569-7	TERMINAL COVER		1			
004	231474-6	COMPRESSION SPRING 4		2			
005	158135-2	CHARGER CASE COMPLETE		1			
D10		INC. 2					
006	266278-7	TAPPING SCREW FLANGE BT3X10		1			
007	638493-7	Terminal unit		1	*		
007-1	638493-7	Terminal unit	O	1			
008	638499-5	SCIROCCO FAN		1			
009	233194-8	COMPRESSION SPRING 4		1			
010	419567-1	CHARGER CASE COVER		1			
011	667985-9	VINYL CORD 0.75-2-2.0		1			
012	647306-1	VARISTOR		1			
014	652782-6	FUSE		1			
015	631733-2	Charging circuit		1			
D10		INC. 12,14					
016	266346-6	TAPPING SCREW BT 4X20		4			
017	286255-3	CAP 13		4			
018	862779-9	Name plate DC18RA T		1	*		
018-1	864301-8	Name plate DC18RA	<	1			
001A_	806065-8	Charging condition label		1			
005A_	158517-8	CHARGER CASE COMPLETE		1			
D10		INC. 2					

Please state Parts No. when your order.

Print Date 10/19/2023