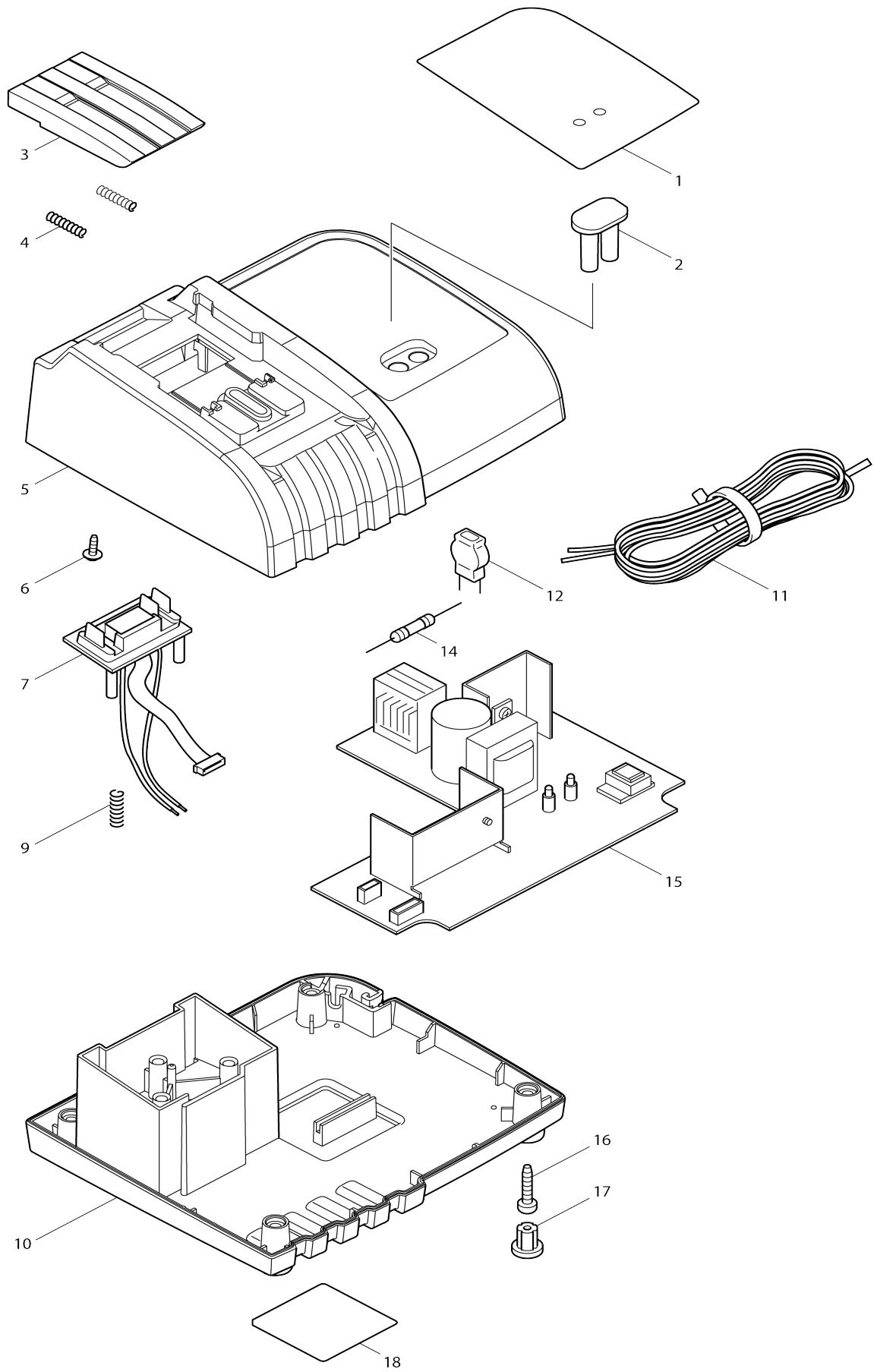


Model No.DC18SD CHARGER



Model No.DC18SD CHARGER

Item No.	Parts No.	Description	Interchangability	Q'ty	New/Old	Note1	Note2
001	806355-9	CHARGING CONDITION LABEL		1	*		
001-1	816W96-7	CHARGING CONDITION LABEL	<	1			
001A_	806355-9	CHARGING CONDITION LABEL		1			
002	418175-5	ACRYLIC PIN		1			
003	419569-7	TERMINAL COVER		1	*		
003-1	455546-5	TERMINAL COVER	<	1			
004	231474-6	COMPRESSION SPRING 4		2			
005	158598-2	CHARGER CASE COMPLETE		1			
D10		INC. 2					
005A_	143539-1	CHARGER CASE COMPLETE		1			
006	266278-7	TAPPING SCREW FLANGE BT3X10		1			
007	638602-8	TERMINAL UNIT		1	*		
007-1	638602-8	TERMINAL UNIT	O	1	*		
007-2	638602-8	TERMINAL UNIT	O	1			
007A_	632G53-9	TERMINAL UNIT		1			
009	233194-8	COMPRESSION SPRING 4		1			
010	450346-8	CHARGER CASE COVER		1			
010A_	456426-8	CHARGER CASE COVER		1			
011	667985-9	VINYL CORD 0.75-2-2.0		1			
011A_	667721-3	VINYL CORD		1			
012	647306-1	VARISTOR		1			
012A_	647070-4	VARISTOR		1			
014	652779-5	FUSE		1	*		
014-1	652779-5	FUSE	O	1			
014A_	652067-0	FUSE		1			
015	631851-6	CHARGING CIRCUIT		1			
D10		INC. 12,14					
015A_	620532-7	CHARGING CIRCUIT		1	*		
015A1	620H36-7	CHARGING CIRCUIT	O	1			
016	266346-6	TAPPING SCREW BT 4X20		4	*		
016-1	265B01-9	TAPPING SCREW PT 4X20	<	4			
017	286255-3	CAP 13		4			
018	864446-2	DC18SD NAME PLATE		1			
F01	194533-6	DC18SD BATTERY CHARGER SET		1			
F12	194541-7	DC18SD BATTERY CHARGER SET		1			

Please state Parts No. when your order.

Print Date 10/19/2023