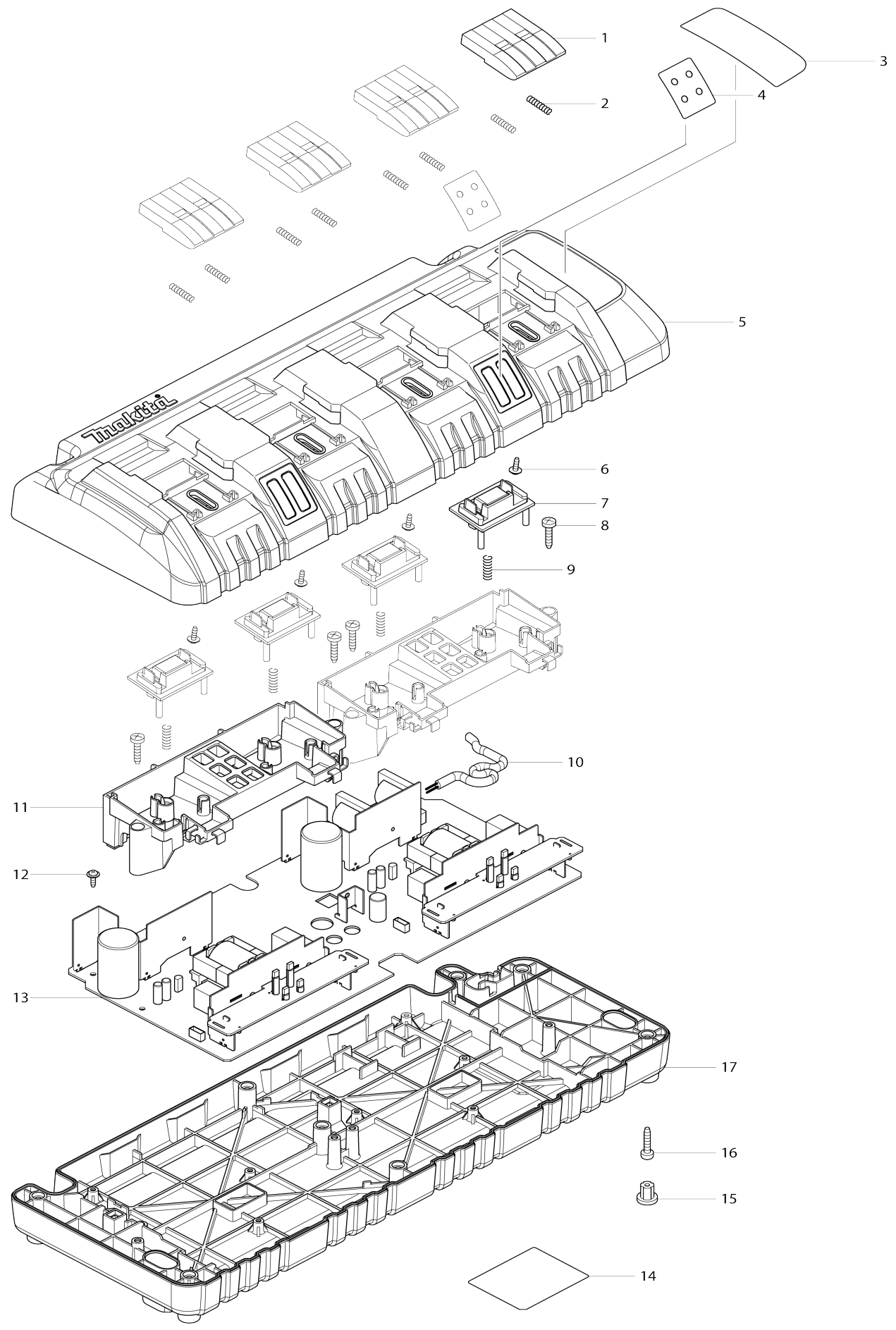


Model No.DC18SF FOUR PORT MULTI CHARGER



Model No.DC18SF FOUR PORT MULTI CHARGER

Item No.	Parts No.	Description	Interchangability	Q'ty	New/Old	Note1	Note2
001	454262-6	TERMINAL COVER		4	*		
001-1	456255-9	TERMINAL COVER	<	4			
002	231474-6	COMPRESSION SPRING 4		8			
003	801K88-7	CHARGING CONDITION LABEL		1			
004	801M82-1	INDICATION LABEL		2			
005	141900-6	CHARGER CASE COMPLETE		1			
006	266278-7	TAPPING SCREW FLANGE BT3X10		4			
007	632B34-3	TERMINAL UNIT		4			
008	266346-6	TAPPING SCREW BT 4X20		4	*		
008-1	265B01-9	TAPPING SCREW PT 4X20	<	4			
009	233194-8	COMPRESSION SPRING 4		4			
010	667985-9	VINYL CORD 0.75-2-2.0		1			
011	454263-4	TERMINAL BASE		2			
012	266278-7	TAPPING SCREW FLANGE BT3X10		8			
013	620191-7	CHARGING CIRCUIT		1			
C10	647321-5	VARISTOR		1	*		
C11	647306-1	VARISTOR	<	1			
C20	652782-6	FUSE		1			
014	814K86-2	DC18SF NAME PLATE		1			
015	286255-3	CAP 13		4			
016	266346-6	TAPPING SCREW BT 4X20		8	*		
016-1	265B01-9	TAPPING SCREW PT 4X20	<	8			
017	454261-8	CHARGER CASE COVER		1			
F04	196426-3	DC18SF 4PORT MULTI CHARGER SET		1			

Please state Parts No. when your order.

Print Date 10/19/2023