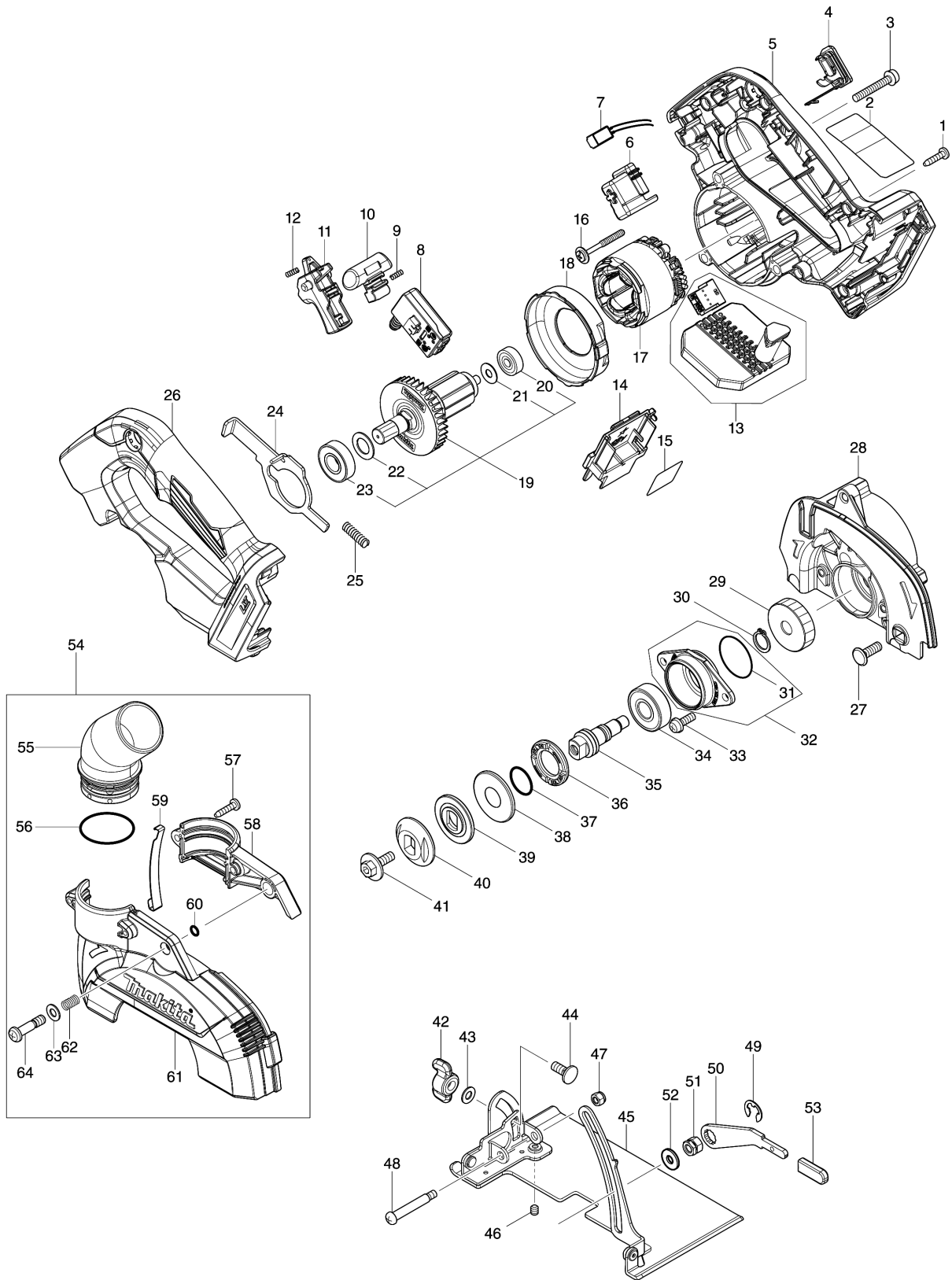


Model No.DCC500 125MM CORDLESS DUSTLESS CUTTER



Model No.DCC500 125MM CORDLESS DUSTLESS CUTTER

Item	Parts No.	Description	I/C	Qty	New/Old	Opt. 1	Opt. 2	Note
001	266326-2	TAPPING SCREW 4X18		6				
002	858D79-7	DCC500 NAME PLATE		1				
003	911258-5	PAN HEAD SCREW M5X35		3				
004	140F99-0	CAP COMPLETE		1				
C10	213218-6	O RING 16		1	*			
C11	213A05-9	O-RING16	O	1				
C20	818H07-8	CAP LABEL		1				
005	140Y20-3	MOTOR HOUSING COMPLETE		1	*			
C10	263005-3	RUBBER PIN 6		3	*			
005-1	136652-2	MOTOR HOUSING ASSEMBLY	O	1				
C10	263005-3	RUBBER PIN 6		3				
006	459256-6	HOLDER		1				
007	620936-3	LED CIRCUIT		1				
008	651083-9	SWITCH C3XA-1PSPM		1				
009	231433-0	COMPRESSION SPRING 4		1				
010	459264-7	LOCK OFF BUTTON		1				
011	458594-3	SWITCH LEVER		1				
012	231433-0	COMPRESSION SPRING 4		1				
013	620E44-0	CONTROLLER		1	*			
013-1	620L79-3	CONTROLLER	S	1				
014	643874-2	TERMINAL		1				
015	858D86-0	DCC500 SERIAL NO. LABEL		1				
016	265679-6	TAPPING SCREW 4X40		2				
017	629A39-6	STATOR		1	*			
017-1	629B61-9	STATOR	S	1				
018	413291-8	BAFFLE PLATE		1				
019	519665-2	ROTOR ASS'Y		1				
D10		INC. 20-23						
020	210022-4	BALL BEARING 626DDW		1				
021	253332-6	THIN WASHER 6		1				
022	253744-3	FLAT WASHER 12		1				
023	211131-2	BALL BEARING 6001DDW		1				
024	347785-0	SHAFT LOCK		1				
025	232667-8	COMPRESSION SPRING 6		1				
026	140Y24-5	HANDLE COVER COMPLETE		1	*			
C10	263005-3	RUBBER PIN 6		2	*			
026-1	136660-3	HANDLE COVER ASSEMBLY	O	1				
C10	263005-3	RUBBER PIN 6		2				
027	251586-9	FLAT HEAD SQUARE NECK BOLT M6X		1				
028	140Y21-1	GEAR HOUSING COMPLETE		1				
C10	213430-8	O RING 28		1				
029	227855-0	HELICAL GEAR 45		1				
030	961052-5	RETAINING RING (EXT) S-12		1				
031	213444-7	O RING 30		1				
032	135948-8	BEARING BOX ASSEMBLY		1				

Please order the parts with part number.

Print Date 24/10/2023

Model No.DCC500 125MM CORDLESS DUSTLESS CUTTER

Item	Parts No.	Description	I/C	Qty	New/Old	Opt. 1	Opt. 2	Note
D10		INC. 31						
033	911223-4	PAN HEAD SCREW M5X16		2				
034	211129-9	BALL BEARING 6201DDW		1				
035	325603-2	SPINDLE		1				
036	285858-0	BEARING RETAINER 19-33		1				
037	213279-6	O RING 18		1				
038	253397-8	CUP WASHER 15		1				
039	224423-0	INNER FLANGE 36		1				
040	224424-8	OUTER FLANGE 36		1				
041	266510-9	HEX. SOCKET HEX. BOLT M6X18		1				
042	252649-4	THUMB NUT M6		1				
043	941151-9	FLAT WASHER 6		1				
044	265939-6	FLAT HEAD SQ. NECK BOLT M6X14		1				
045	162951-6	BASE		1				
046	266264-8	H.S.SET SCREW(FLAT POINT)M5X6		1				
047	252103-8	HEX. LOCK NUT M5-8		1				
048	266515-9	+ PAN HEAD SCREW M5		1				
049	257982-9	BOW STOP RING E-8		1				
050	347399-5	LEVER PLATE		1				
051	264103-6	HEX. NUT M6		1				
052	253111-2	FLAT WASHER 6		1				
053	286036-5	CAP		1				
054	127750-3	DUST COVER ASSEMBLY A		1				
D10		INC. 55-64						
055	416741-2	ELBOW		1				
056	213460-9	O RING 35		1				
057	266326-2	TAPPING SCREW 4X18		2				
058	413294-2	DUST COVER R		1				
059	347787-6	PLATE		1				
060	213005-3	O RING 5		1				
061	413292-6	DUST COVER L		1				
062	233267-7	COMPRESSION SPRING 7		1				
063	941151-9	FLAT WASHER 6		1				
064	265658-4	PAN HEAD SCREW M6X26		1				
065	620K37-3	CONTROLLER B	S	1				
066	652119-7	PAN HEAD SCREW M2X6	S	6				
A01	783217-7	HEX. WRENCH 5		1				
A02	126738-0	DUST BAG ASSEMBLY		1				
C10	410602-8	FASTENER		1				
F02	199140-0	GUIDE RAIL 1000 SET		1				
F03	196943-3	BASE COVER SET		1				
F04	198673-2	GUIDE RAIL ADAPTER SET		1				

Please order the parts with part number.

Print Date 24/10/2023