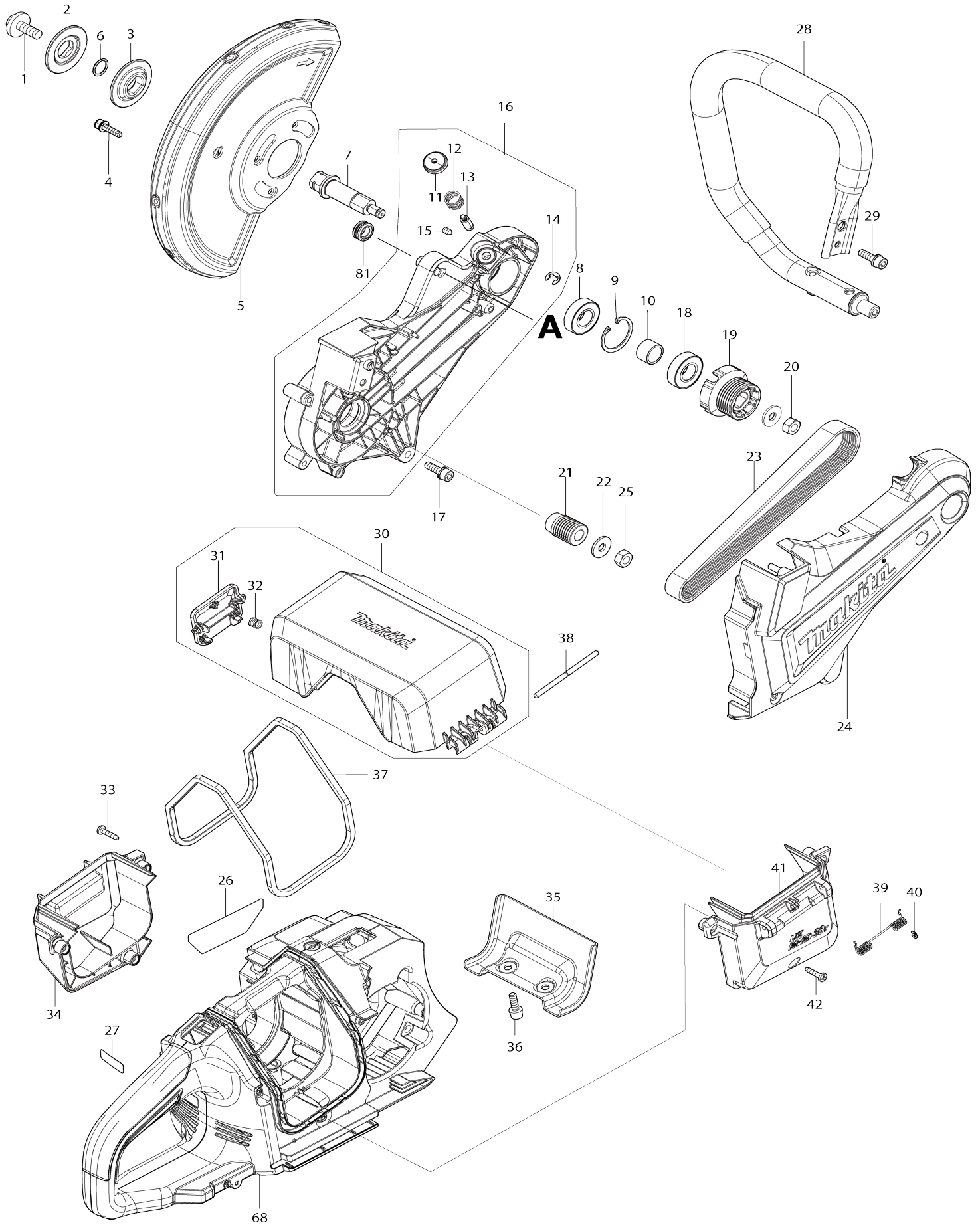
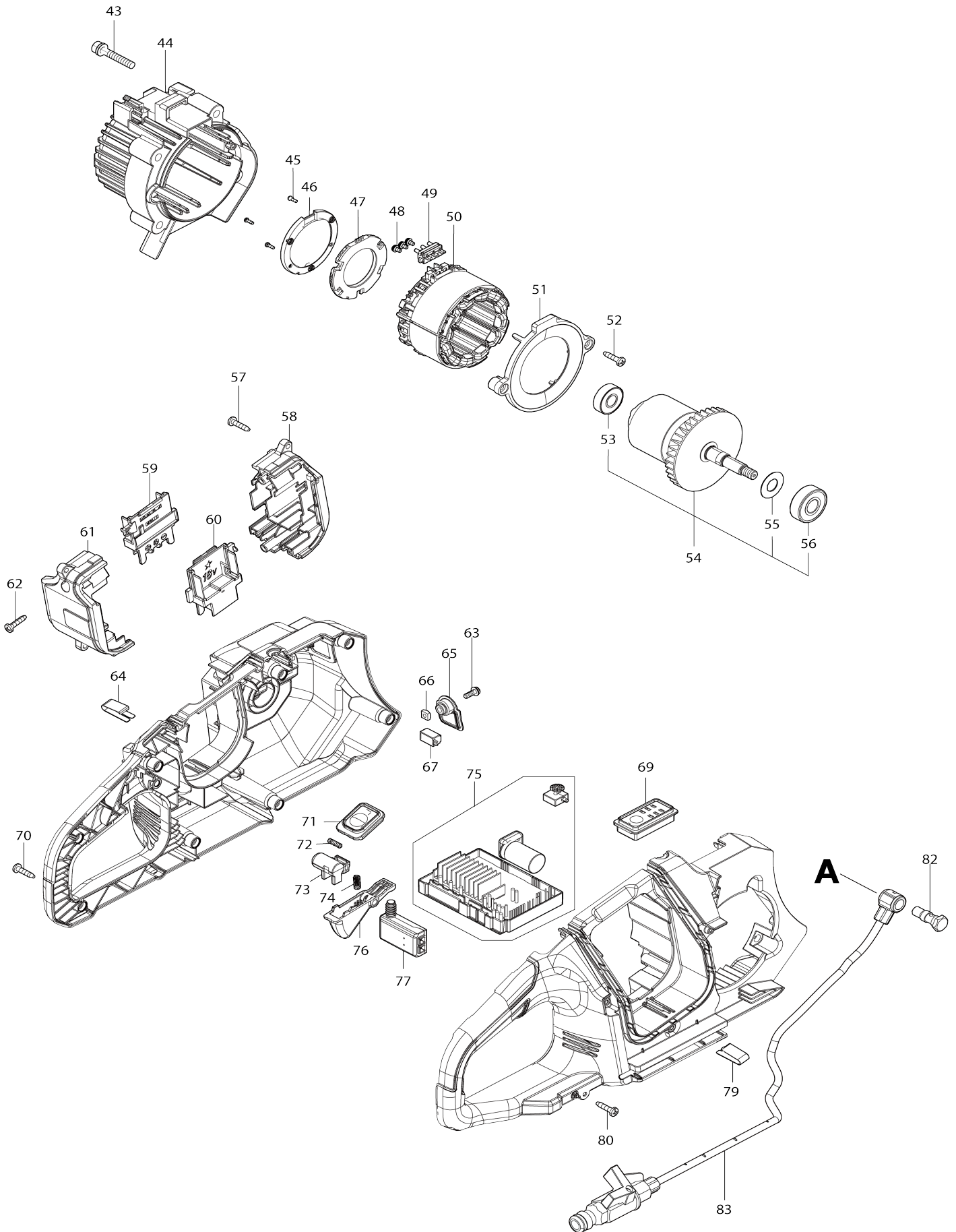


Model No.DCE090 230MM CORDLESS POWER CUTTER



Model No.DCE090 230MM CORDLESS POWER CUTTER



Model No.DCE090 230MM CORDLESS POWER CUTTER

Item No.	Parts No.	Description	Interchangability	Q'ty	New/Old	Note1	Note2
001	266690-1	HEX. BOLT M8X25		1			
002	224604-6	OUTER FLANGE 46		1			
003	224605-4	INNER FLANGE 46		1			
004	922233-6	H.S.H.BOLT M5X20 WITH WR		3			
005	162742-5	WHEEL COVER 230		1	*		
005-1	162964-7	WHEEL COVER 230	O	1			
006	213162-7	O RING 14		1			
007	327532-5	SPINDLE		1			
008	211232-6	BALL BEARING 6002LLU		1			
009	962151-6	RETAINING RING R-32		1			
010	257491-8	SLEEVE 15		1			
011	451485-7	PIN CAP		1			
012	233089-5	COMPRESSION SPRING 12		1			
013	256947-8	SHOULDER PIN 7		1			
014	961012-7	STOP RING E-6		1			
015	265880-3	H.S.SET SCREW(CONE POINT)M5 X8		1			
016	136250-2	CUTTING DEVICE ASSY		1	*		
D10		INC. 11-15					
016-1	136761-7	CUTTING DEVICE ASSY	S	1			
D10		INC. 11-15					
017	922333-2	HEX.SOCKET HD BOLT M6X20		1			
018	211232-6	BALL BEARING 6002LLU		1			
019	222197-7	V PULLEY 7-34.6		1			
020	931402-8	HEX. NUT M8		1	*		
020-1	931402-8	HEX. NUT M8	O	1			
021	222198-5	V PULLEY 7-20.5		1			
022	253762-1	FLAT WASHER 8		2			
023	225104-9	V BELT 7-454		1			
024	140U35-6	BELT COVER COMPLETE		1			
C10	265B09-3	H.S. HEAD BOLT M5X30 WITH WR		3			
025	252154-1	HEX. NUT M8-13		1			
026	856Y91-7	DCE090 NAME PLATE		1			
027	856Y97-5	DCE090 SERIAL NO. LABEL		1			
028	273025-9	FRONT GRIP 26		1			
029	922333-2	HEX.SOCKET HD BOLT M6X20		1			
030	136218-8	BATTERY UPPER ASSY		1			
D10		INC. 31,32					
031	412348-2	BATTERY COVER HOOK		1			
032	231240-1	COMPRESSION SPRING 7		1			
033	266326-2	TAPPING SCREW 4X18		3			
034	412344-0	BATTERY LOWER COVER L		1			
035	347659-5	GUIDE PLATE		1			
036	922333-2	HEX.SOCKET HD BOLT M6X20		2			
037	422566-4	BATTERY COVER SEAL		1			
038	256948-6	ROD 4		1			
039	232594-9	TORSION SPRING 5		1			

040	961017-7	STOP RING E-3		1		
041	412346-6	BATTERY LOWER COVER R		1		
042	266326-2	TAPPING SCREW 4X18		3		
043	922358-6	H.S.H.BOLT M6X35 WITH WR		4		
044	412277-9	MOTOR HOUSING		1		
045	266490-9	TAPPING SCREW PT 2X6		3		
046	687B69-9	STOPPER		1		
047	620C87-0	CONTROLLER B		1		
048	652031-1	PAN HEAD SCREW M3X6		3		
049	632P83-4	LEAD UNIT		1		
050	629492-0	STATOR		1		
051	459144-7	BAFFLE PLATE		1		
052	266326-2	TAPPING SCREW 4X18		2		
053	210059-1	BALL BEARING 6000DDW		1		
054	519629-6	ROTOR ASSY		1	*	
D10		INC. 53,55,56				
054-1	519629-6	ROTOR ASSY	O	1		
D10		INC. 53,55,56				
055	253759-0	FLAT WASHER 12		1		
056	211137-0	BALL BEARING 6201LLU		1		
057	266326-2	TAPPING SCREW 4X18		4		
058	183E46-2	TERMINAL BOX SET		1		
D10		INC. 61				
059	643874-2	TERMINAL		1		
060	643874-2	TERMINAL		1		
061	183E46-2	TERMINAL BOX SET		1		
D10		INC. 58				
062	266326-2	TAPPING SCREW 4X18		2		
063	911118-1	PAN HEAD SCREW M4X12		1		
064	232267-4	LEAF SPRING		1		
065	412347-4	LENS		1		
066	252173-7	SQUARE NUT		1		
067	620C88-8	LED CIRCUIT		1		
068	136219-6	HOUSING ASSY		1		
D10		INC. 63-66,79				
069	140F08-9	LED CIRCUIT COMPLETE		1		
C10	818A73-3	INDICATION LABEL		1		
070	266326-2	TAPPING SCREW 4X18		8		
071	140U77-0	SWITCH CIRCUIT COMPLETE		1		
C10	8013T3-3	SWITCH LABEL		1		
072	232595-7	COMPRESSION SPRING 3		1	*	
072-1	232699-5	COMPRESSION SPRING 3	<	1		
073	412343-2	LOCK OFF BUTTON		1	*	
073-1	413687-3	LOCK OFF BUTTON	<	1		
074	232353-1	COMPRESSION SPRING 4		1	*	
074-1	233064-1	COMPRESSION SPRING 4	<	1		
075	620C86-2	CONTROLLER		1		
076	412342-4	SWITCH LEVER		1	*	
076-1	413615-8	SWITCH LEVER	<	1		
077	651083-9	SWITCH C3XA-1PSPM		1		
079	232267-4	LEAF SPRING		1		
080	266326-2	TAPPING SCREW 4X18		1		

081	424623-4	GROMMET		1			
082	265B45-9	HEX. BOLT M8X27		1	*		
082-1	265C69-1	HEX, BOLT M8X39	S	1			
083	127491-1	HOSE ASSEMBLY		1			
A01	123121-2	COUPLING SLEEVE		1			
A02	782023-7	WRENCH 13-16		1			
A03	783202-0	HEX. WRENCH 4		1			
A04	E-03006	ABRASIVE CUT-OFF WHEEL/ INOX		1			
A06	***DC18RD	DC18RD TWO PORT FAST CHARGER		1			
D10		COMPO-PARTS					
A07	197280-8	BATTERY BL1850B SET		2			

Please state Parts No. when your order.

Print Date 26/10/2023