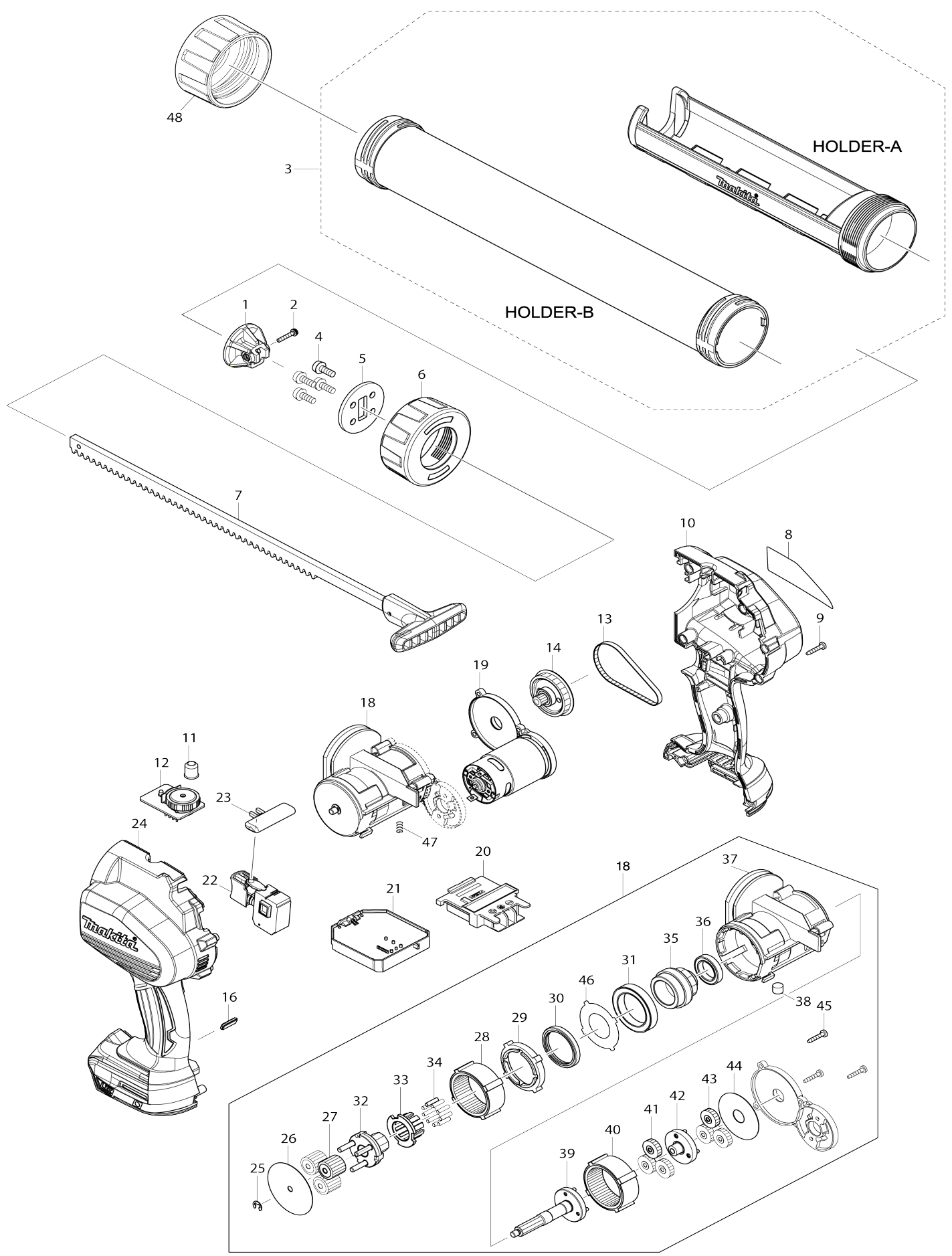


# Model No.DCG140 CORDLESS CAULKING GUN



# Model No.DCG140 CORDLESS CAULKING GUN

Item No.	Parts No.	Description	Interchangeability	Q'ty	New/Old	Note1	Note2
001	142072-0	PISTON B COMPLETE		1			
002	266827-0	PAN HEAD SCREW M3X18 WITH WR		1			
003	141861-0	HOLDER B COMPLETE		1	*		
003-1	141M10-7	HOLDER B COMPLETE	S	1			
004	265074-0	PAN HEAD SCREW M5X16		4			
005	346649-5	PLATE		1			
006	318958-2	HOLDER JOINT B		1	*		
006-1	312D41-1	HOLDER JOINT B	S	1			
007	142042-9	RACK 64 COMPLETE		1			
008	815N24-5	DCG140 NAME PLATE		1			
009	266429-2	TAPPING SCREW 3X16		9	*		
009-1	266130-9	TAPPING SCREW BIND PT 3X16	O	9			
010	187616-9	HOUSING SET		1			
C10	263005-3	RUBBER PIN 6		2			
D10		INC. 24					
011	418821-0	LENS		1			
012	620180-2	SUB CONTROLLER		1			
013	225097-0	SYNCHRO BELT 4-176		1			
014	142038-0	SPUR GEAR 9A COMPLETE		1			
016	454230-9	LENS		1			
018	126253-4	GEAR ASSEMBLY		1			
D10		INC. 25-46					
019	142044-5	MOTOR COMPLETE		1			
020	643850-6	TERMINAL		1			
021	632A60-6	CONTROLLER UNIT		1	*		
C10	688172-7	LINE FILTER		1	*		
021-1	632L32-7	CONTROLLER UNIT	O	1			
C10	688172-7	LINE FILTER		1			
022	650632-9	SWITCH		1			
023	451162-1	LOCK LEVER		1			
024	187616-9	HOUSING SET		1			
C10	263005-3	RUBBER PIN 6		2			
D10		INC. 10					
025	961011-9	STOP RING E-4		1			
026	267465-1	FLAT WASHER 5		1			
027	227311-0	SPUR GEAR 19B		3			
028	227309-7	INTERNAL GEAR 48		1			
029	454220-2	SPACER		1	*		
029-1	144375-8	SPACER COMPLETE	S	1			
030	213768-1	OIL SEAL 30		1	*		
031	211294-4	BALL BEARING 6806LLU		1			
032	141860-2	CARRIER A COMPLETE		1			
033	313253-5	CARRIER B		1			
034	256255-7	PIN 3		9			
035	227312-8	SPUR GEAR 10		1			
036	211482-3	BALL BEARING 6803LLU		1			
037	454219-7	GEAR HOUSING		1			

038	313257-7	MAGNET		1			
039	141859-7	SPUR GEAR 9C COMPLETE		1			
040	227309-7	INTERNAL GEAR 48		1			
041	227310-2	SPUR GEAR 19A		3			
042	141858-9	SPUR GEAR 9B COMPLETE		1			
043	227310-2	SPUR GEAR 19A		3			
044	267466-9	FLAT WASHER 12		1			
045	266429-2	TAPPING SCREW 3X16		3	*		
045-1	266130-9	TAPPING SCREW BIND PT 3X16	O	3			
046	346721-3	PLATE 23		1			
047	234315-5	COMPRESSION SPRING 6		1			
048	318958-2	HOLDER JOINT B		1	*		
048-1	312D41-1	HOLDER JOINT B	S	1			
A01	195246-2	SAFETY GOGGLE		1	*		
A02	123221-8	PISTON C ASSEMBLY		1			
A03	142071-2	PISTON A COMPLETE		1			
A04	266827-0	PAN HEAD SCREW M3X18 WITH WR		2			
A05	424547-4	RUBBER RING		1			
A06	454226-0	NOZZLE		3			
F02	194558-0	BATTERY BL1415 SET		1			
F04-3	197622-6	BATTERY BL1430B SET(2PIECES)	O	1	*		
F05	195443-0	BATTERY BL1415 SET		1			
F06-3	197615-3	BATTERY BL1430B SET	O	1			
F07	196351-8	HOLDER A SET		1			
F08-1	1911T4-0	HOLDER B SET	O	1			
F10-2	196875-4	BATTERY BL1415N SET	O	1			
F11-2	196877-0	BATTERY BL1415N SET	O	1			
F13	197195-9	HOLDER C SET(TYPE 1)		1			
C10	143220-4	RACK 53 COMPLETE		1			
C20	143221-2	PISTON D COMPLETE		1			
C30	143223-8	HOLDER JOINT C COMPLETE		1			
C40	266827-0	PAN HEAD SCREW M3X18 WITH WR		1			
C50	455951-6	HOLDER C		1			
C60	455952-4	HOLDER JOINT C		1			
F16-1	1911T5-8	HOLDER D SET	O	1			
A02	450128-8	BATTERY COVER		1			
A03	***DC18RC	DC18RC FAST CHARGER		1			
A04	194065-3	BATTERY BL1430 SET		2	*		
A04-1	194065-3	BATTERY BL1430 SET	O	2	*		
A04-2	197616-1	BATTERY BL1430B SET	<	2	*		
A04-3	197616-1	BATTERY BL1430B SET	O	2			
A05	821568-1	PLASTIC CASE		1			
C10	162271-8	LATCH		2			
A06	803R74-6	DCG140RFEB PLASTIC CASE LABEL		2			
A07	123221-8	PISTON C ASSEMBLY		1			
A08	142071-2	PISTON A COMPLETE		1			
A09	266827-0	PAN HEAD SCREW M3X18 WITH WR		2			
A10	424547-4	RUBBER RING		1			

A11	454226-0	NOZZLE		3			
A04	196388-5	BATTERY BL1440 SET		2	*		
A04-1	196388-5	BATTERY BL1440 SET	O	2			
A06	806P20-6	DCG140RMEB PLASTIC CASE LAB EL		2			

Please state Parts No. when your order.

Print Date 10/25/2023