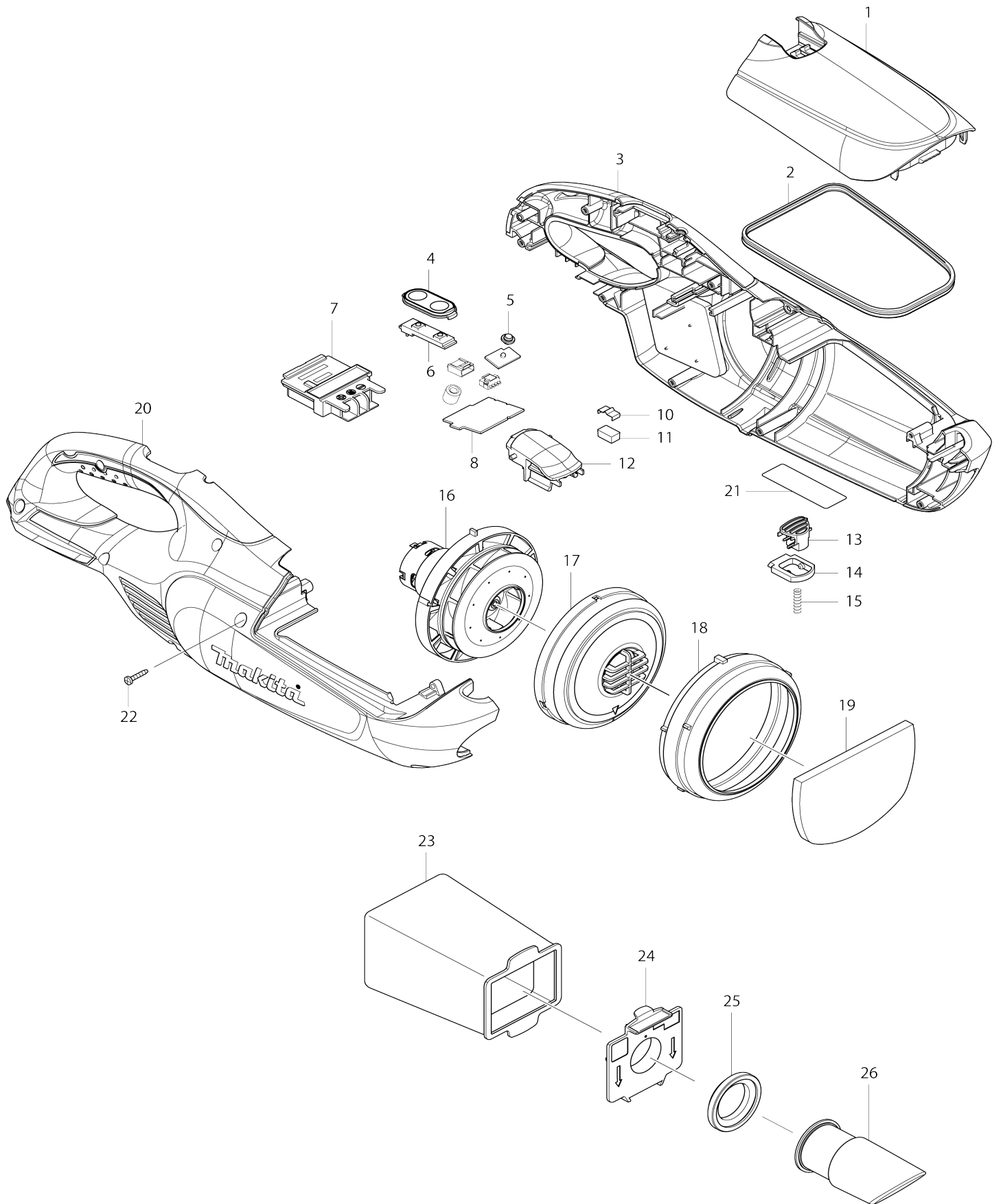


# Model No.DCL182 CORDLESS CLEANER



Model No.DCL182 CORDLESS CLEANER

Item No.	Parts No.	Description	Interchangability	Q'ty	New/Old	Note1	Note2
001	452349-8	FRONT COVER		1			
002	424093-7	SEAL		1			
003	188998-2	HOUSING SET		1			
C10	424209-4	SPONGE SHEET 50-50		2			
D10		INC. 20					
004	140463-9	SWITCH PLATE COMPLETE		1			
C10	816528-6	SWITCH LABEL		1			
005	450522-4	LENS		1			
006	631973-2	SWITCH UNIT		1			
007	643860-3	TERMINAL		1			
008	638866-4	CONTROLLER UNIT		1	*		
C10	688164-6	LINE FILTER		1	*		
C11	688161-2	LINE FILTER	<	1	*		
C20	654069-2	RECEPTACLE		2	*		
008-1	632H41-2	CONTROLLER UNIT	<	1			
C11	688161-2	LINE FILTER	<	1			
C20	654069-2	RECEPTACLE		2	*		
C21	654086-2	RECEPTACLE	O	2			
010	232264-0	LEAF SPRING		1			
011	424367-6	RUBBER		1			
012	452347-2	FRONT COVER JOINT		1			
013	452351-1	BUTTON		1			
014	452352-9	STOPPER		1			
015	234205-2	COMPRESSION SPRING 4		1	*		
015-1	233344-5	COMPRESSION SPRING 4	<	1			
016	125932-1	MOTOR ASSEMBLY		1			
C10	240102-2	FAN 82		1			
C20	265199-0	+ PAN HEAD SCREW M3X8		2			
C30	452455-9	BASE		1			
017	416030-5	FAN COVER		1			
018	424320-2	RUBBER RING		1			
019	423287-1	SPONGE SHEET 70-106		1	*		
019-1	424804-0	SPONGE SHEET 76-110	<	1			
020	188998-2	HOUSING SET		1			
C10	424209-4	SPONGE SHEET 50-50		2			
D10		INC. 3					
021	815G97-6	DCL182 NAME PLATE		1			
022	266429-2	TAPPING SCREW 3X16		9	*		
022-1	266130-9	TAPPING SCREW BIND PT 3X16	O	9			
023	166084-9	DUST BAG		1			
024	141088-2	VALVE STAY COMPLETE		1	*		
024-1	143677-9	VALVE STAY COMPLETE	<	1			
025	424094-5	PACKING		1			
026	452345-6	INLET		1			
027	268271-7	PIN 3		1			
028	233580-3	TORSION SPRING 4		1			
A01	122859-6	NOZZLE ASS'Y		1	*		

C10	451410-8	ROLLER		4	*		
C20	268208-4	PIN 3		4	*		
C30	424096-1	WIPER		1	*		
A01-1	123488-8	FLOOR T-NOZZLE 28 BLU	<	1			
C10	451410-8	ROLLER		4			
C20	268208-4	PIN 3		4			
C30	424096-1	WIPER		1	*		
C31	422963-4	WIPER	O	1			
A02	451243-1	SASH NOZZLE 28 BLU		1	*		
A02-1	413859-0	SASH NOZZLE	O	1			
A03	451244-9	PIPE		1			
A04	451245-7	SASH NOZZLE HOLDER		1			
A05	194566-1	PAPER FILTER SET (5PCS/SET)		1	*		
A05-1	198745-3	PAPER FILTER SET	O	1			
F02	191496-7	FLEXIBLE HOSE SET28(IVO)		1			
F08	198527-3	FLOOR/CARPET T-NOZZLE BLU		1			
F12	198529-9	FLOOR/CARPET T-NOZZLE BLK E U		1			
F13	198537-0	SHELF BRUSH SET28 IVO EU		1			
F15	198538-8	SHELF BRUSH SET28 BLU		1			
F17	198540-1	SHELF BRUSH SET28 BLK EU		1			
F24	198552-4	ROUND BRUSH SET 28 IVO		1			
F29-1	198560-5	TELESCOPIC PIPE SET 28 EU	O	1			
F42	199039-9	SEAT NOZZLE SET 28 BLK		1			
F44	199041-2	SEAT NOZZLE SET 28 BLU		1			
F50	198990-0	LONG SASH NOZZLE SET 28 BLU		1			
F55	194565-3	PAPER FILTER(10PCS)		1			
F92	1911L1-0	CLEANER STAND SET		1			
001	452348-0	FRONT COVER		1			
003	188991-6	HOUSING SET		1			
012	452346-4	FRONT COVER JOINT		1			
013	452350-3	BUTTON		1			
020	188991-6	HOUSING SET		1			
026	452344-8	INLET		1			
A01-1	123486-2	FLOOR T-NOZZLE 28 WHI		1			
A02	451240-7	SASH NOZZLE 28 WHI		1	*		
A02-1	413770-6	SASH NOZZLE	O	1			
A03	451241-5	PIPE		1			
A04	451242-3	SASH NOZZLE HOLDER		1			

Please state Parts No. when your order.

Print Date 10/19/2023