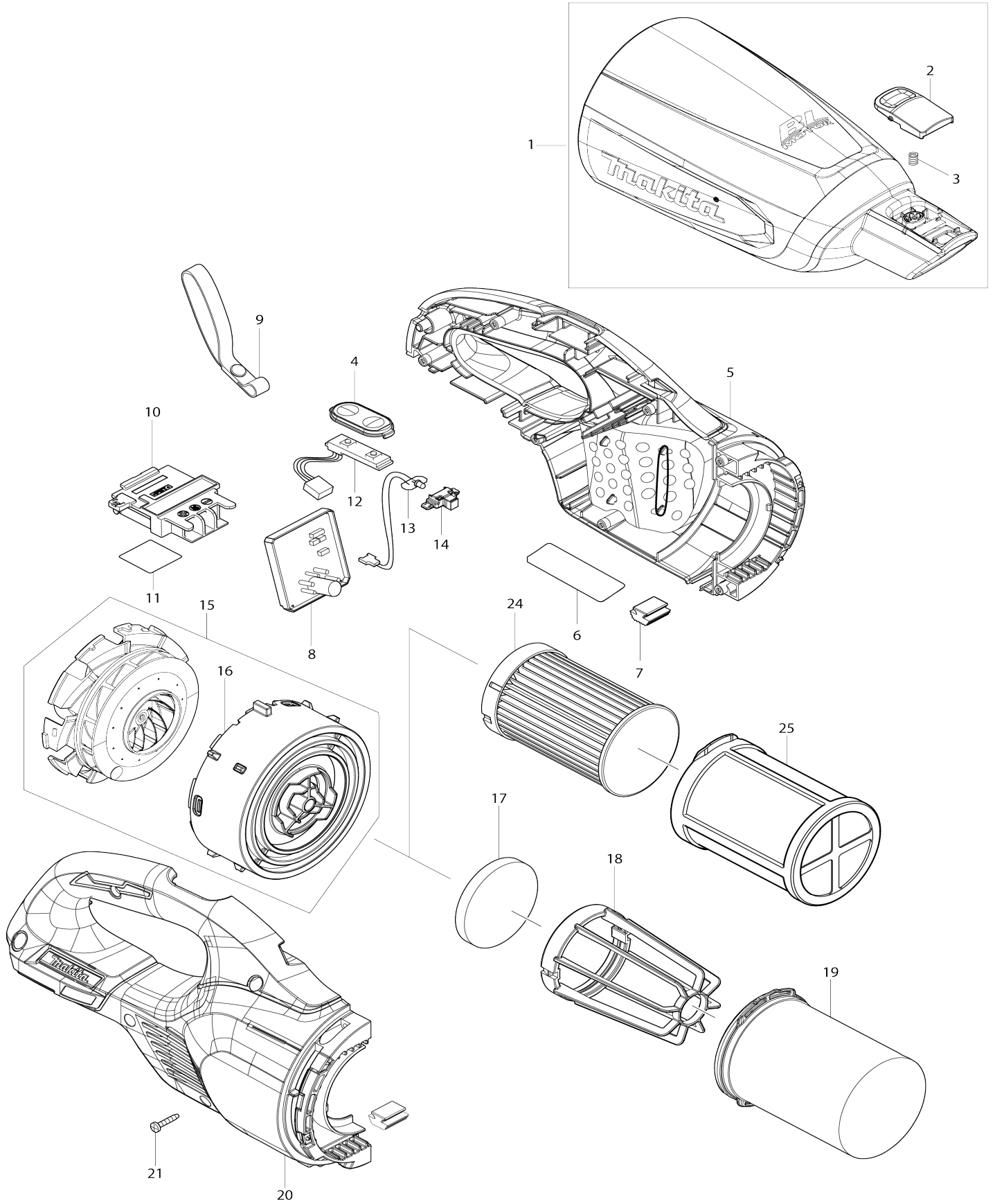


# Model No.DCL281F CORDLESS CLEANER



Model No.DCL281F CORDLESS CLEANER

Item No.	Parts No.	Description	Interchangability	Q'ty	New/Old	Note1	Note2
001	136106-9	CAPSULE ASS'Y		1			
C10	266326-2	TAPPING SCREW 4X18		1	*		
C11	251530-6	TAPPING SCREW 4X18	S	1			
C20	424208-6	VALVE		1			
C30	941051-3	FLAT WASHER 4		1	*		
D10		INC. 2,3					
002	458939-5	BUTTON A		1			
003	232485-4	COMPRESSION SPRING 5		1			
004	144096-2	SWITCH PLATE COMPLETE		1			
005	183L71-5	HOUSING SET		1			
C10	263005-3	RUBBER PIN 6		2			
C20	422458-7	SPONGE SHEET 55-80		2			
C30	213008-7	O RING 22.4		2			
D10		INC. 7,20					
006	855T19-2	DCL281F NAME PLATE		1			
007	422460-0	RUBBER PLATE		2			
008	620A75-5	CONTROLLER		1			
010	643874-2	TERMINAL		1			
011	855T26-5	DCL281F SERIAL NO. LABEL		1			
012	620A77-1	SWITCH UNIT		1			
013	620A76-3	LED CIRCUIT		1	*		
013-1	620E82-2	LED CIRCUIT	<	1			
014	459478-8	LENS CASE		1			
015	136092-4	MOTOR ASS'Y		1			
D10		INC. 16					
016	459322-9	FAN COVER		1			
020	183L71-5	HOUSING SET		1			
C10	263005-3	RUBBER PIN 6		2			
C20	422458-7	SPONGE SHEET 55-80		2			
C30	213008-7	O RING 22.4		2			
D10		INC. 5,7					
021	266429-2	TAPPING SCREW 3X16		7			
024	199989-8	FILTER H SET		1			
025	198751-8	PRE FILTER SET EU		1			
A01	123486-2	FLOOR T-NOZZLE 28 WHI		1			
C10	451410-8	ROLLER		4			
C20	268208-4	PIN 3		4			
C30	424096-1	WIPER		1	*		
C31	422963-4	WIPER	O	1			
A02	451240-7	SASH NOZZLE 28 WHI		1	*		
A02-1	413770-6	SASH NOZZLE	O	1			
A03	191D76-3	STRAIGHT PIPE SET 340		1			
A04	459354-6	NOZZLE HOLDER		1			
A05	191D71-3	CYCLONE ATTACHMENT SET (LOCK)		1	*		
D10		COMPO-PARTS					
A05-1	191D71-3	CYCLONE ATTACHMENT SET (LOCK)	O	1			

D10		COMPO-PARTS				
F07	198527-3	FLOOR/CARPET T-NOZZLE BLU		1		
F09	198529-9	FLOOR/CARPET T-NOZZLE BLK EU		1		
F12	198538-8	SHELF BRUSH SET28 BLU		1		
F13	198540-1	SHELF BRUSH SET28 BLK EU		1		
F33	198915-4	FILTER SET		1		
F38	198990-0	LONG SASH NOZZLE SET 28 BLU		1		
F43	199039-9	SEAT NOZZLE SET 28 BLK		1		
F45	199041-2	SEAT NOZZLE SET 28 BLU		1		
F48	199901-8	TOOL BAG SET		1		
F74	191E30-3	FLEXIBLE HOSE SET(LOCK)		1		
F88	191X06-4	NOZZLE ASSEMBLY SET		1		
F89	1910D4-2	CYCLONE UNIT SET		1		
F90	1910D3-4	CYCLONE UNIT SET		1		
F91	1910D5-0	CYCLONE UNIT SET		1		
F92	1911L1-0	CLEANER STAND SET		1		
A06	***DC18RC	DC18RC FAST CHARGER		1		
D10		COMPO-PARTS				
A07	197280-8	BATTERY BL1850B SET		1		
A08	450128-8	BATTERY COVER		1		

Please state Parts No. when your order.

Print Date 10/19/2023