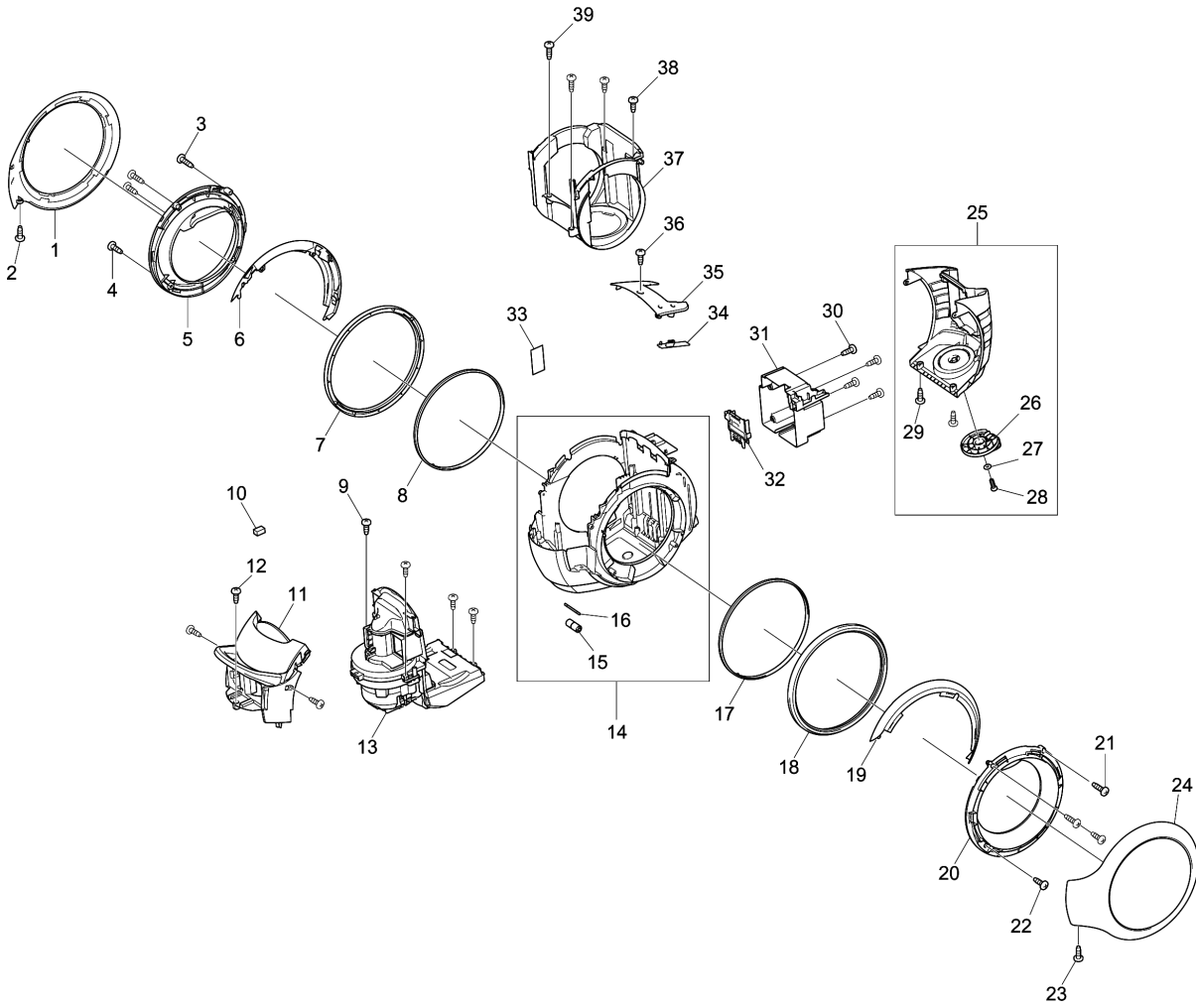
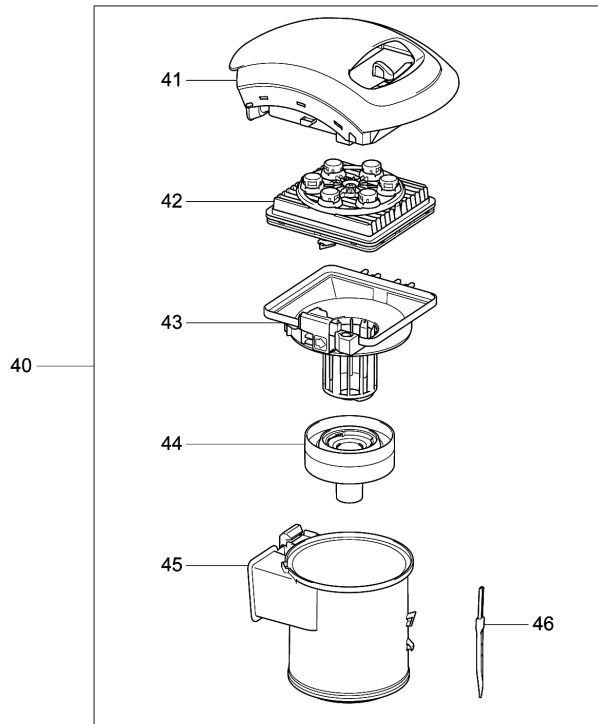


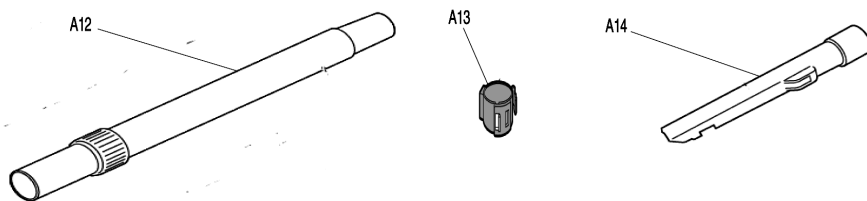
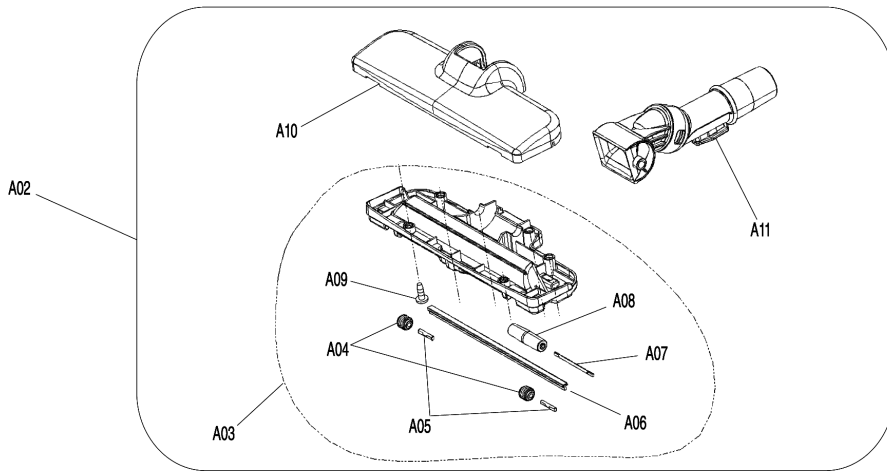
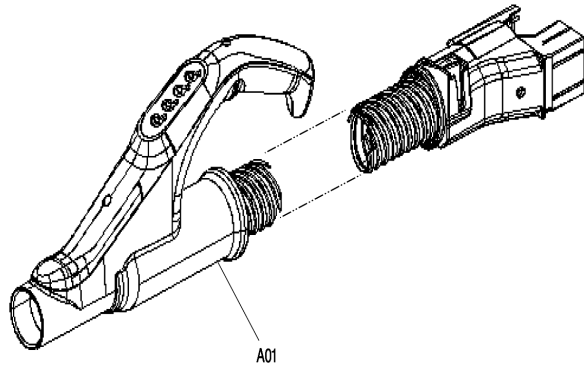
Model No.DCL500 CORDLESS CYCLONE CLEANER



Model No.DCL500 CORDLESS CYCLONE CLEANER



Model No.DCL500 CORDLESS CYCLONE CLEANER



Model No.DCL500 CORDLESS CYCLONE CLEANER

| Item  | Parts No.  | Description             | I/C | Qty | New/Old | Opt. 1 | Opt. 2 | Note |
|-------|------------|-------------------------|-----|-----|---------|--------|--------|------|
| 001   | SH00000011 | BODY DECORATION L       |     | 1   |         |        |        |      |
| 002   | SH00000021 | SCREW M4X12 BLACK       |     | 1   |         |        |        |      |
| 003   | SH00000020 | SCREW M4X16 SILVER      |     | 2   |         |        |        |      |
| 004   | SH00000019 | SCREW M4X12 SILVER      |     | 2   |         |        |        |      |
| 005   | SH00000009 | WHEEL COVER L           |     | 1   |         |        |        |      |
| 006   | SH00000006 | UPPER BODY L            |     | 1   |         |        |        |      |
| 007   | SH00000002 | WHEEL BASE              |     | 1   |         |        |        |      |
| 008   | SH00000003 | WHEEL GIDE              |     | 1   |         |        |        |      |
| 009   | SH00000019 | SCREW M4X12 SILVER      |     | 4   |         |        |        |      |
| 010   | SH00000051 | FERRITE                 |     | 1   |         |        |        |      |
| 011   | SH00000015 | DUCT COVER ASSY         |     | 1   |         |        |        |      |
| 012   | SH00000019 | SCREW M4X12 SILVER      |     | 3   |         |        |        |      |
| 013   | SH00000001 | ELECTRONIC DEVICE       |     | 1   | *       |        |        |      |
| 013-1 | SH00000061 | ELECTRONIC DEVICE       | <   | 1   | *       |        |        |      |
| 013-2 | SH00000404 | ELECTRIC EQUIPMENT UNIT | O   | 1   |         |        |        |      |
| 014   | SH00000005 | LOWER BODY 2ND ASSY     |     | 1   |         |        |        |      |
| D10   |            | INC. 15,16              |     |     |         |        |        |      |
| 015   | SH00000057 | ROLLER D                |     | 1   |         |        |        |      |
| 016   | SH00000047 | ROLLER SHAFT D          |     | 1   |         |        |        |      |
| 017   | SH00000003 | WHEEL GIDE              |     | 1   |         |        |        |      |
| 018   | SH00000002 | WHEEL BASE              |     | 1   |         |        |        |      |
| 019   | SH00000007 | UPPER BODY R            |     | 1   |         |        |        |      |
| 020   | SH00000010 | WHEEL COVER R           |     | 1   |         |        |        |      |
| 021   | SH00000020 | SCREW M4X16 SILVER      |     | 2   |         |        |        |      |
| 022   | SH00000019 | SCREW M4X12 SILVER      |     | 2   |         |        |        |      |
| 023   | SH00000021 | SCREW M4X12 BLACK       |     | 1   |         |        |        |      |
| 024   | SH00000012 | BODY DECORATION R       |     | 1   |         |        |        |      |
| 025   | SH00000016 | EXHAUST COVER ASSY      |     | 1   |         |        |        |      |
| D10   |            | INC. 26-29              |     |     |         |        |        |      |
| 026   | SH00000048 | FREE FRAME ASSY         |     | 1   |         |        |        |      |
| 027   | SH00000049 | WASHER                  |     | 1   |         |        |        |      |
| 028   | SH00000050 | SPECIAL TAP.SCREW       |     | 1   | *       |        |        |      |
| 028-1 | SH00000019 | SCREW M4X12 SILVER      | O   | 1   |         |        |        |      |
| 029   | SH00000021 | SCREW M4X12 BLACK       |     | 2   |         |        |        |      |
| 030   | SH00000019 | SCREW M4X12 SILVER      |     | 4   |         |        |        |      |
| 031   | SH00000018 | BATTERY HOLDER          |     | 1   |         |        |        |      |
| 032   | 643899-6   | TERMINAL                |     | 1   |         |        |        |      |
| 033   | SH00000004 | SEAL TAPE               |     | 1   |         |        |        |      |
| 034   | SH00000017 | MK100 LED CIRCUIT ASS   |     | 1   |         |        |        |      |
| 035   | SH00000014 | LED PANEL ASSY          |     | 1   | *       |        |        |      |
| 035-1 | SH00000259 | LED PANEL ASSY          | O   | 1   |         |        |        |      |
| 036   | SH00000019 | SCREW M4X12 SILVER      |     | 1   |         |        |        |      |
| 037   | SH00000008 | BODY INNNER             |     | 1   |         |        |        |      |
| 038   | SH00000021 | SCREW M4X12 BLACK       |     | 3   |         |        |        |      |
| 039   | SH00000022 | SCREW M4X16 BLACK       |     | 1   |         |        |        |      |

Please order the parts with part number.

Print Date 19/10/2023

Model No.DCL500 CORDLESS CYCLONE CLEANER

| Item  | Parts No.  | Description          | I/C | Qty | New/Old | Opt. 1 | Opt. 2 | Note |
|-------|------------|----------------------|-----|-----|---------|--------|--------|------|
| 040   | SH00000024 | DUST CUP ASSY        |     | 1   | *       |        |        |      |
| 040-1 | SH00000024 | DUST CUP ASSY        | O   | 1   | *       |        |        |      |
| D10   |            | INC. 40-46           |     |     | *       |        |        |      |
| 040-2 | SH00000285 | DUST CUP DK          | <   | 1   |         |        |        |      |
| D10   |            | INC. 40-46           |     |     |         |        |        |      |
| 041   | SH00000026 | CUP COVER ASSY       |     | 1   |         |        |        |      |
| 042   | SH00000027 | CUP FILTER ASSY      |     | 1   | *       |        |        |      |
| 042-1 | SH00000286 | CUP FILTER DK        | <   | 1   |         |        |        |      |
| 043   | SH00000028 | CUP FRAME ASSY       |     | 1   |         |        |        |      |
| 044   | SH00000029 | DUST PLATE           |     | 1   |         |        |        |      |
| 045   | SH00000031 | LOWER DUST CUP ASSY  |     | 1   |         |        |        |      |
| 046   | SH00000032 | CLEANING BRUSH       |     | 1   |         |        |        |      |
| A01   | SH00000034 | P SUC-HOSE 1ST ASS'Y |     | 1   | *       |        |        |      |
| A01-1 | SH00000323 | P SUC-HOSE 1ST ASS'Y | O   | 1   |         |        |        |      |
| A02   | SH00000035 | FLOOR NOZZLE ASSY    |     | 1   | *       |        |        |      |
| A02-1 | SH00000035 | FLOOR NOZZLE ASSY    | O   | 1   | *       |        |        |      |
| D10   |            | INC. A03,A10,A11     |     |     | *       |        |        |      |
| A02-2 | SH00000058 | FLOOR NOZZLE ASSY    | <   | 1   |         |        |        |      |
| D10   |            | INC. A03,A10,A11     |     |     |         |        |        |      |
| A03   | SH00000036 | F UNDER NOZZLE ASSY  |     | 1   | *       |        |        |      |
| A03-1 | SH00000036 | F UNDER NOZZLE ASSY  | O   | 1   |         |        |        |      |
| D10   |            | INC. A04-A09         |     |     |         |        |        |      |
| A04   | SH00000053 | ROLLER S             |     | 1   |         |        |        |      |
| A05   | SH00000054 | ROLLER SHAFT         |     | 1   |         |        |        |      |
| A06   | SH00000052 | BRUSH                |     | 1   |         |        |        |      |
| A07   | SH00000056 | ROLLER SHAFT D       |     | 1   |         |        |        |      |
| A08   | SH00000055 | ROLLER D             |     | 1   |         |        |        |      |
| A09   | SH00000039 | SCREW M4X14 SILVER   |     | 1   | *       |        |        |      |
| A09-1 | SH00000039 | SCREW M4X14 SILVER   | <   | 6   |         |        |        |      |
| A10   | SH00000038 | F UPPER NOZZLE       |     | 1   |         |        |        |      |
| A11   | SH00000037 | DRIVE PIPE ASSY      |     | 1   | *       |        |        |      |
| A11-1 | SH00000059 | DRIVE PIPE ASSY      | <   | 1   |         |        |        |      |
| A12   | SH00000040 | SCREW PIPE ASSY      |     | 1   | *       |        |        |      |
| A12-1 | SH00000060 | SCREW PIPE ASSY      | <   | 1   |         |        |        |      |
| A13   | SH00000041 | HOSE FOOK            |     | 1   |         |        |        |      |
| A14   | SH00000042 | T CREVICE NOZZLE     |     | 1   |         |        |        |      |
| A15   | SH00000043 | MIRROR MAT BAG       |     | 1   |         |        |        |      |
| A16   | 166124-3   | SHOULDER BELT        |     | 1   |         |        |        |      |

Please order the parts with part number.

Print Date 19/10/2023