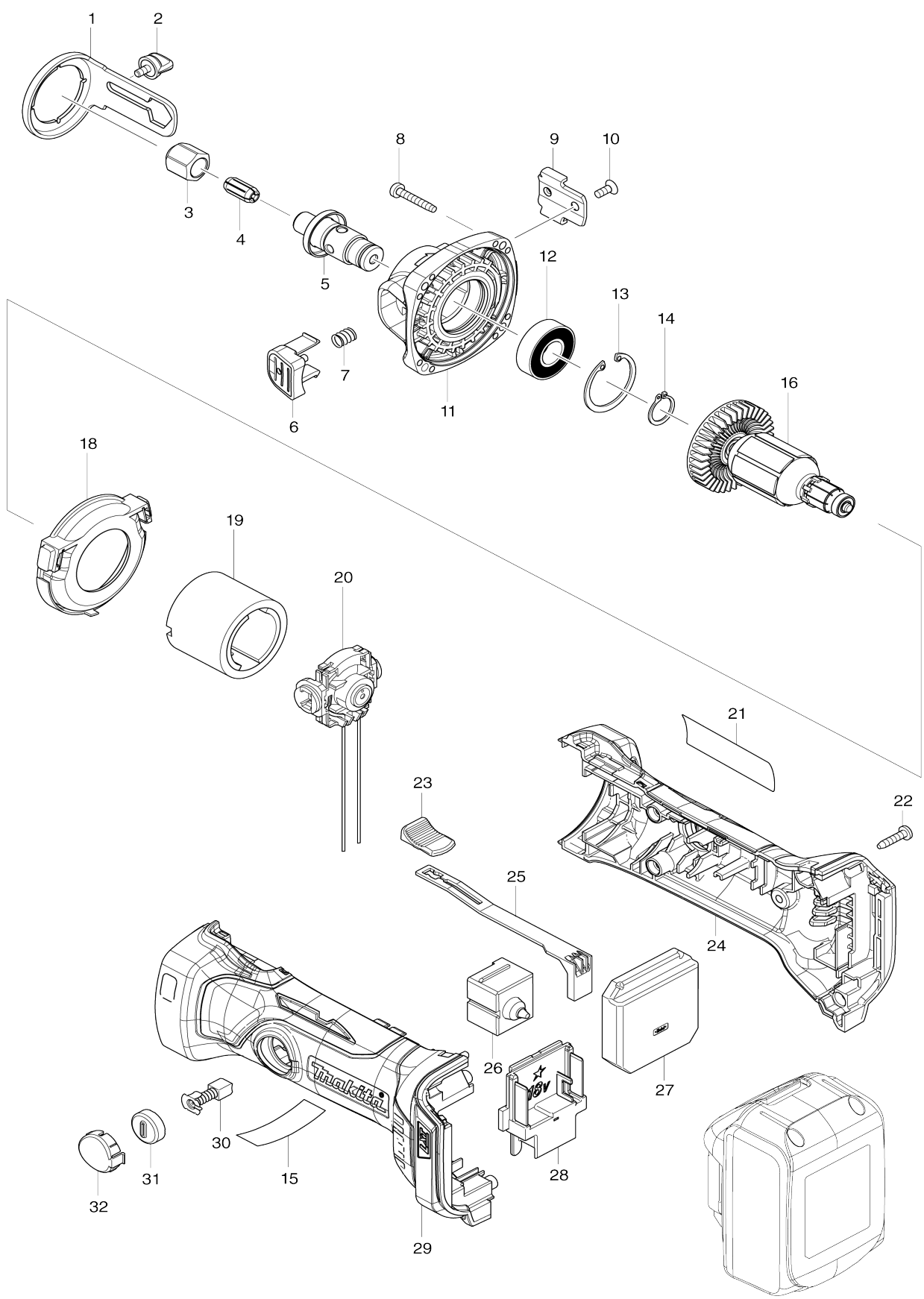


# Model No.DCO180 CORDLESS CUT-OUT TOOL



Model No.DCO180 CORDLESS CUT-OUT TOOL

Item No.	Parts No.	Description	Interchangeability	Q'ty	New/Old	Note1	Note2
001	346796-2	SHOE PLATE		1			
002	266898-7	THUMB SCREW M4X8		1			
003	763675-3	COLLET NUT		1	*		
003-1	763258-9	COLLET NUT	O	1			
004	763677-9	COLLET CONE 3.18		1			
005	142656-4	SPINDLE COMPLETE		1			
006	455181-9	SHAFT LOCK		1			
007	234332-5	COMPRESSION SPRING 7		1			
008	266374-1	TAPPING SCREW 4X25		4			
009	346795-4	SHOE SUPPORT		1			
010	912107-9	COUNTERSUNK HEAD SCREW M4 X8		1			
011	142655-6	BEARING BOX COMPLETE		1			
012	211236-8	BALL BEARING 6002DDW		1			
013	962151-6	RETAINING RING R-32		1			
014	961055-9	RETAINING RING S-15		1			
016	619344-3	ARMATURE		1			
018	455182-7	BAFFLE PLATE		1			
019	638627-2	YOKE UNIT		1			
020	632C14-5	ENDBELL COMPLETE		1			
021	815U77-6	DCO180 NAME PLATE		1			
022	266326-2	TAPPING SCREW 4X18		5			
023	419566-3	SWITCH KNOB		1			
024	187871-3	HOUSING SET		1			
D10		INC. 29					
025	419519-2	SWITCH LEVER		1			
026	650579-7	SWITCH 1246.3223		1			
027	620308-2	CONTROLLER		1			
C10	654037-5	INSULATED TERM. FT1.25-M3		1			
C20	654077-3	INSULATED TERMINAL FK2-M3D-5.5		1			
C30	654208-4	RECEPTACLE		2			
C40	654281-4	RECEPTACLE		1			
C50	654304-8	RECEPTACLE		2			
028	643860-3	TERMINAL		1			
029	187871-3	HOUSING SET		1			
D10		INC. 24					
030	191971-3	CARBON BRUSH CB-430		1			
031	643929-3	BRUSH HOLDER CAP		2			
032	455183-5	HOLDER CAP COVER		2			
A01	193446-8	DRYWALL GUIDE BIT 3.18 SET		2	*		
A01-1	191G69-8	DRYWALL GUIDE BIT 3.18 SET	O	2			
A09	193449-2	DUST COLLECTION COVER		1			
E01	688165-4	LINE FILTER		1			
F05-3	197600-6	BATTERY BL1830B SET	O	1			
F06-4	197599-5	BATTERY BL1830B SET	O	1			

Please state Parts No. when your order.

Print Date 10/19/2023