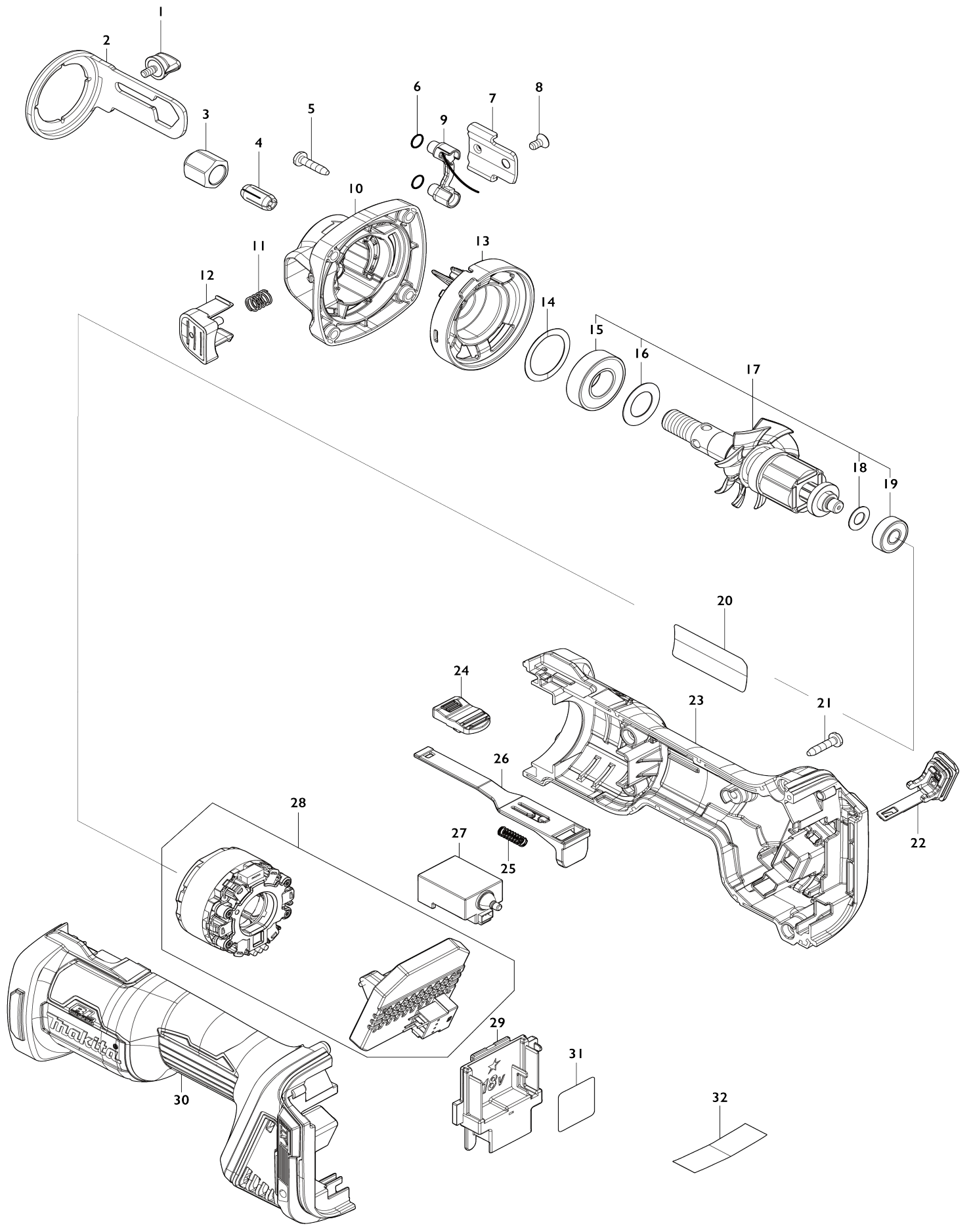


Model No.DCO181 CORDLESS CUT-OUT TOOL



Model No.DCO181 CORDLESS CUT-OUT TOOL

Item No.	Parts No.	Description	Interchangability	Q'ty	New/Old	Note1	Note2
001	266898-7	THUMB SCREW M4X8		1			
002	346796-2	SHOE PLATE		1			
003	763258-9	COLLET NUT		1			
004	763677-9	COLLET CONE 3.18		1			
005	266326-2	TAPPING SCREW 4X18		4			
006	213048-5	O RING 6		2			
007	346795-4	SHOE SUPPORT		1			
008	265085-5	+ COUNTERSUNK HEAD SCREW M4X8		1			
009	620D25-8	LED CIRCUIT		1			
010	140V89-9	BEARING BOX COVER COMPLETE		1			
011	234332-5	COMPRESSION SPRING 7		1			
012	412727-4	SHAFT LOCK		1			
013	412702-0	BEARING BOX		1	*		
013-1	412702-0	BEARING BOX	O	1			
014	267785-3	WAVE WASHER 23		1			
015	211236-8	BALL BEARING 6002DDW		1			
016	267164-5	FLAT WASHER 15		1			
017	519636-9	ROTOR ASS'Y		1			
D10		INC. 15,16,18,19					
018	253186-1	FLAT WASHER 7		1			
019	210017-7	BALL BEARING 607DDW		1			
020	857P76-2	DCO181 NAME PLATE		1			
021	266326-2	TAPPING SCREW 4X18		5			
022	140G30-2	CAP COMPLETE		1			
C10	213218-6	O RING 16		1			
023	183R26-6	HOUSING SET		1			
C10	263005-3	RUBBER PIN 6		2			
C20	252126-6	HEX. LOCK NUT M4-7		1			
D10		INC. 30					
024	455447-7	SWITCH KNOB		1			
025	233121-5	COMPRESSION SPRING 4		1			
026	412233-9	SWITCH LEVER		1			
027	651445-1	SWITCH FPM-1130		1			
028	629A08-7	STATOR COMPLETE		1	*		
028-1	629B70-8	STATOR	S	1			
029	643874-2	TERMINAL		1			
030	183R26-6	HOUSING SET		1			
C10	263005-3	RUBBER PIN 6		2			
C20	252126-6	HEX. LOCK NUT M4-7		1			
D10		INC. 23					
031	857P84-3	DCO181 SERIAL NO. LABEL		1			
033	620L15-9	CONTROLLER	S	1			
034	652119-7	PAN HEAD SCREW M2X6	S	6			
A01	193449-2	DUST COLLECTION COVER		1			
A02	191G69-8	DRYWALL GUIDE BIT 3.18 SET		2			
A04	781037-3	WRENCH 17		1			
F07	195779-7	HOOK SET		1			

Please state Parts No. when your order.

Print Date 10/24/2023