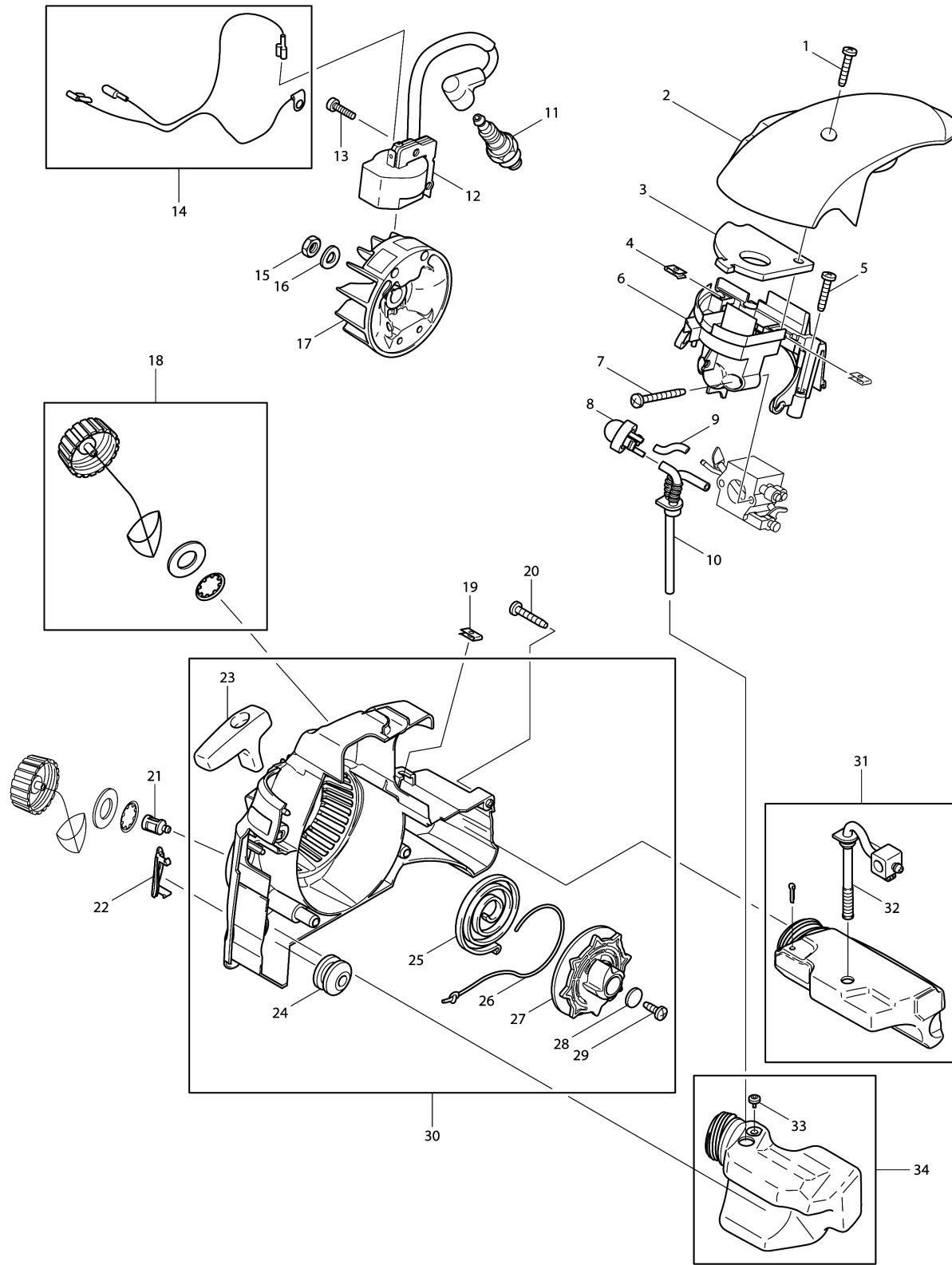
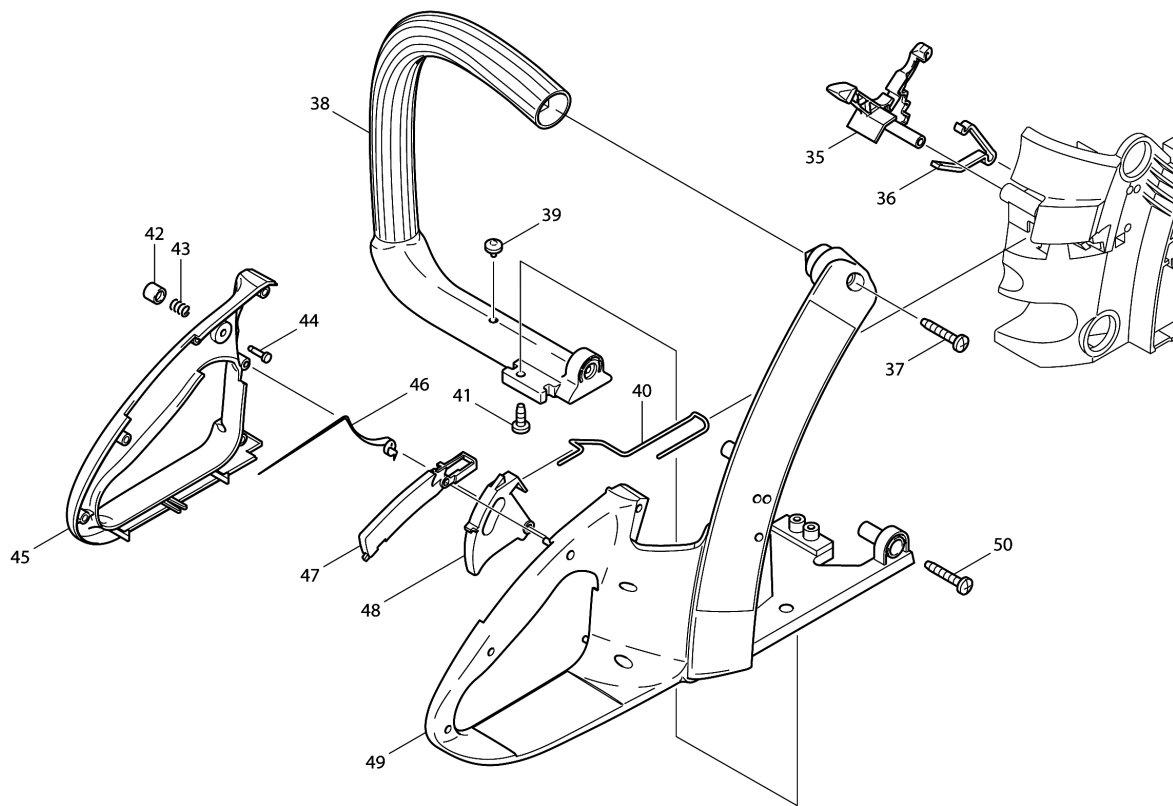


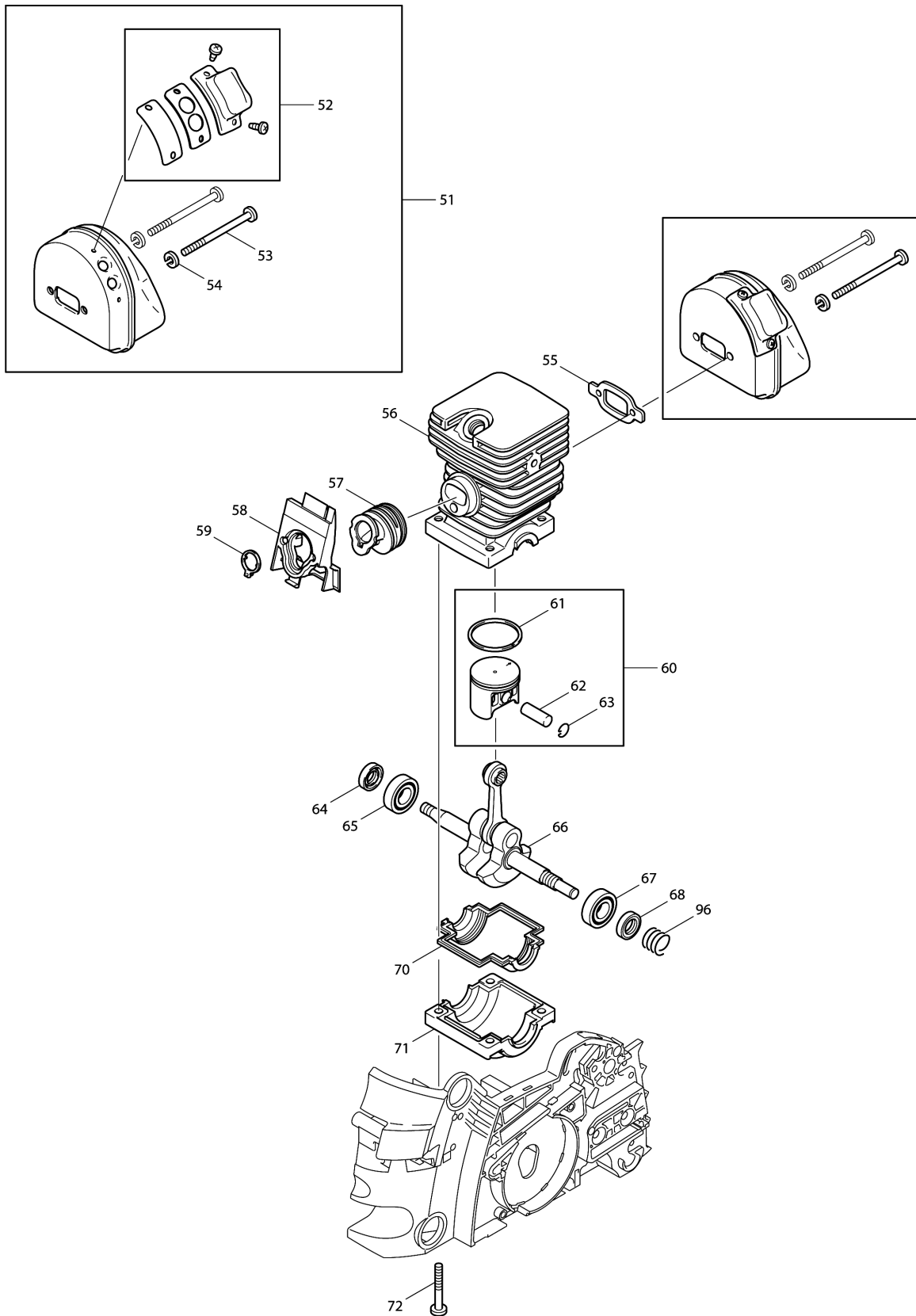
Model No.DCS34 ENGINE CHAIN SAW



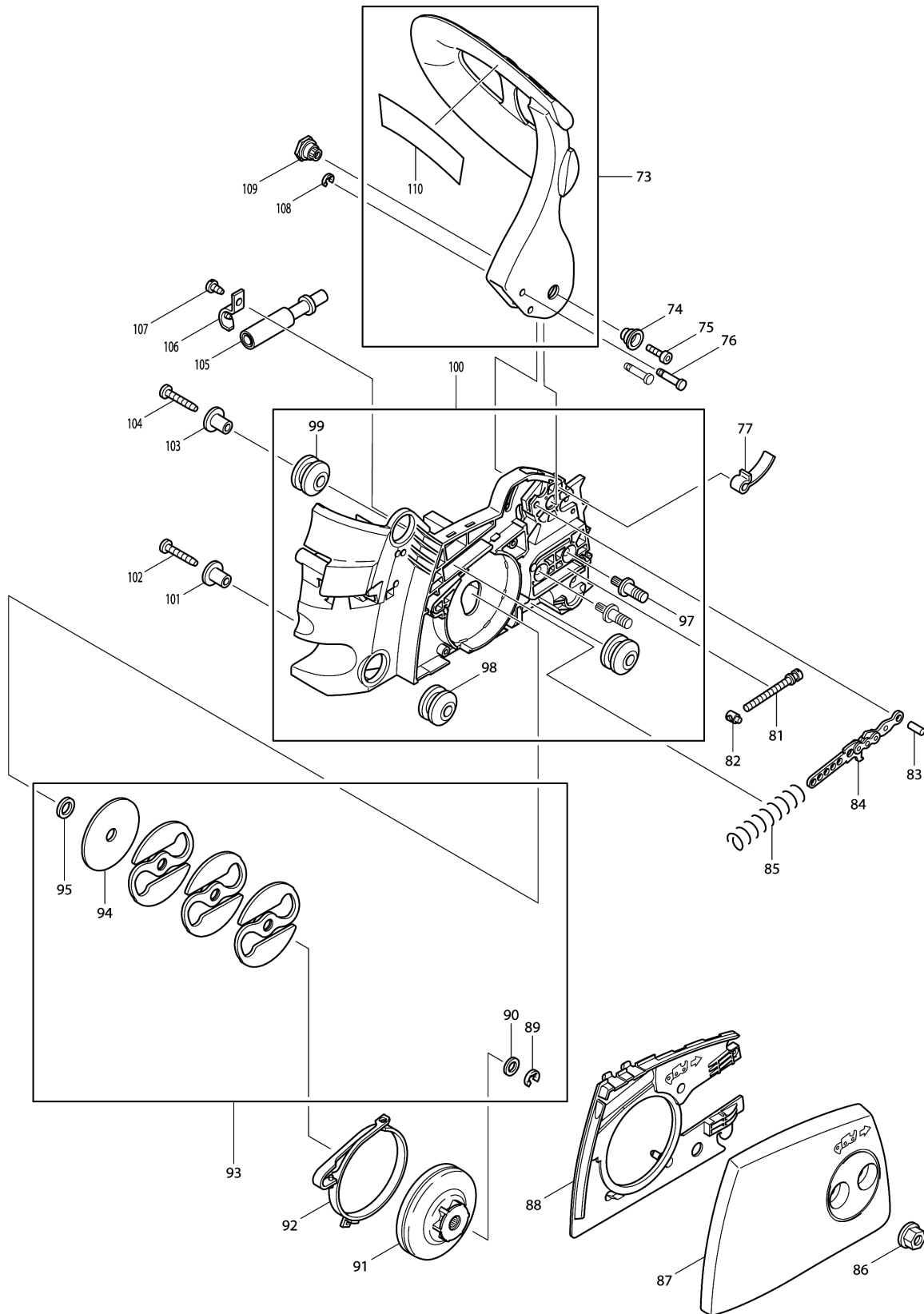
Model No.DCS34 ENGINE CHAIN SAW



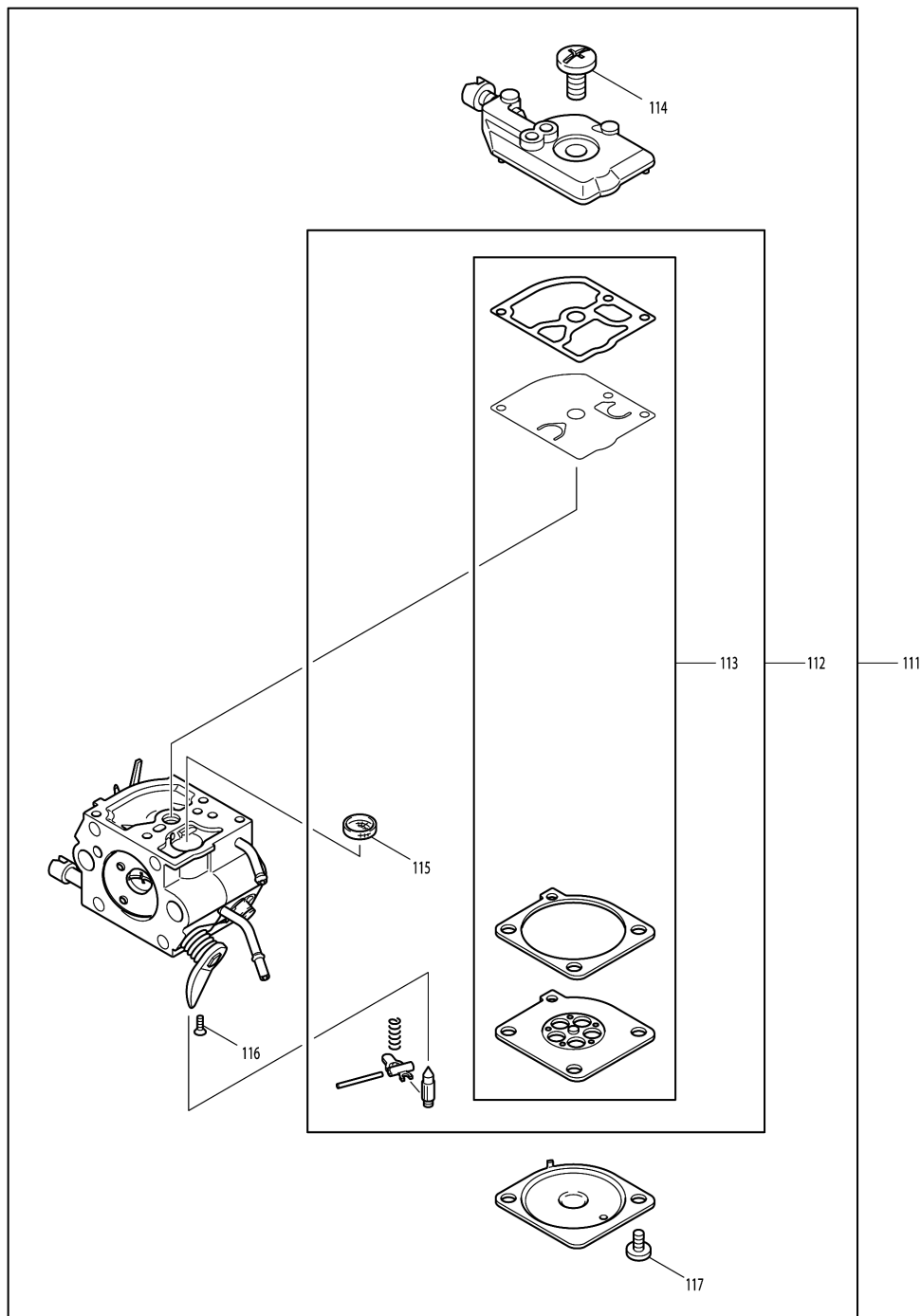
Model No.DCS34 ENGINE CHAIN SAW



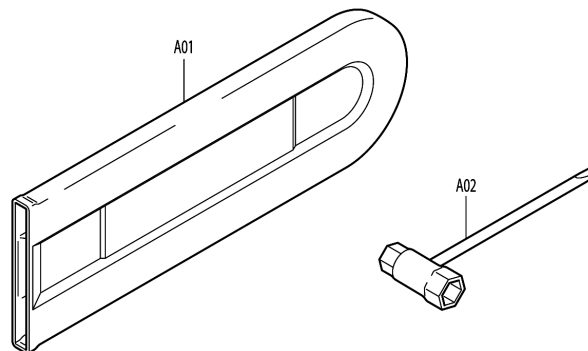
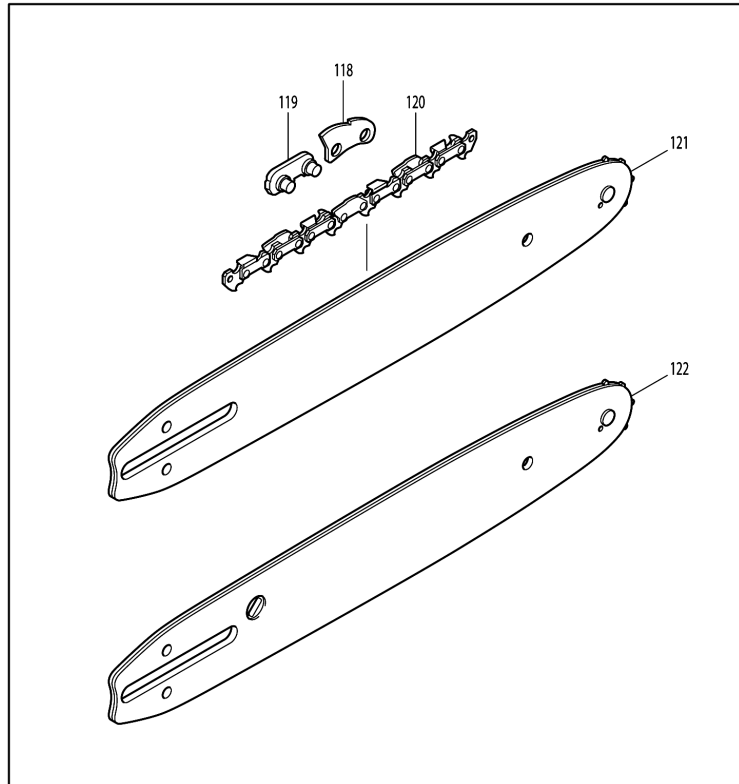
Model No.DCS34 ENGINE CHAIN SAW



Model No.DCS34 ENGINE CHAIN SAW



Model No.DCS34 ENGINE CHAIN SAW



Model No.DCS34 ENGINE CHAIN SAW

Item	Parts No.	Description	I/C	Qty	New/Old	Opt. 1	Opt. 2	Note
001	913650304	H.L. TAPPING SCREW 5X30		3				
002	036118010	HOOD		1				
003	036173011	AIR FILTER		1				
004	923750340	U-SPEED NUT 5		2				
005	913650304	H.L. TAPPING SCREW 5X30		2				
006	036171011	AIR FILTER HOUSING		1				
007	913650504	SCREW 5X50		2				
008	369155010	PRIMER PUMP		1				
009	965452060	TUBE		1				
010	965404980	FUEL SUCTION TUBE		1				
011	965603021	SPARK PLUG BPMR7A		1				
012	036140010	IGNITION ELECTRONIC CPL.		1				
013	913340204	H.L.SOCKET HEAD BOLT M4X20		2				
014	970311490	LEAD WIRE SET FOR STOP SWITCH		1				
015	920308024	HEX. NUT M8X1 (FINE THREAD)		1				
016	926208001	SPRING WASHER 8		1				
017	036141100	FLYWHEEL CPL.		1				
018	010114060	TANK PLUG CPL.		2				
019	923750340	U-SPEED NUT 5		1				
020	913650304	H.L. TAPPING SCREW 5X30		4				
021	963601380	SUCTION HEAD		1				
022	036112630	COVER		1				
023	965404031	STARTER GRIP		1				
024	965403490	RUBBER BUFFER		1				
025	036163010	REWIND SPRING		1				
026	985000155	STARTER ROPE 3.5MM L=100M		1				
027	036162010	CABLE DRUM		1				
028	924805310	WASHER 5		1				
029	913650154	H.L. TAPPING SCREW 5X15		1				
030	036112650	STARTER CPL.		1				
031	036114100	OIL TANK CPL.		1				
032	965402490	SUCTION LINE ASSY. FOR OIL		1				
033	965404220	VALVE		1				
034	036114150	FUEL TANK CPL.		1				
035	036155020	CHOKE LEVER		1				
036	036155031	CONTACT SPRING		1				
037	913650304	H.L. TAPPING SCREW 5X30		1				
038	036310010	TUBULAR HANDLE		1				
039	965402360	RUBBER BUFFER		1				
040	036117020	THROTTLE LINKAGE		1				

Please order the parts with part number.

Print Date 26/6/2019

Model No.DCS34 ENGINE CHAIN SAW

Item	Parts No.	Description	I/C	Qty	New/Old	Opt. 1	Opt. 2	Note
041	913650154	H.L. TAPPING SCREW 5X15		1				
042	965451750	HALF THROTTLE STOP BUTTON CAP		1				
043	965551160	COMPRESSION SPRING		1				
044	965551150	HALF THROTTLE STOP PIN		1				
045	036117660	HANDLE HALF		1				
046	036117050	SPRING		1				
047	036117040	CATCH LEVER		1				
048	036117030	THROTTLE LEVER		1				
049	036117610	HANDLE HALF		1				
050	913650304	H.L. TAPPING SCREW 5X30		1				
051	036174010	SPARK ARREST. MUFFLER ASSY.		1				
053	913350654	H.L. SOCKET HEAD BOLT M5X65		2				
054	928405000	SPRING WASHER 5		2	*			
054-1	928405000	SPRING WASHER 5	O	2				
055	965522032	GASKET		1	*			
055-1	965522033	GASKET	O	1	*			
055-2	165174060	GASKET	O	1				
056	036131011	CYLINDER		1				
057	036131020	SUCTION HOSE		1				
058	036171020	CLAMP		1				
059	036131030	BUSH FOR INTAKE HOSE		1				
060	021132110	PISTON ASSY.		1	*			
060-1	021132111	PISTON ASSY.	O	1				
061	021132030	PISTON RING 37MM		1				
062	021132020	PISTON PIN		1				
063	108132050	CIRCLIP		1				
064	962900057	OIL SEAL 12		1				
065	960102129	BALLBEARING 6201		1				
066	036120010	CRANKSHAFT ASSY.		1				
067	960102129	BALLBEARING 6201		1				
068	962900057	OIL SEAL 12		1				
070	965531010	GASKET		1				
071	036111010	CRANK CASE LOWER PART		1				
072	913350404	H.L. SOCKET HEAD BOLT M5X40		4				
073	036213120	HAND GUARD CPL.		1				
074	036213070	BUSH		1				
075	908005165	FILLISTER HEAD SCREW M5X16		1				
076	934150200	PIN 5X22		2				
077	036213030	SPRING		1				
081	036213090	TESIONING SCREW		1				

Please order the parts with part number.

Print Date 26/6/2019

Model No.DCS34 ENGINE CHAIN SAW

Item	Parts No.	Description	I/C	Qty	New/Old	Opt. 1	Opt. 2	Note
082	001213042	TENSION SLIDE		1				
083	962650128	PIN 5X12.8		1				
084	036213020	BRAKE SPRING HOLDER CPL.		1				
085	028213200	SPRING		1				
086	923208004	HEX. FLANGE NUT M8(BAR NUT)		2				
087	036213650	SPROCKET GUARD CPL.		1				
088	036213040	COVER PLATE		1				
089	927306000	STOP RING E-6		1				
090	900006065	WASHER		1				
091	036223110	CLUTCH DRUM CPL.		1				
092	028213501	BRAKE SPRING		1				
093	036181110	CLUTCH(SET)		1				
094	027182030	GUIDE DISC		1				
095	036224010	WASHER		1				
096	036245020	OIL PUMP WORM GEAR		1				
097	036110020	BOLT		1				
098	965403490	RUBBER BUFFER		2				
099	965403490	RUBBER BUFFER		1				
100	036110600	MOTOR HOUSING CPL.		1				
101	036114020	FIXING BUSH		1				
102	913650304	H.L. TAPPING SCREW 5X30		1				
103	036114020	FIXING BUSH		1				
104	913650304	H.L. TAPPING SCREW 5X30		1				
105	021245003	OIL PUMP CPL.		1				
106	203245001	HOLDER FOR OIL PUMP		1	*			
106-1	203245002	HOLDER FOR OIL PUMP	O	1				
107	913335060	SCREW 3.5X6.5		1				
108	927304000	STOP RING E-4		1				
109	036213081	BUSH		1				
110	980114674	LABEL		2				
111	036153010	CARBURETOR CPL.		1				
112	036153100	CARBURETOR REPAIR KIT		1				
113	036153110	GASKET & DIAPHRAGM KIT		1				
114	036153080	SCREW		1				
115	036153040	SCREEN		1				
116	036153120	SCREW		1				
117	001153020	SCREW		2				
120	528092652	SAW CHAIN 14"		1				
120A_	528092656	SAW CHAIN 16"		1				
121	442035661	GUIDE BAR STD 14"3/8".050" M		1				
121A_	442040661	GUIDE BAR STD 16"3/8".050" M		1				

Please order the parts with part number.

Print Date 26/6/2019

Model No.DCS34 ENGINE CHAIN SAW

Item	Parts No.	Description	I/C	Qty	New/Old	Opt. 1	Opt. 2	Note
122	442035061	SPROCKET NOSE BAR 14"		1				
122A_	442040061	SPROCKET NOSE BAR 16"		1				
A01	952100633	CHAIN PROT.COVER 12"-16"		1				
A02	941719131	UNIVERSAL WRENCH		1	*			
A02-1	941719133	UNIVERSAL WRENCH 13/19	O	1				

Please order the parts with part number.

Print Date 26/6/2019