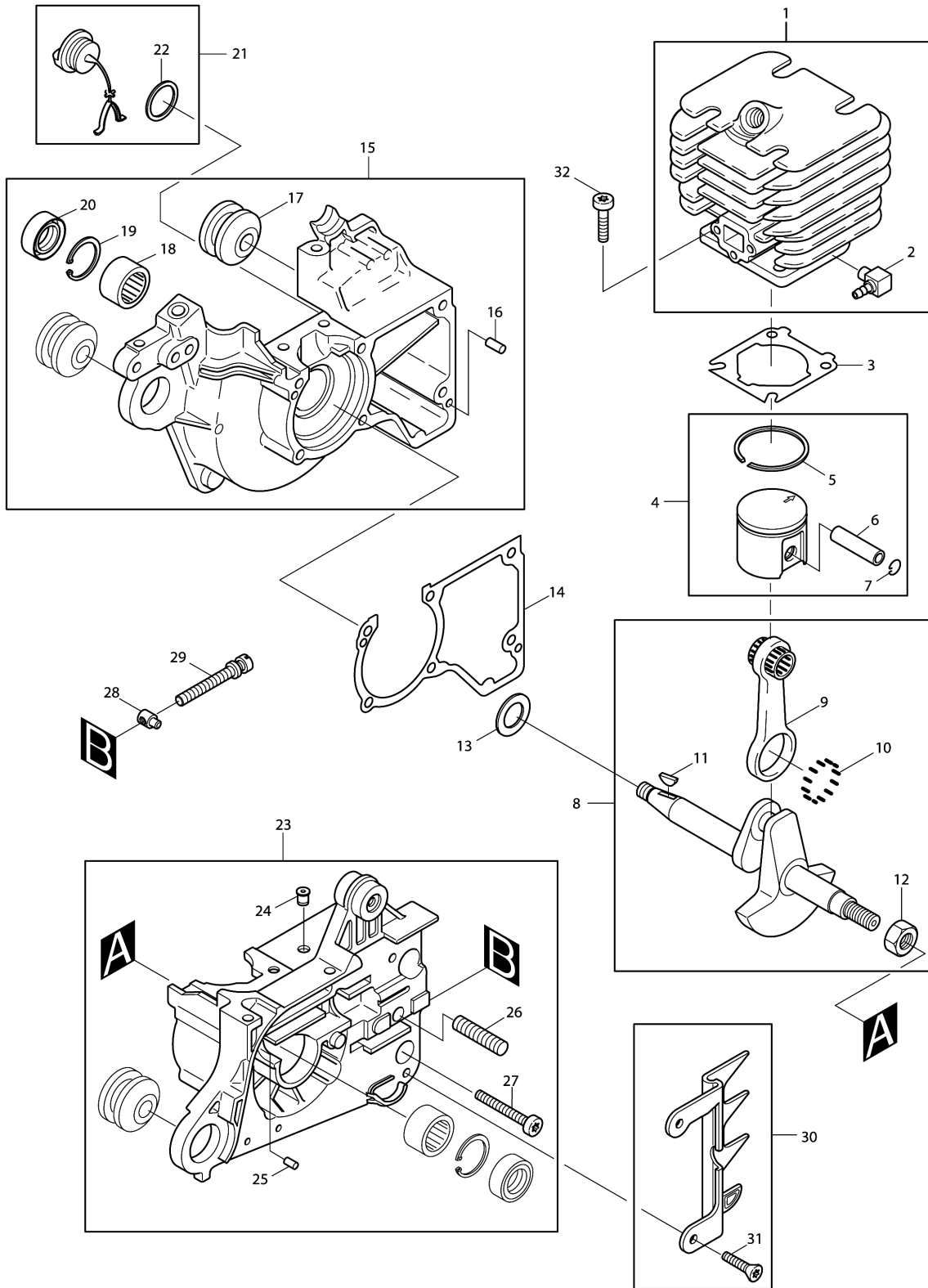
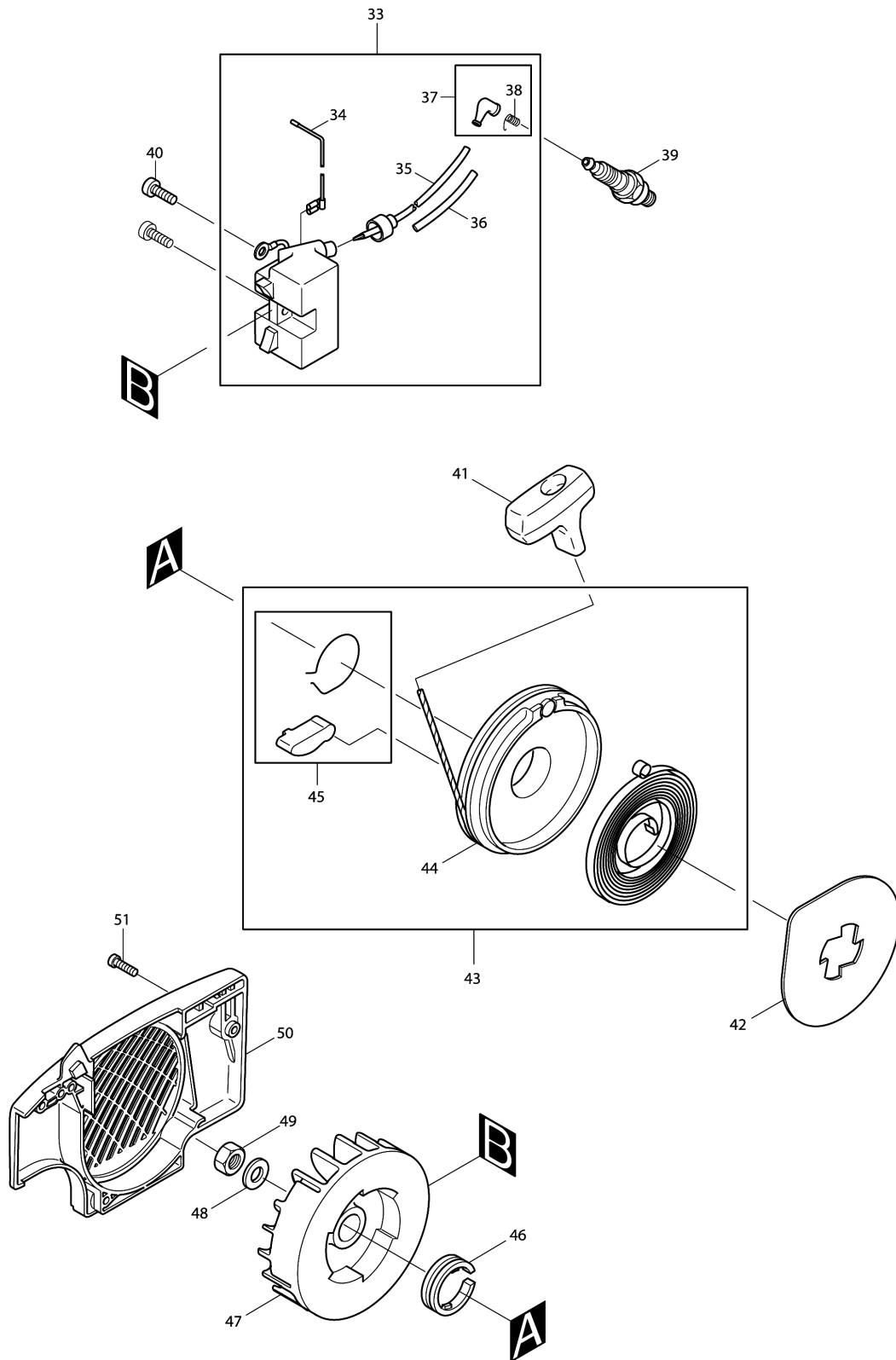


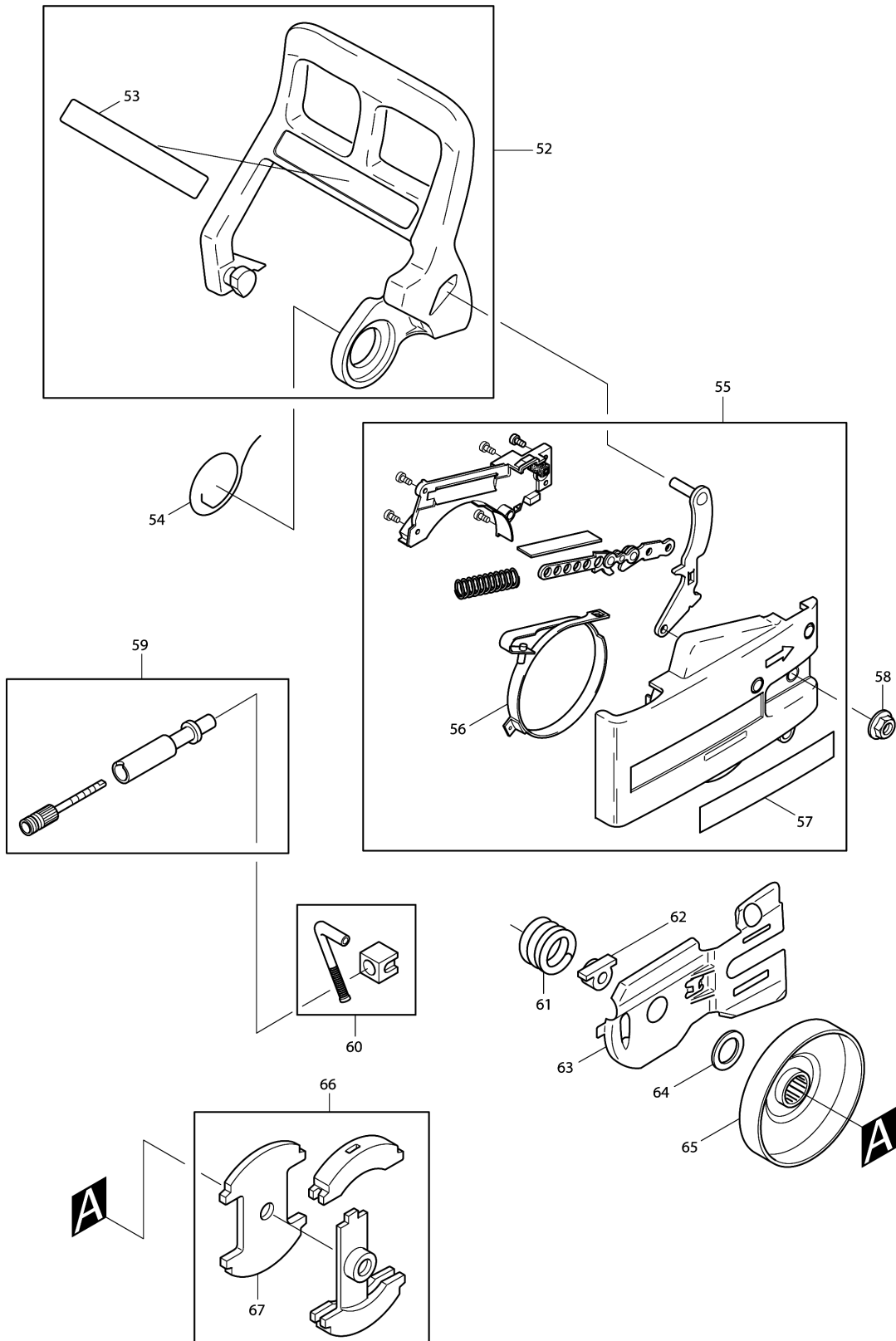
Model No.DCS340 ENGINE CHAIN SAW



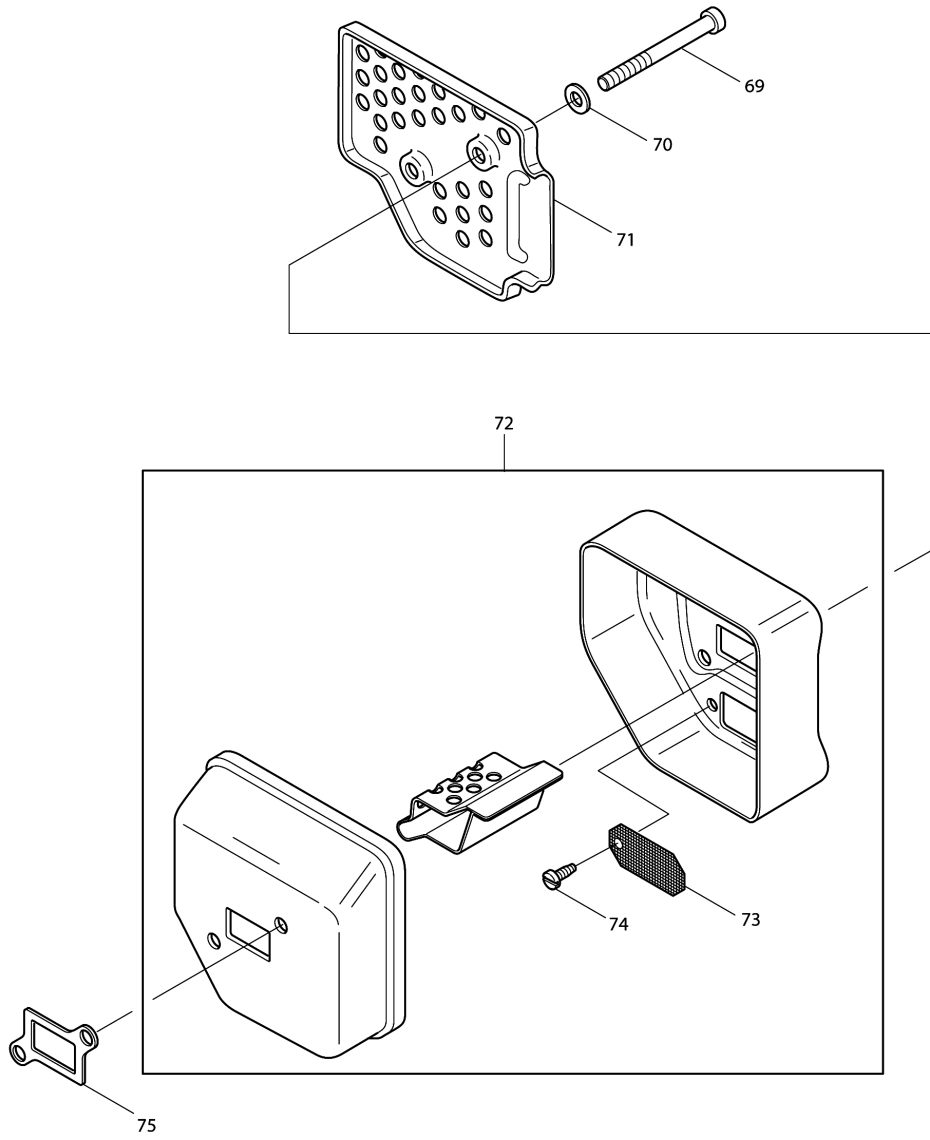
Model No.DCS340 ENGINE CHAIN SAW



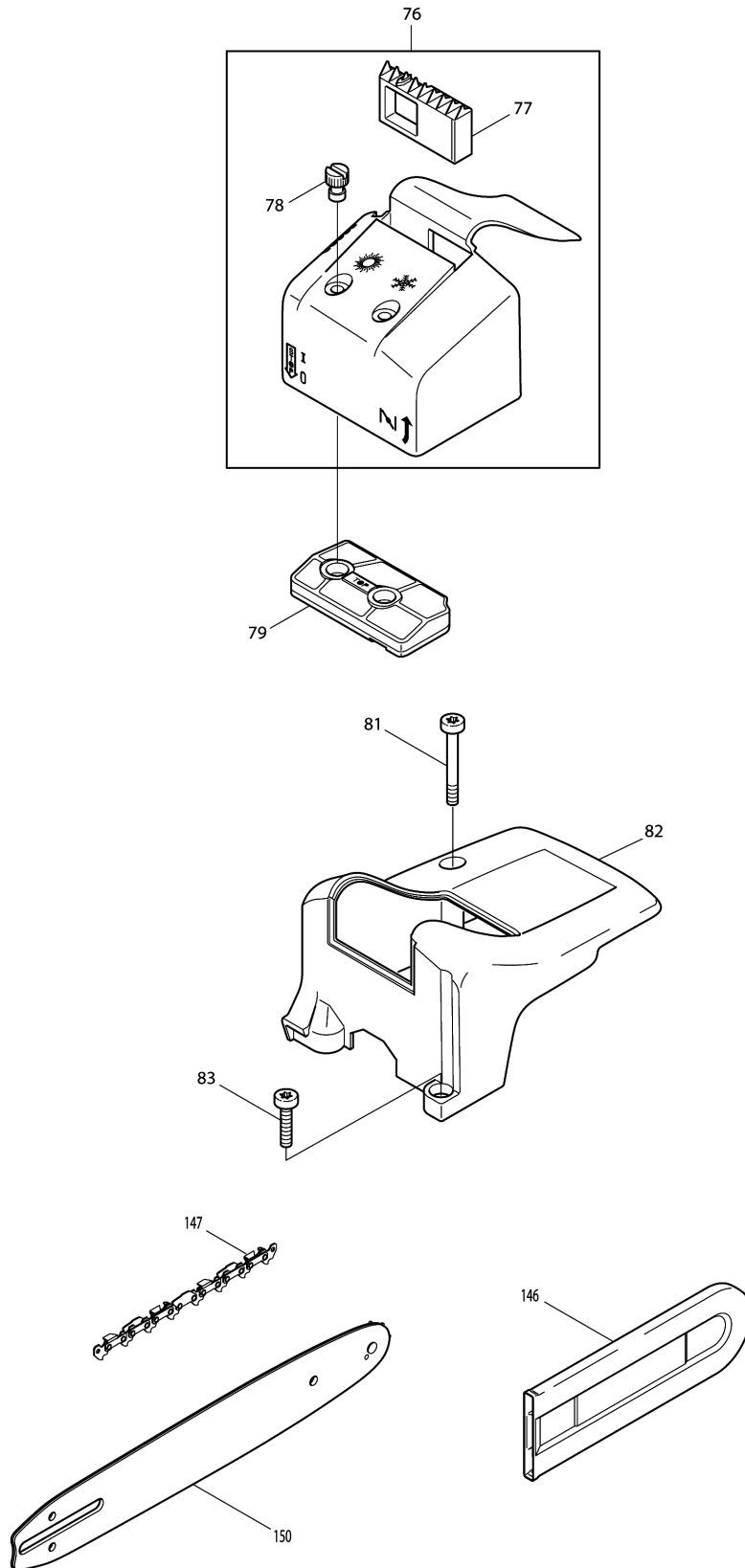
Model No.DCS340 ENGINE CHAIN SAW



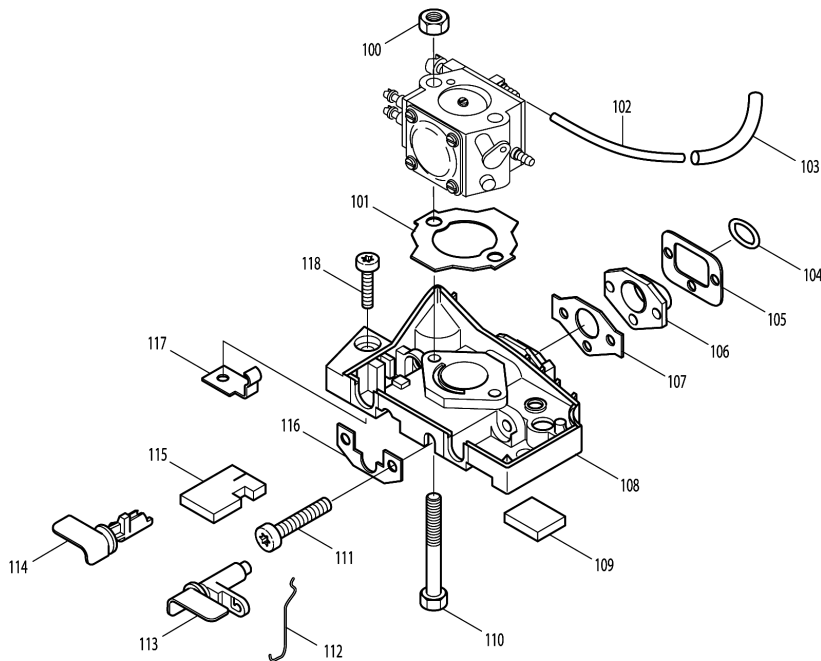
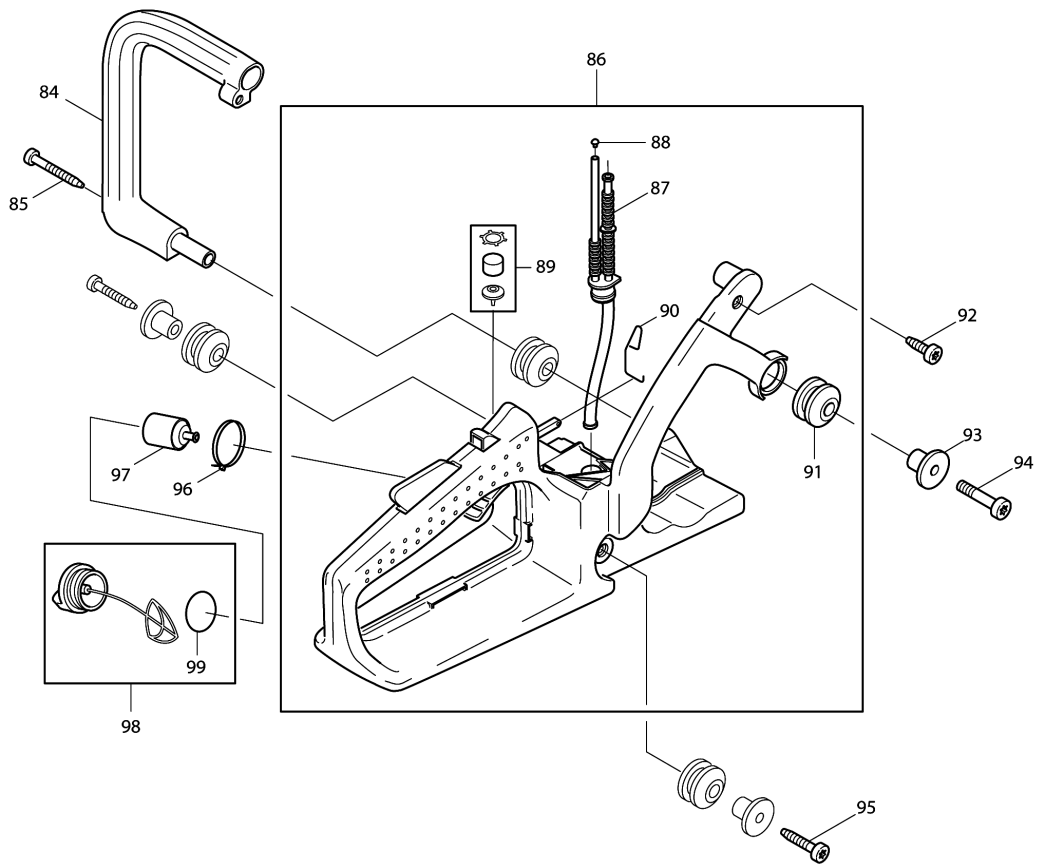
Model No.DCS340 ENGINE CHAIN SAW



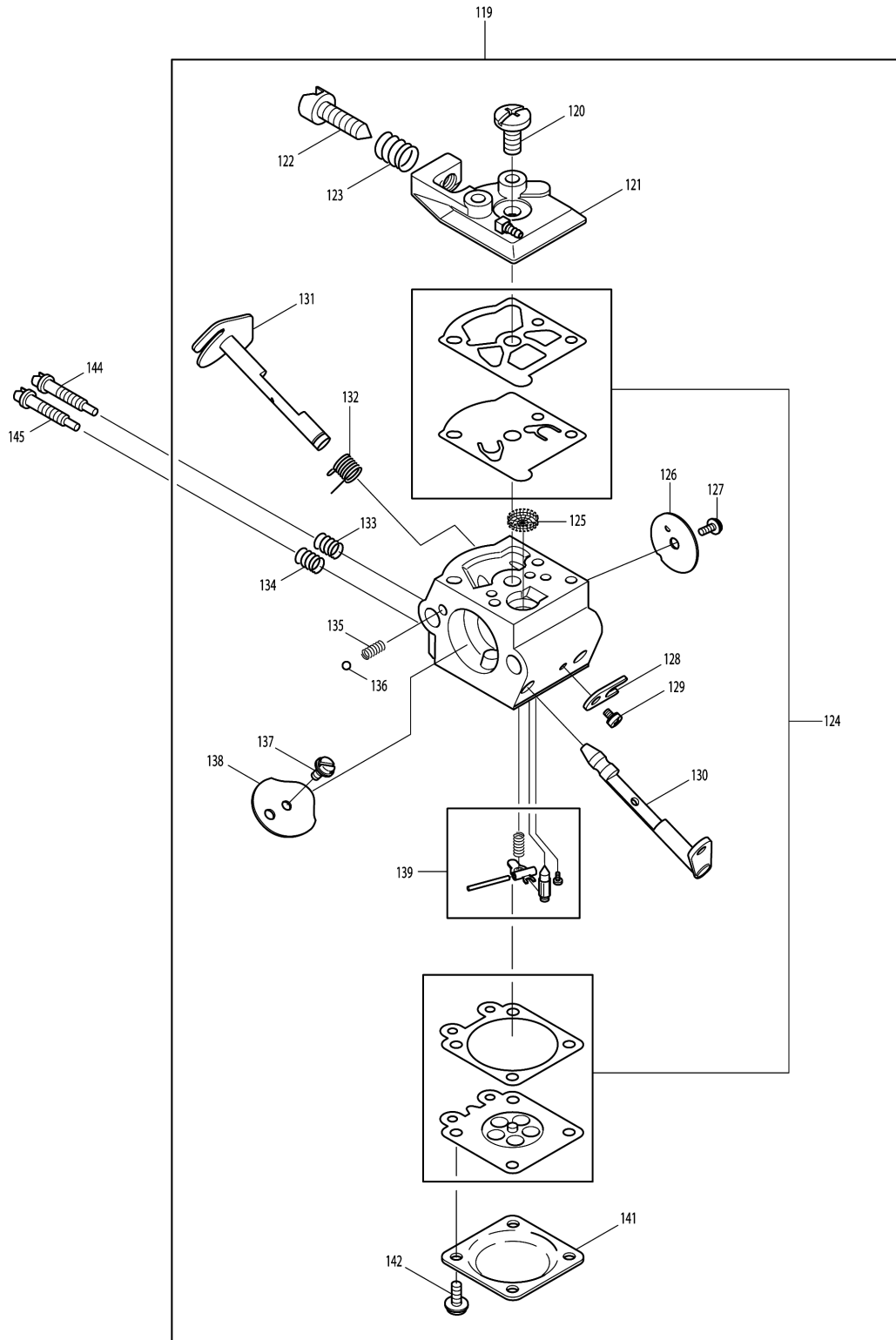
Model No.DCS340 ENGINE CHAIN SAW



Model No.DCS340 ENGINE CHAIN SAW



Model No.DCS340 ENGINE CHAIN SAW



Model No.DCS340 ENGINE CHAIN SAW

Item	Parts No.	Description	I/C	Qty	New/Old	Opt. 1	Opt. 2	Note
001	021131110	CYLINDER(37MM)		1				
002	001151670	ANGULAR NIPPLE		1				
003	965524042	GASKET		1	*			
003-1	965524043	GASKET	O	1				
004	021132110	PISTON ASSY.		1	*			
D10		INC. 5-7			*			
004-1	021132111	PISTON ASSY.	O	1				
D10		INC. 5-7						
005	021132230	PISTON RING 40MM		1				
006	021132020	PISTON PIN		1				
007	108132050	CIRCLIP		2	*			
007-1	232302-8	CIRCRIP 9	O	2				
008	957120028	CRANKSHAFT CPL.		1				
D10		INC. 9-12						
009	021123010	CON-ROD CPL.		1				
010	962640061	ROLLER		12				
011	939615260	KEY		1				
012	920108044	HEXAGONAL NUT, LEFT THR.		1				
013	108121010	STOP DISC		2				
014	965524011	GASKET		1				
015	028111640	CRANKCASE, M. SIDE CPL.		1				
D10		INC. 16-20						
016	936430160	PIN 3X16		2	*			
016-1	258038-1	CLAMPING PIN	O	2				
017	965403490	RUBBER BUFFER		3				
018	962300011	NEEDLE CAGE		1				
019	929319101	SNAP RING		1				
020	962900049	RADIAL RING		1				
021	965450040	OIL TANK PLUG ASSY.		1	*			
021-1	965450042	OIL TANK PLUG ASSY.	O	1				
022	963100041	GASKET		1	*			
022-1	963100043	GASKET	O	1				
023	028111630	CRANKCASE, CL.SIDE CPL.		1				
D10		INC. 24-26						
024	010245010	VENT VALVE		1				
025	021245070	GUIDE PIN		1				
026	905808254	BOLT M8X25		1				
027	908005305	H.L. SOCKET HEAD BOLT M5X30		6	*			
027-1	266945-4	H.L. SOCKET HEAD BOLT M5X30	O	6				
028	001213042	TENSION SLIDE		1				
029	389213080	TENSIONING SCREW		1	*			
029-1	389213081	TENSIONING SCREW	O	1				
030	957250015	SPIKE BAR ASSY.		1				
031	908105124	H.L.S. FLAT HEAD BOLT M5X12		2				

Please order the parts with part number.

Print Date 19/10/2023

Model No.DCS340 ENGINE CHAIN SAW

Item	Parts No.	Description	I/C	Qty	New/Old	Opt. 1	Opt. 2	Note
032	908405255	H.L. SOCKET HEAD BOLT M5X25		4	*			
032-1	266880-6	H.L. SOCKET HEAD BOLT M5X25	O	4				
033	028142021	IGNITION ELECTRONIC ASSY.		1				
034	028147000	SHORT-CIRCUIT CABLE		1				
D10		INC. 34-37						
035	970310200	IGNITION CABLE L=1M		1				
036	970502110	INSULATING TUBE 6 L=1M		1	*			
036-1	970502120	INSULATING TUBE	O	1				
037	957604260	PLUG CAP COMPLETE		1				
D10		INC. 38						
038	965604180	PLUG CAP SPRING		1	*			
038-1	234358-7	TERMINAL SPRING	O	1				
039	965603018	SPARK PLUG BPM-R-6F		1				
040	908605145	H.L. SOCKET HEAD BOLT M5X14		2	*			
040-1	266947-0	H.L. SOCKET HEAD BOLT M5X14	O	2				
041	965404031	STARTER GRIP		1				
042	900004375	DISC		1				
043	021160000	STARTER ASSY.		1	*			
D10		INC. 44-45			*			
043-1	021160001	STARTER ASSY.	<	1				
D10		INC. 44-45						
044	985000150	STARTER ROPE 3.0MM L=100M		1				
045	028166030	STARTER RATCHET/SPRING		1				
046	021166040	SNAP RING		1				
047	021141011	FLYWHEEL		1				
048	928308001	SPRING WASHER 8X17		1				
049	920308024	HEX. NUT M8X1 (FINE THREAD)		1	*			
049-1	264022-6	HEX. NUT M8X1	O	1				
050	028112630	FAN HOUSING		1				
051	908005165	FILLISTER HEAD SCREW M5X16		3	*			
051-1	266605-8	H.L. SOCKET HEAD BOLT M5X16	O	3				
052	028213615	HAND GUARD CPL.		1				
D10		INC. 53						
053	980114237	LABEL		1				
054	028213560	SPRING		1				
055	028213670	CHAIN BRAKE CPL.		1				
D10		INC. 56-58						
056	028213501	BRAKE SPRING		1				
057	980114251	LABEL		1				
058	923208004	HEX. FLANGE NUT M8(BAR NUT)		1	*			
058-1	252145-2	COLLARED HEX NUT M8	O	1				
059	021245003	OIL PUMP CPL.		1				

Please order the parts with part number.

Print Date 19/10/2023

Model No.DCS340 ENGINE CHAIN SAW

Item	Parts No.	Description	I/C	Qty	New/Old	Opt. 1	Opt. 2	Note
060	965451962	SUCTION LINE ASSY. FOR OIL		1				
061	021245040	WORM		1	*			
061-1	231974-6	WORM GEAR	O	1				
062	021245080	SEALING CAP		1				
063	021111037	GUIDE PLATE		1				
064	021224010	SHIM		1	*			
064-1	021224011	WASHER 10	O	1				
065	028223311	CLUTCH DLUM		1	*			
065-1	028223060	CLUTCH DLUM	O	1				
066	021180011	CLUTCH ASSY.		1				
D10		INC. 67						
067	028184020	FLAT SPRING		2				
069	908205605	FILLISTER HEAD SCREW M5X60		2				
070	928405000	SPRING WASHER 5		2	*			
070-1	928405000	SPRING WASHER 5	O	2	*			
070-2	267821-5	SPRING WASHER 5	O	2				
072	021174301	MUFFLER		1				
074-1	266150-3	TAPPING SCREW BT 3.5X9.5	O	1				
075	965524062	GASKET		1				
076	028118320	COVER ASSY.		1				
D10		INC. 77,78						
077	028118180	INSERT		1				
078	001118062	SLOTTED CAP NUT M5		2				
079	028173041	AIR FILTER		1				
081	908205605	FILLISTER HEAD SCREW M5X60		1				
082	028118310	HOOD		1				
083	908005165	FILLISTER HEAD SCREW M5X16		1	*			
083-1	266605-8	H.L. SOCKET HEAD BOLT M5X16	O	1				
084	028310050	TUBULAR HANDLE		1				
085	913455454	H.L.TAPPING SCREW 5,5X45		1				
086	028114691	TANK ASSY.		1	*			
D10		INC. 87-91			*			
086-1	028114692	TANK COMPLETE	O	1				
D10		INC. 87-91						
087	965404661	FUEL LINE		1	*			
087-1	965404590	FUEL LINE	O	1				
088	937130120	RIVET		1				
089	957114010	VENT VALVE ASSY.		1	*			
089-1	957114011	VENT VALVE ASSY	O	1				
090	028117244	THROTTLE LINKAGE		1	*			
090-1	028117245	THROTTLE LINKAGE	O	1				
091	965403490	RUBBER BUFFER		1	*			
091-1	965403491	RUBBER BUFFER	O	1				
092	913455204	H.L.TAPPING SCREW 5.5X20		1	*			

Please order the parts with part number.

Print Date 19/10/2023

Model No.DCS340 ENGINE CHAIN SAW

Item	Parts No.	Description	I/C	Qty	New/Old	Opt. 1	Opt. 2	Note
092-1	913455204	H.L.TAPPING SCREW 5.5X20	O	1	*			
092-2	266475-5	H.L.TAPPING SCREW 5.5X20	O	1				
093	021114051	FIXING BUSH		3	*			
093-1	021114052	FIXING BUSH	O	3				
094	908005305	H.L. SOCKET HEAD BOLT M5X30		1	*			
094-1	266945-4	H.L. SOCKET HEAD BOLT M5X30	O	1				
095	913455304	H.L.TAPPING SCREW 5.5X30		2				
096	980003583	CABLE STRAP		1				
097	963601130	SUCTION HEAD(FUEL)		1	*			
097-1	963601122	SUCTION HEAD(FUEL)	O	1	*			
097-2	010114010	SUCTION HEAD(FUEL)	O	1	*			
097-3	163499-1	SUCTION HEAD	O	1				
098	010114050	TANK CAP ASSY		1				
D10		INC. 99						
099	963228030	O-RING 28		1				
100	920205000	HEX. NUT M5		2				
101	965524120	GASKET		1				
102	965452060	TUBE		1				
103	970502110	INSULATING TUBE 6 L=1M		1	*			
103-1	970502120	INSULATING TUBE	O	1				
104	965524092	GASKET		1				
105	965524131	GASKET		1				
106	028131061	INTERMEDIATE FLANGE		1				
107	965524082	GASKET		1				
108	028118271	BOTTOM		1				
109	965404430	GASKET		1				
110	900205554	SCREW M5X55		2				
111	908005305	H.L. SOCKET HEAD BOLT M5X30		2	*			
111-1	266945-4	H.L. SOCKET HEAD BOLT M5X30	O	2				
112	028150750	CHOKE LINKAGE		1				
113	028150740	CHOKE LEVER		1				
114	028118121	STOP SWITCH		1				
115	965404421	GASKET		1				
116	028118160	PLATE		1				
117	028118112	CONTACT PLATE		1	*			
117-1	028118113	CONTACT PLATE	O	1				
118	908005165	FILLISTER HEAD SCREW M5X16		1	*			
118-1	266605-8	H.L. SOCKET HEAD BOLT M5X16	O	1				
119	028151700	CARBURETOR CPL.		1				
D10		INC. 120-142,144,145						
120	118151190	SCREW		1				
121	001151140	PUMP COVER		1				
122	021151240	ADJUSTING SCREW		1				

Please order the parts with part number.

Print Date 19/10/2023

Model No.DCS340 ENGINE CHAIN SAW

Item	Parts No.	Description	I/C	Qty	New/Old	Opt. 1	Opt. 2	Note
123	021151230	PRESSURE SPRING		1				
124	021151540	SET GASKET/DIAPHRAGM		1				
125	021151180	SCREEN		1				
126	108151320	THROTTLE SHUTTER		1				
127	118151060	SCREW		1				
128	108151350	SHAFT CLIP		1				
129	118151020	SCREW		1				
130	001151255	CHOKE SHAFT		1				
131	001151320	THROTTLE SHAFT		1				
132	001151310	SPRING		1				
133	021151480	SPRING		1				
134	021151530	SPRING(H)		1				
135	118151160	LOCKING SPRING		1				
136	118151170	LOCKING BALL		1				
137	118151060	SCREW		1				
138	001151350	CHOKE SHUTTER		1				
139	957150040	SET OF CONTROL PARTS		1				
141	021151120	DIAPHRAGM COVER		1				
142	118151020	SCREW		1				
144	021151470	IDLING ADJUSTM. SCREW		1				
145	001151515	MAIN ADJUSTMENT SCREW		1				
146	952100633	CHAIN PROT.COVER 12"-16"		1				
147	528092646	SAW CHAIN 12"		1				
147A_	528092652	SAW CHAIN 14"		1				
147B_	528092656	SAW CHAIN 16"		1				
150	442030661	GUIDE BAR STD 12"3/8".050" M		1	*			
150-1	165200-0	GUIDE BAR 12	O	1				
150A_	442035661	GUIDE BAR STD 14"3/8".050" M		1				
150B_	442040661	GUIDE BAR STD 16"3/8".050" M		1				
F01	442030061	SPROCKET NOSE BAR 12"		1	*			
F01-1	162A41-1	GUIDE BAR 12	O	1				
F02	442035061	SPROCKET NOSE BAR 14"		1	*			
F02-1	162A45-3	GUIDE BAR 14	O	1				
F03	442040061	SPROCKET NOSE BAR 16"		1	*			
F03-1	162A49-5	GUIDE BAR 16	O	1				

Please order the parts with part number.

Print Date 19/10/2023