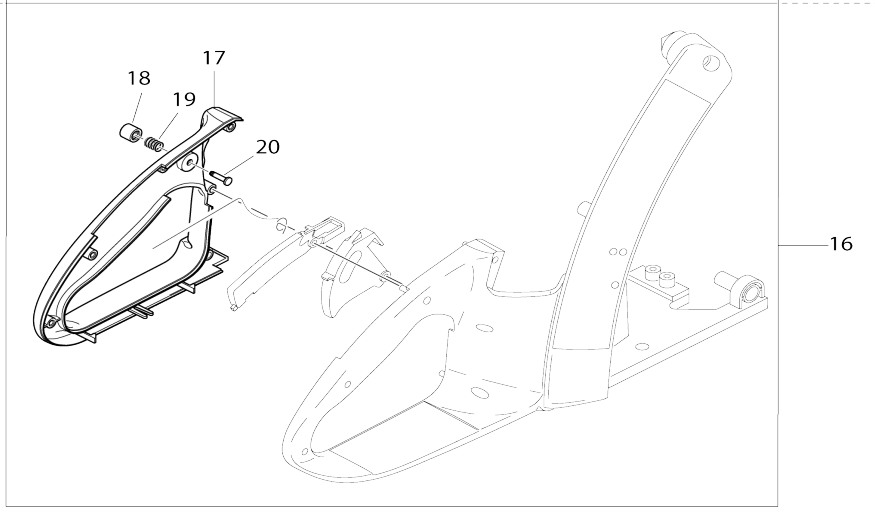
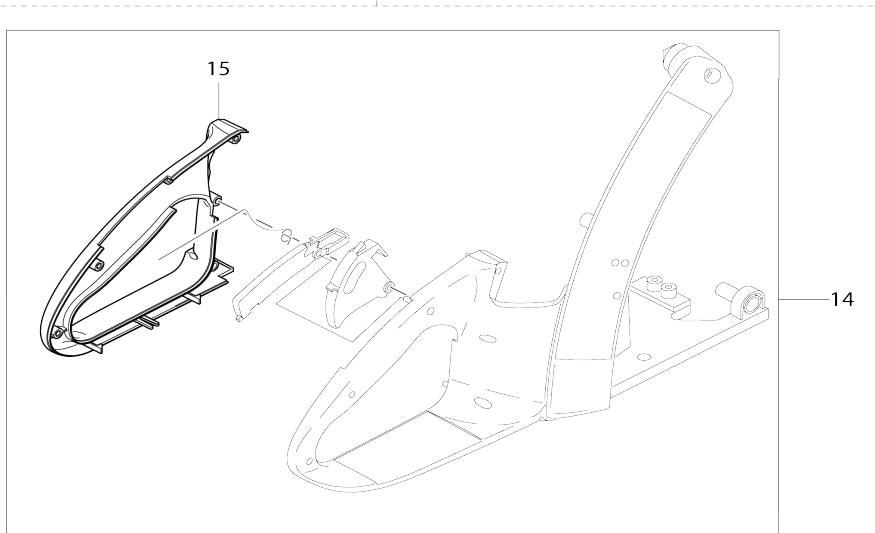
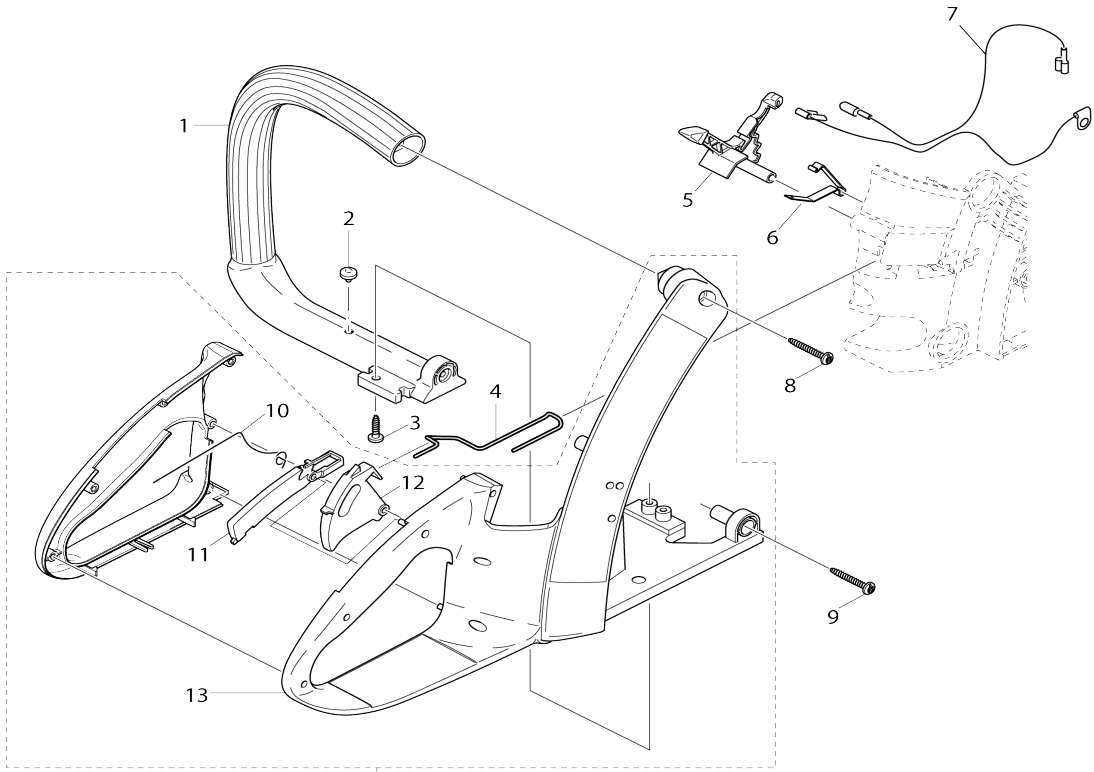
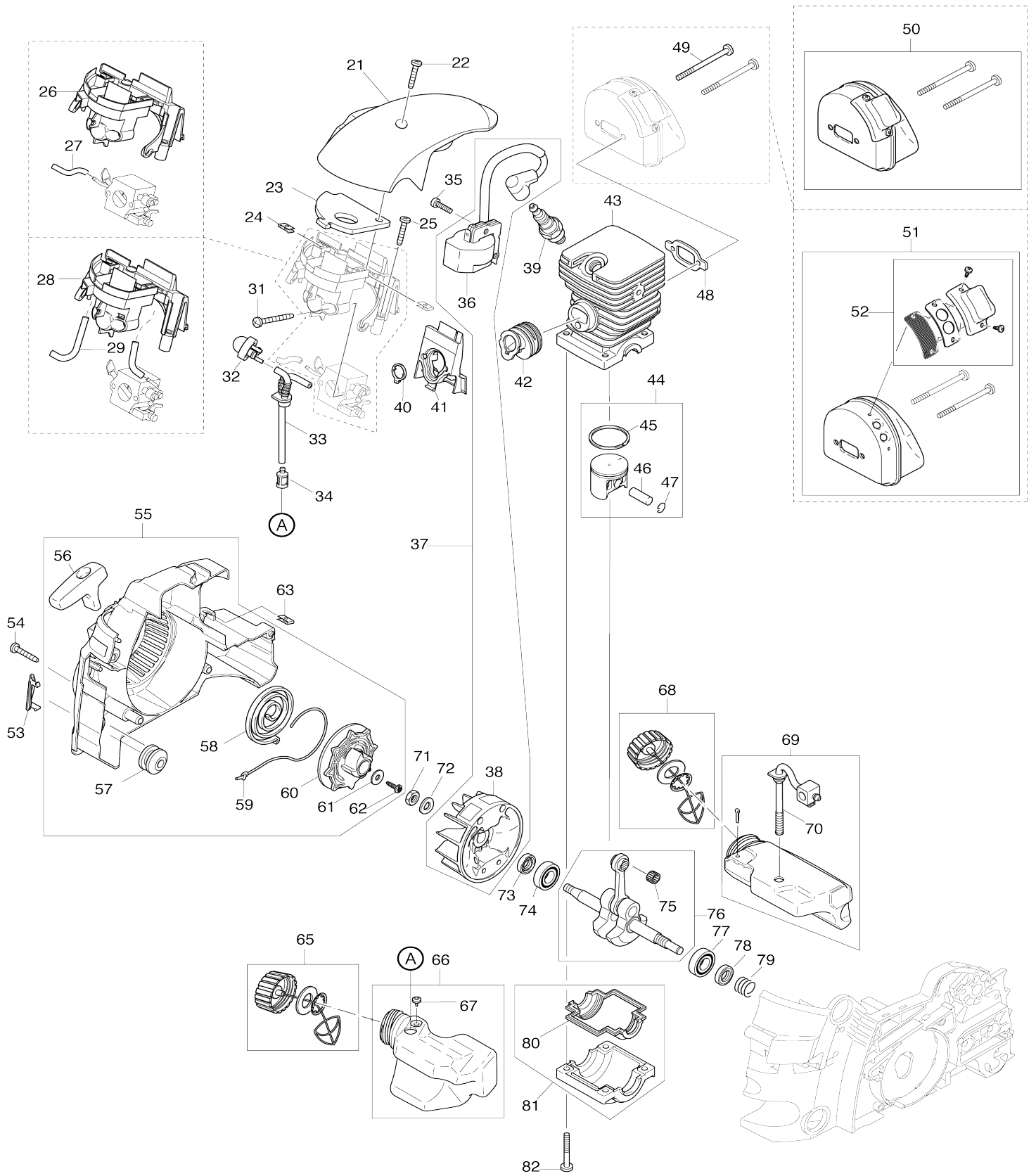


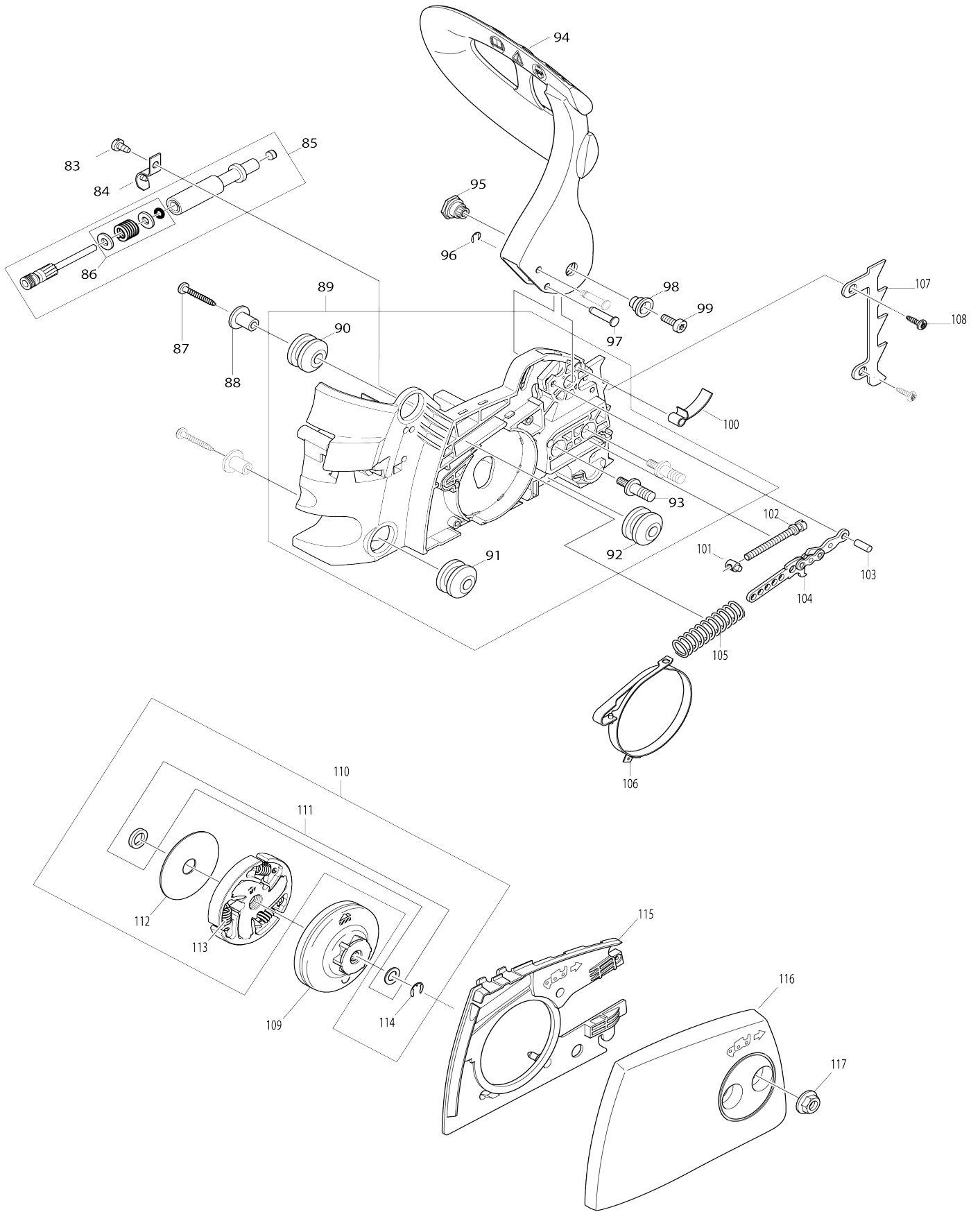
Model No.DCS4610 ENGINE CHAIN SAW



Model No.DCS4610 ENGINE CHAIN SAW

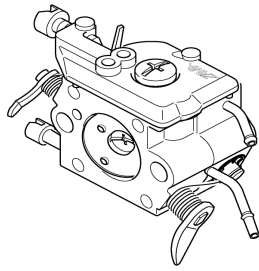


Model No.DCS4610 ENGINE CHAIN SAW

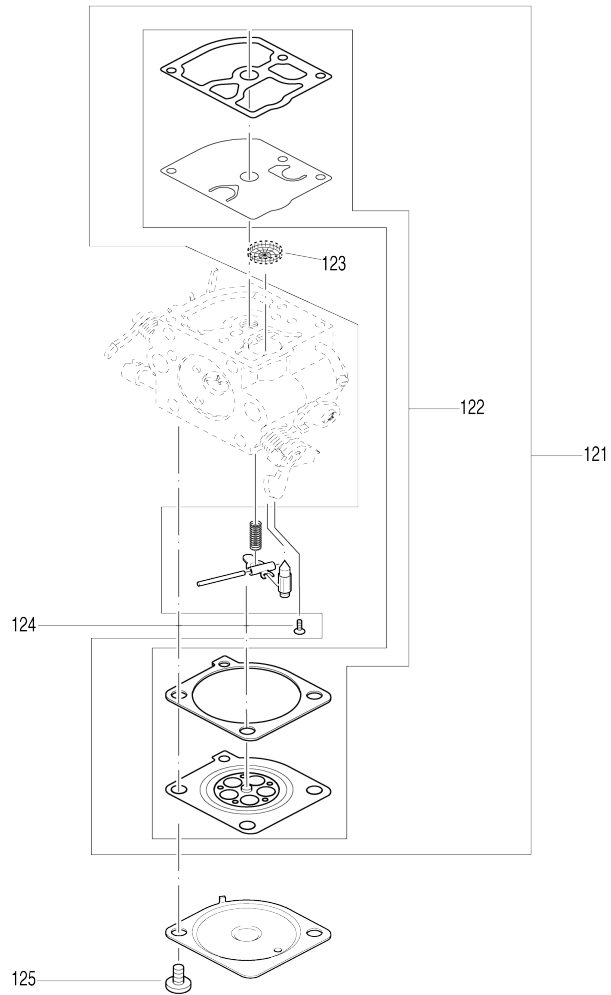
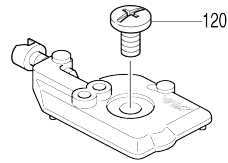
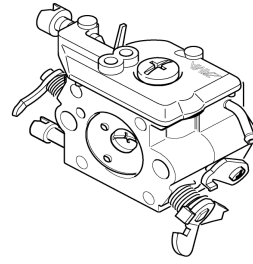


Model No.DCS4610 ENGINE CHAIN SAW

118



119



Model No.DCS4610 ENGINE CHAIN SAW

Item No.	Parts No.	Description	Interchangability	Q'ty	New/Old	Note1	Note2
001	036310012	FRONT HANDLE		1			
002	965402360	RUBBER BUFFER		1	*		
002-1	424878-1	BUFFER	O	1			
003	913650154	H.L. TAPPING SCREW 5X15		1			
004	036117022	THROTTLE LINKAGE		1			
005	036155121	CHOKE & ENGINE STOP LEVER		1			
006	036155130	CONTACT SPRING		1			
007	970311490	LEAD WIRE SET FOR STOP SWITCH		1			
008	913650304	H.L. TAPPING SCREW 5X30		1			
009	913650304	H.L. TAPPING SCREW 5X30		1			
010	036117051	THROTTLE LEVER RETUNE SPRING		1			
011	036117040	CATCH LEVER		1			
012	036117030	THROTTLE LEVER		1			
013	036117611	REAR HANDLE RIGHT SIDE BLUE		1			
014	036117602	REAR HANDLE SET BULE		1			
D10		INC. 10-13,15					
015	036117663	REAR HANDLE LEFT SIDE BLUE		1			
016	036110623	REAR HANDLE SET BULE		1	*		
D10		INC. 10-13,17-20					
017	036117661	REAR HANDLE LEFT SIDE BLUE		1	*		
018	965451750	HALF THROTTLE STOP BUTTON CAP		1	*		
019	965551160	COMPRESSION SPRING		1	*		
020	965551150	HALF THROTTLE STOP PIN		1	*		
021	036118012	AIR FILTER ELEMENT COVER RED		1			
021A_	036118021	AIR FILTER ELEMENT COVER GREY		1			
022	913650304	H.L. TAPPING SCREW 5X30		3			
023	036173011	AIR FILTER		1			
024	923750340	U-SPEED NUT 5		2			
025	913650304	H.L. TAPPING SCREW 5X30		2			
026	036171011	AIR FILTER HOUSING		1	*		
027	965452090	FUEL TUBE 2.5MM (L=1M)		1	*		
028	036171032	AIR FILTER HOUSING		1			
029	965452090	FUEL TUBE 2.5MM (L=1M)		1	*		
029-1	424755-7	TUBE 2.5-93	O	1			
031	913650504	SCREW 5X50		2			
032	369155010	PRIMER PUMP		1			
033	965404980	FUEL SUCTION TUBE		1			
034	163447-0	FUEL FILTER		1			
035	913340204	H.L.SOCKET HEAD BOLT M4X20		2			
036	036143121	IGNITION COIL SET		1			
037	036140020	IGNITION COIL & FLYWHEEL SET		1			
D10		INC. 36,38					
038	036141130	FLYWHEEL		1			
039	168648-5	SPARK PLUG (BPMR7A)		1			
040	036131030	BUSH FOR INTAKE HOSE		1			

041	036171020	CLAMP		1		
042	036131023	INTAKE HOSE		1		
043	037131011	CYLINDER COMPLETE		1		
044	037132110	PISTON		1		
D10		INC. 45-47				
045	037132020	PISTON RING		1	*	
045-1	257397-0	PISTON RING 43	O	1		
046	195132030	PISTON PIN		1		
047	108132050	CIRCLIP		2	*	
047-1	232302-8	CIRCRIP 9	O	2		
048	346304-9	GASKET		1		
049	913350654	H.L. SOCKET HEAD BOLT M5X65		2		
050	036174211	MUFFLER & BOLT SET		1		
D10		INC. 49				
053	036112632	BLIND COVER BLUE		1		
054	913650154	H.L. TAPPING SCREW 5X15		4		
055	036112652	STARTER ASSY BLUE		1		
D10		INC. 56-62				
056	965404031	STARTER GRIP		1		
057	965403491	RUBBER BUFFER		1		
058	036163010	REWIND SPRING		1		
059	036164010	STARTER ROPE 3.5MM L=0.88M		1		
060	036162010	CABLE DRUM		1		
061	924805310	WASHER 5		1		
062	913650154	H.L. TAPPING SCREW 5X15		1		
063	923750340	U-SPEED NUT 5		1		
065	010114063	TANK CAP COMPLETE		1		
066	036114152	FUEL TANK COMPLETE		1		
D10		INC. 67				
067	965404222	AIR VALVE		1		
068	010114063	TANK CAP COMPLETE		1		
069	036114102	OIL TANK COMPLETE		1		
D10		INC. 70				
070	965402491	OIL SUCTION TUBE		1		
071	920208024	HEX. NUT M8X1(FINE THREAD)		1	*	
071-1	264107-8	HEXAGONAL NUT M8	O	1		
072	926208001	SPRING WASHER 8		1	*	
072-1	267822-3	SPRING WASHER 8	O	1		
073	962900057	OIL SEAL 12		1		
074	960102131	BALL BEARING 6201		1		
075	962210092	NEEDLE CAGE		1		
076	036120310	CRANKSHAFT COMPLETE		1		
D10		INC. 75				
077	960102131	BALL BEARING 6201		1		
078	962900057	OIL SEAL 12		1		
079	036245020	OIL PUMP WORM GEAR		1		
080	965531020	CRANKCASE GASKET		1		
081	965531030	CRANKCASE LOWER SIDE		1		
D10		INC. 80				
082	913350404	H.L. SOCKET HEAD BOLT M5X40		4	*	
082-1	266608-2	H.L.TAPPING SCREW 5X40	O	4		

083	913335060	SCREW 3.5X6.5		1		
084	203245002	HOLDER FOR OIL PUMP		1		
085	021245007	OIL PUMP CPL.		1		
D10		INC. 86				
086	021245281	OIL PUMP REPAIR KIT		1		
087	913650304	H.L. TAPPING SCREW 5X30		2		
088	036114020	FIXING BUSH		2		
089	036110606	BRAKE & GUIDE BAR MOUNT BL UE		1		
D10		INC. 90-93				
090	965403491	RUBBER BUFFER		1		
091	965403491	RUBBER BUFFER		1		
092	965403491	RUBBER BUFFER		1		
093	036110021	GUIDE BAR BOLT M8		2		
094	036213052	FRONT HAND GUARD		1		
095	036213081	BUSH		1		
096	927304000	STOP RING E-4		1	*	
096-1	257934-0	STOP RING E-4	O	1		
097	934150200	PIN 5X22		2		
098	036213070	BUSH		1		
099	266605-8	H.L. SOCKET HEAD BOLT M5X16		1		
100	036213030	SPRING		1		
101	001213042	TENSION SLIDE		1		
102	036213090	TESIONING SCREW		1		
103	962650128	PIN 5X12.8		1		
104	163448-8	LINKPLATE COMPLETE		1		
105	028213201	SPRING		1		
106	028213502	BRAKE BAND		1		
107	205250011	SPIKE BAR		1		
108	913650154	H.L. TAPPING SCREW 5X15		2		
109	036223115	CLUTCH DRUM CPL. 3/8"		1		
110	036180210	CLUTCH SET		1		
D10		INC. 111-114				
111	036224050	WASHER SET		1		
112	001182062	GUIDE DISC		1		
113	181184010	SPRING		3	*	
113-1	231860-1	TENSION SPRING 7	O	3		
114	927306000	STOP RING E-6		1	*	
114-1	259033-4	RETAINING RING E TYPE 6	O	1		
115	036213041	COVER		1		
116	036213652	SPROCKET GUARD BLUE		1		
117	923208004	HEX. FLANGE NUT M8(BAR NUT)		2	*	
117-1	252145-2	COLLARED HEX NUT M8	O	2		
118	036153910	CARBURETOR COMPLETE		1	*	
D10		INC. 120,121,124,125				
119	036153016	CARBURETOR COMPLETE		1		
D10		INC. 120,121,124,125				
120	038153360	SCREW		1		
121	036153100	CARBURETOR REPAIR KIT		1		
D10		INC. 122,123				
122	036153110	GASKET & DIAPHRAGM KIT		1		
123	036153040	SCREEN		1		

124	028153200	SCREW		1			
125	ZJ00000014	SCREW (WITH SERRATION)		2			
A05	952010640	BAR COVER 14-17"35-43CM MAKI TA		1	*		
A05-1	419560-5	CHAIN PROTECTION COVER 430	O	1			
A06	941719133	UNIVERSAL WRENCH 13/19		1	*		
A06-1	782033-4	UNIVERSAL WRENCH 13/19	O	1			

Please state Parts No. when your order.

Print Date 10/19/2023