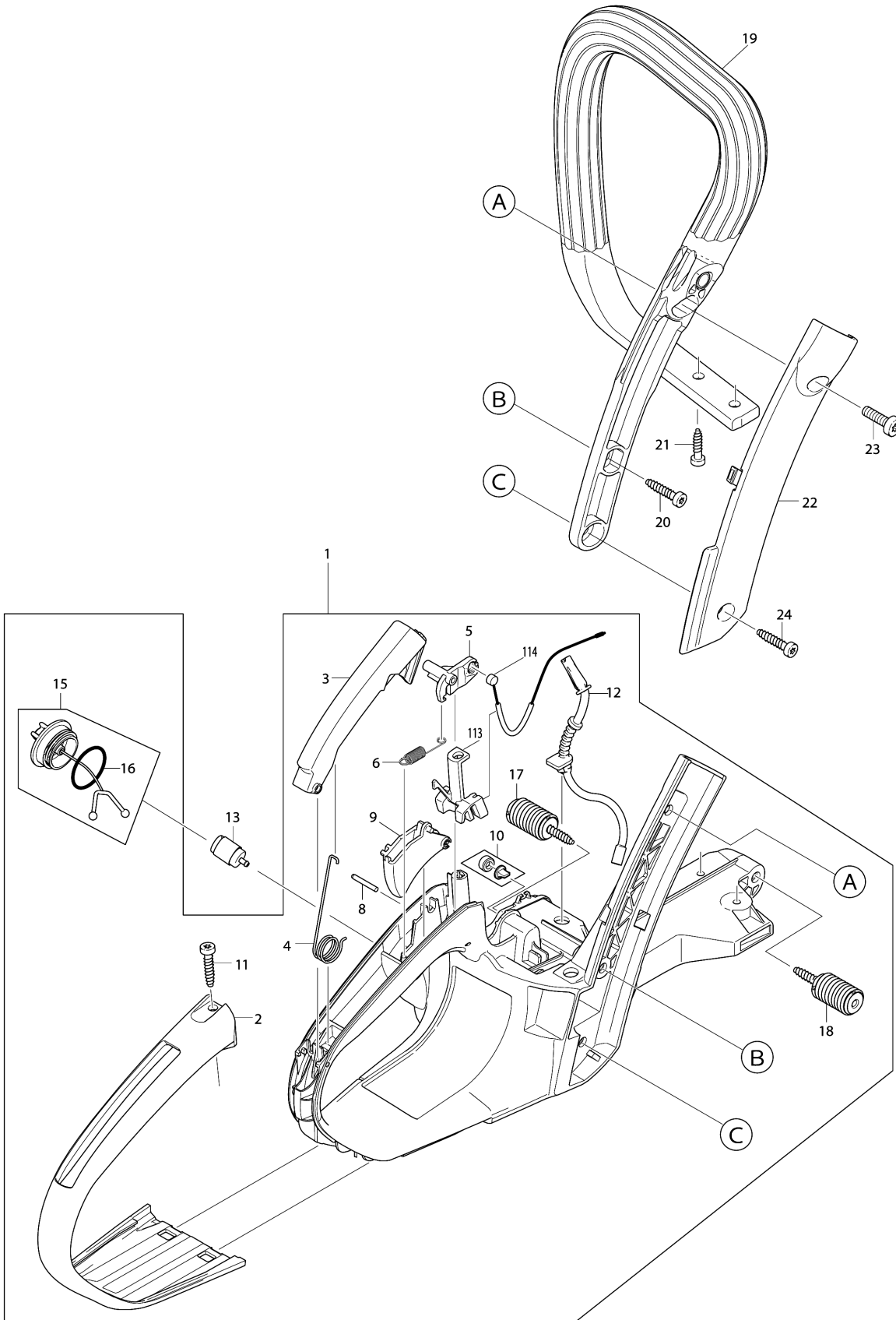
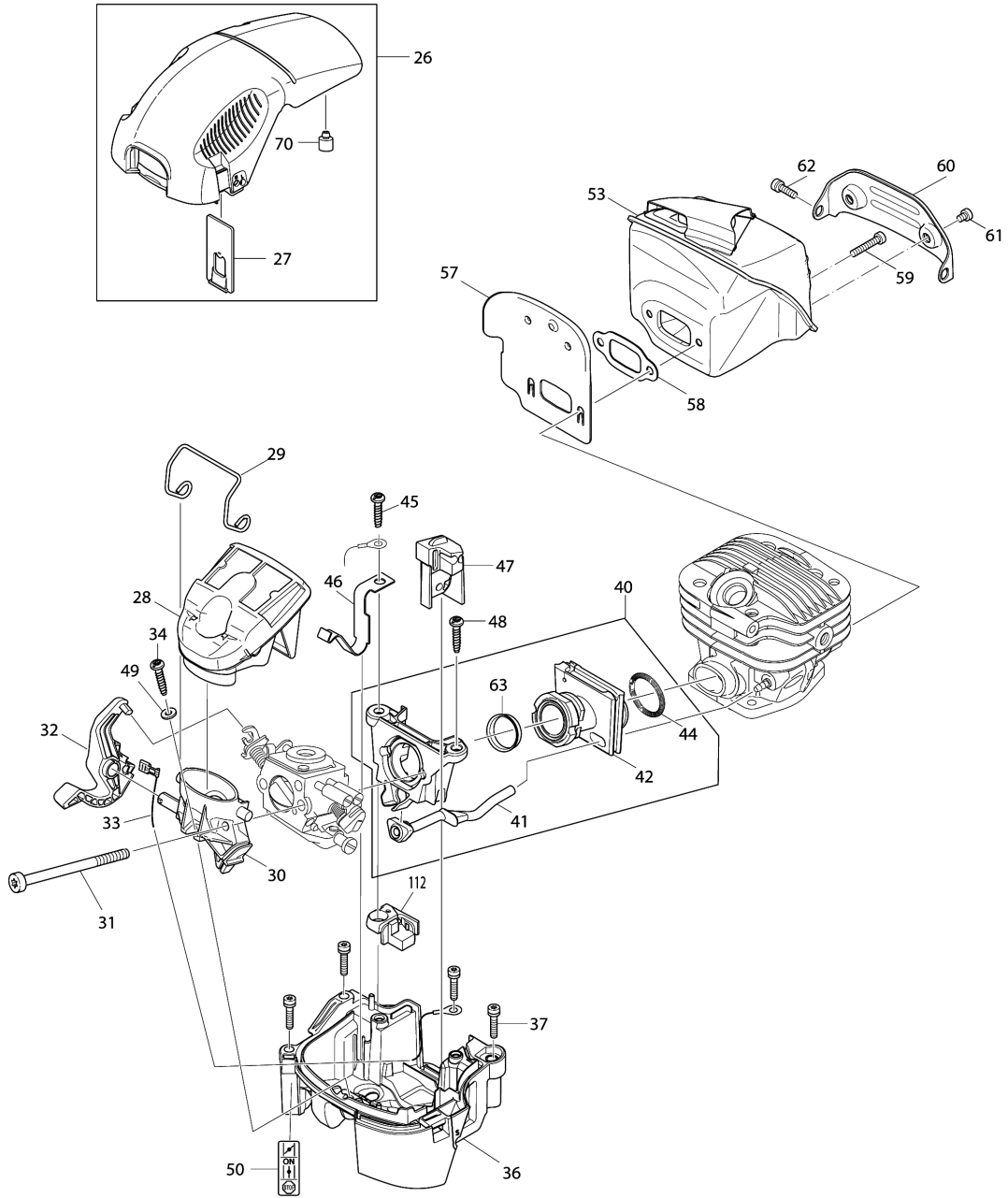


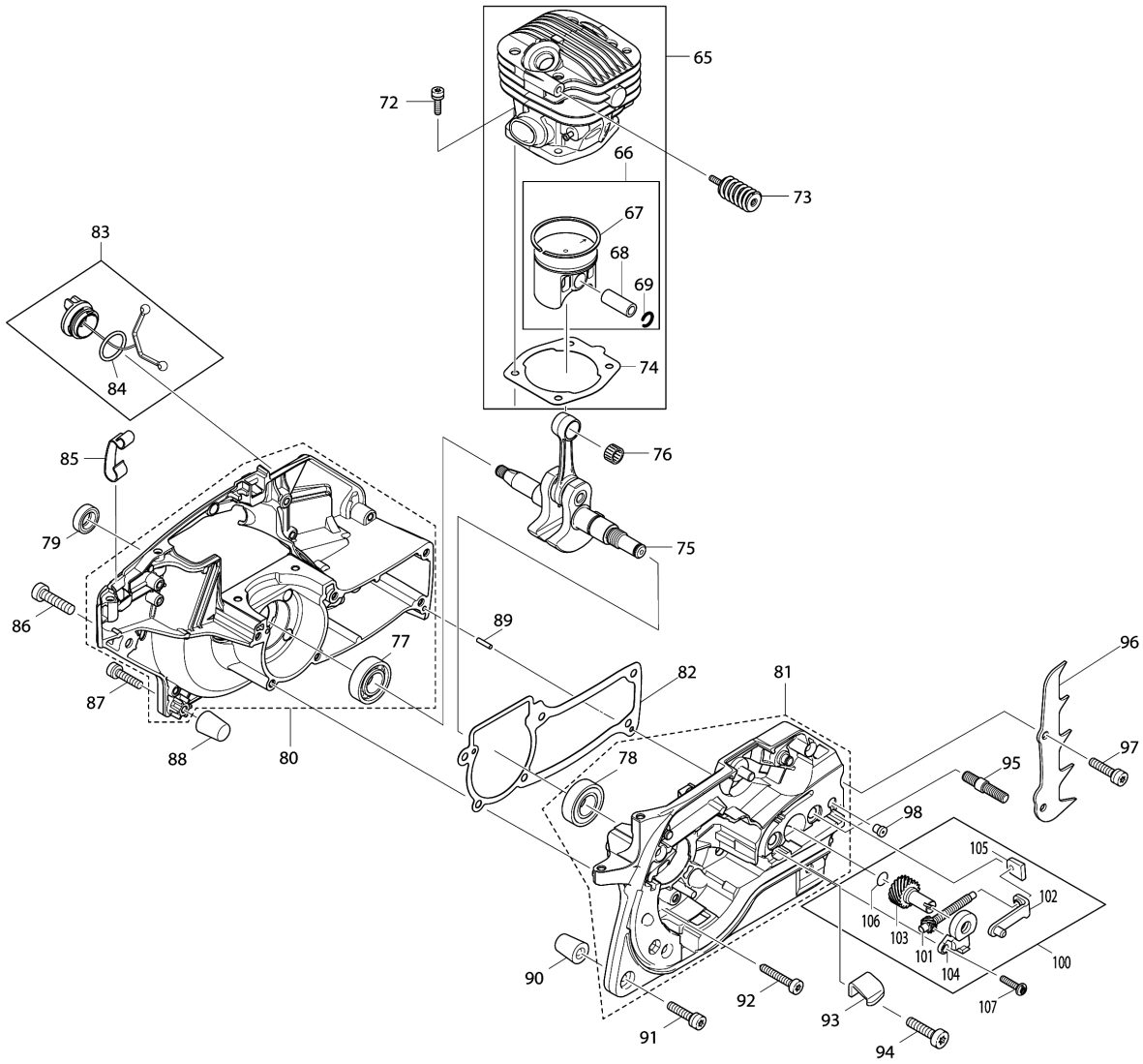
Model No.DCS4630 ENGINE CHAIN SAW



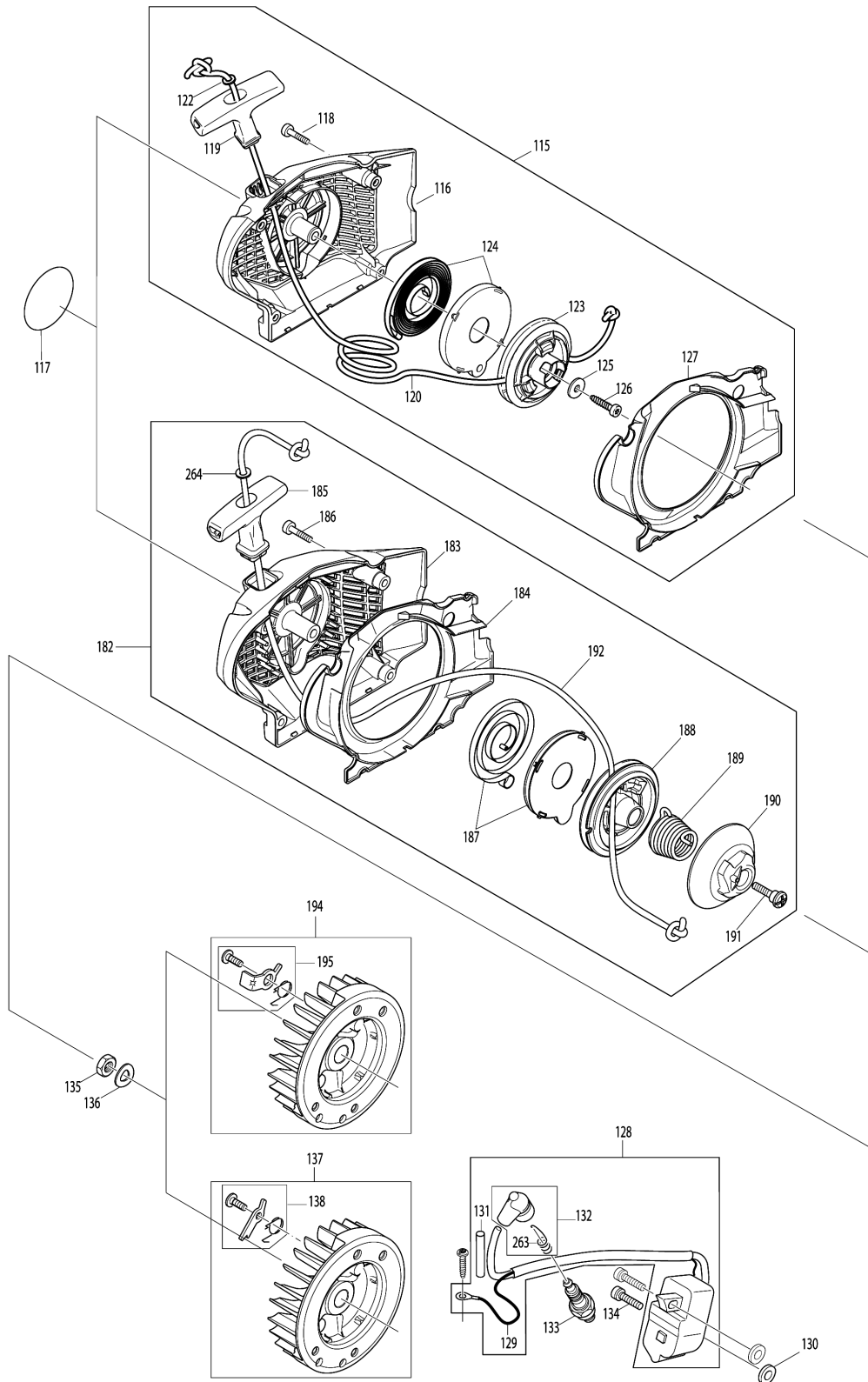
Model No.DCS4630 ENGINE CHAIN SAW



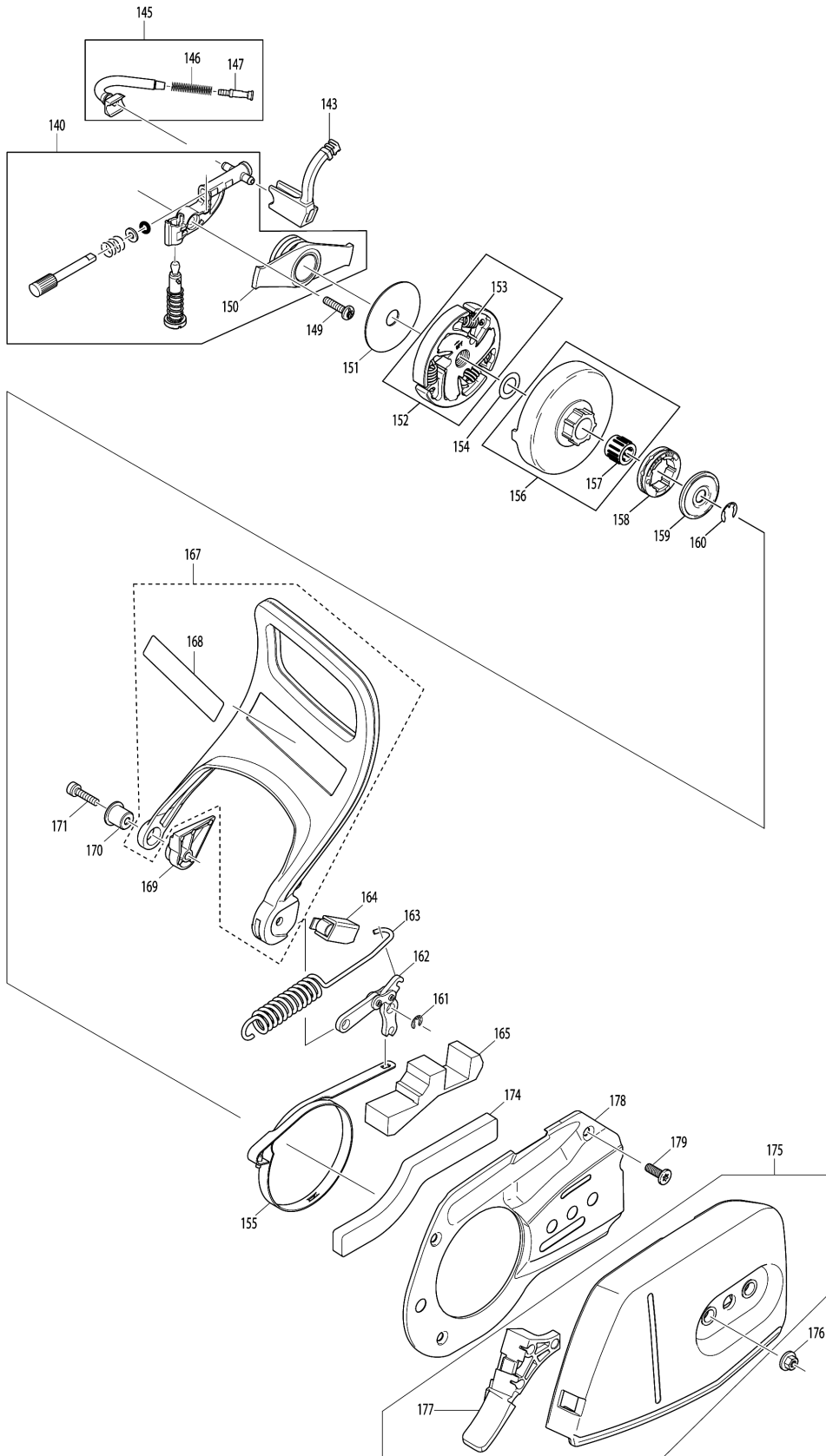
Model No.DCS4630 ENGINE CHAIN SAW



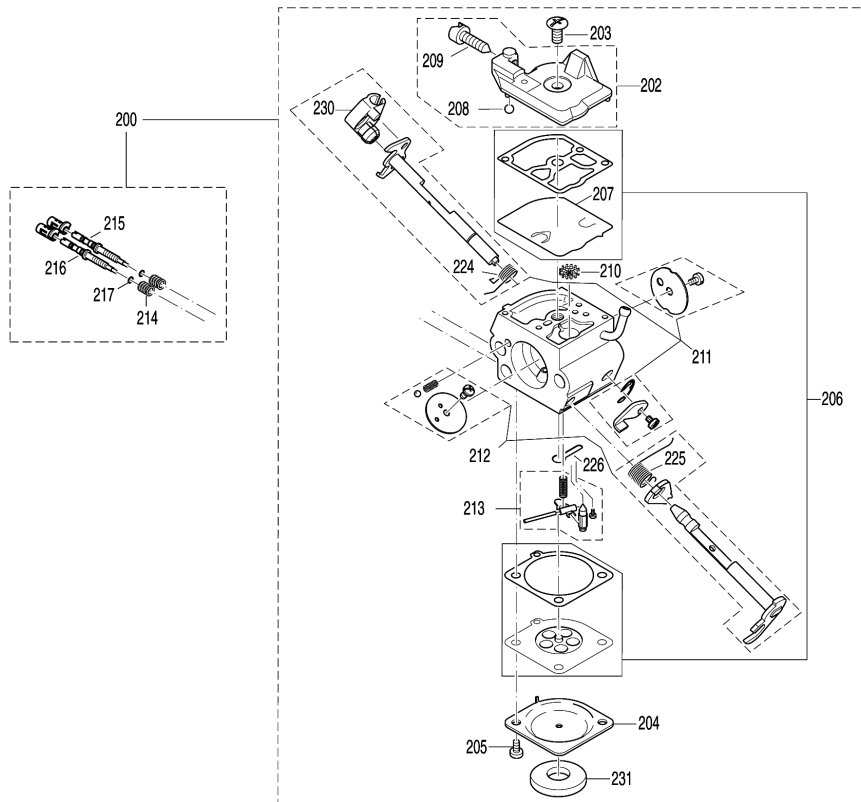
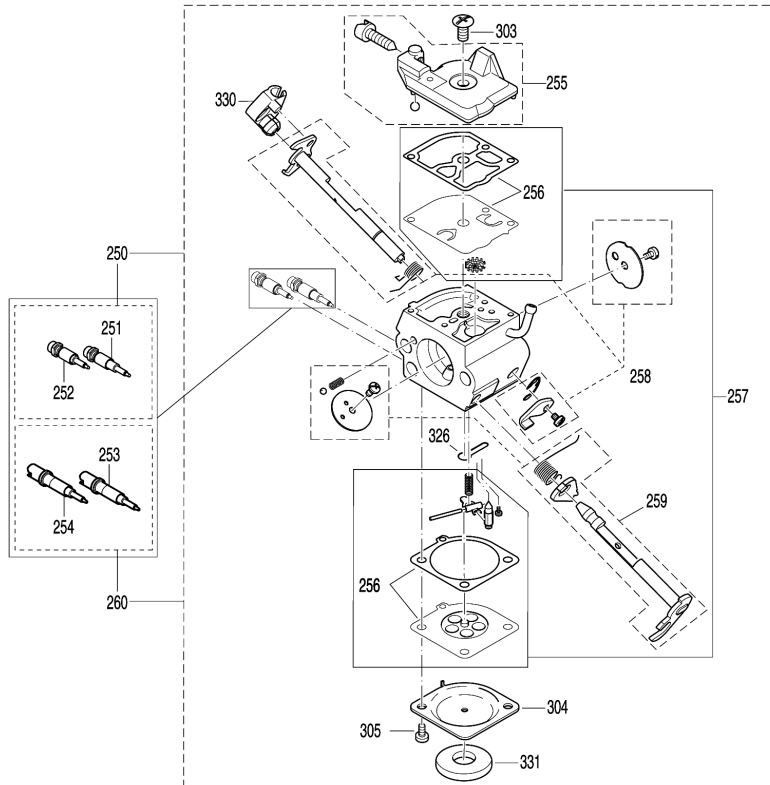
Model No.DCS4630 ENGINE CHAIN SAW



Model No.DCS4630 ENGINE CHAIN SAW



Model No.DCS4630 ENGINE CHAIN SAW



Model No.DCS4630 ENGINE CHAIN SAW

Item	Parts No.	Description	I/C	Qty	New/Old	Opt. 1	Opt. 2	Note
001	181114605	FUEL TANK ASSY BLUE		1				
D10		INC. 2-6,8- 12,15,17,18,113,114						
002	181117050	GRIP OUTER SHELL		1	*			
002-1	450851-5	GRIP OUTER SHELL	O	1				
003	181117132	CATCH LEVER		1				
004	181117031	SPRING		1				
005	181117081	ROCKER		1				
006	181117111	SPRING		1				
008	935930240	CYLINDRICAL PIN 3X24		1	*			
008-1	268233-5	PIN 3	O	1				
009	181117121	THROTTLE LEVER		1				
010	957114061	AIR VALVE CPL.		1				
011	913455204	H.L.TAPPING SCREW 5.5X20		1	*			
011-1	266475-5	H.L.TAPPING SCREW 5.5X20	O	1				
012	181114065	FUEL LINE		1				
013	163499-1	SUCTION HEAD		1	*			
C10	010114020	REP.KIT, FILTER(FELT ELEMENT)		1	*			
013-1	010114200	FUEL FILTER ASSY		1				
015	181114202	TANK CAP CPL.		1	*			
D10		INC. 16			*			
015-1	168507-3	TANK CAP COMPLETE	O	1				
D10		INC. 16						
016	213080-9	O RING 29.5		1				
017	181114301	DAMPING SPRING, CPL.		1				
018	181114301	DAMPING SPRING, CPL.		1				
019	181310200	FRONT HANDLE		1				
020	913455204	H.L.TAPPING SCREW 5.5X20		1	*			
020-1	266475-5	H.L.TAPPING SCREW 5.5X20	O	1				
021	913455164	H.L. TAPPING SCREW 5.5X16		2	*			
021-1	266478-9	H.L.TAPPING SCREW 5.5X16	O	2				
022	181114652	HANDLE COVER MAKITA BLUE		1				
023	908006205	H.L. SOCKET HEAD BOLT M6X20		1	*			
023-1	266479-7	H.L. SOCKET HEAD BOLT M6X20	O	1				
024	913455204	H.L.TAPPING SCREW 5.5X20		1	*			
024-1	266475-5	H.L.TAPPING SCREW 5.5X20	O	1				
026	181118240	AIR FILTER ELEMENT COVER		1	*			
D10		INC. 27,70			*			
026-1	181118241	AIR FILTER ELEMENT COVER		1	*			
D10		INC. 27,70			*			
026-2	181118242	AIR FILTER ELEMENT COVER	O	1				
D10		INC. 27,70						
027	181118060	ANTI ICING PLATE SUMMER		1				
028	181173090	AIR FILTER ELEMENT NYLON MESH		1				

Please order the parts with part number.

Print Date 19/10/2023

Model No.DCS4630 ENGINE CHAIN SAW

Item	Parts No.	Description	I/C	Qty	New/Old	Opt. 1	Opt. 2	Note
028A_	181173240	AIR FILTER ELEMENT FINE NYLON		1				
028B_	181173190	AIR FILTER ELEMENT FLEECE		1				
029	325593-9	CLIP		1				
030	181171011	AIR SUCTION PIPE		1				
031	908505555	H.L. SOCKET HEAD BOLT M5X55		2	*			
031-1	266480-2	H.L. SOCKET HEAD BOLT M5X55	O	2				
032	181155020	ENGINE STOP / CHOKE LEVER		1	*			
032-1	181155070	ENGINE STOP / CHOKE LEVER		1				
033	970311550	EARTH CABLE		1	*			
033-1	970311580	EARTH CABLE		1				
034	913455164	H.L. TAPPING SCREW 5.5X16		1	*			
034-1	266478-9	H.L.TAPPING SCREW 5.5X16	O	1				
036	181131680	CARBURETOR HOUSING ASSY BLUE		1				
037	908805205	H.L. SOCKET HEAD BOLT M5X20		4	*			
037-1	266472-1	TORX SOCKET HEAD BOLT M5X20	O	4				
040	181171160	INTAKE MANIFOLD SET		1				
D10		INC. 41,42,44,63						
041	181131090	OIL RESISTANT HOSE		1				
042	181131040	INTAKE MANIFOLD		1	*			
042-1	181131041	INTAKE HOSE	O	1				
044	181131070	RING SPRING		1	*			
044-1	233971-8	RING SPRING	O	1				
045	913455164	H.L. TAPPING SCREW 5.5X16		1	*			
045-1	266478-9	H.L.TAPPING SCREW 5.5X16	O	1				
046	181155060	CONTACT SPRING		1				
047	181155030	ADJUSTING GUIDE		1	*			
047-1	181155080	ADJUSTING GUIDE		1				
048	913455164	H.L. TAPPING SCREW 5.5X16		1	*			
048-1	266478-9	H.L.TAPPING SCREW 5.5X16	O	1				
049	928405000	SPRING WASHER 5		1	*			
049-1	267821-5	SPRING WASHER 5	O	1				
050	980115961	LABEL		1	*			
050-1	816917-5	INDICATION LABEL	O	1				
053	181174102	MUFFLER		1				
057	181174062	HEAT INSULATION PLATE		1				
058	181174050	MUFFLER GASKET		1				
059	908005205	H.L. SOCKET HEAD BOLT M5X20		2	*			
059-1	266476-3	H.L. SOCKET HEAD BOLT M5X20	O	2				
060	181174091	MUFFLER COVER		1				
061	909005105	H.L. SOCKET HEAD BOLT M5X10		2	*			
061-1	266612-1	H.L. SOCKET HEAD BOLT M5X10	O	2				

Please order the parts with part number.

Print Date 19/10/2023

Model No.DCS4630 ENGINE CHAIN SAW

Item	Parts No.	Description	I/C	Qty	New/Old	Opt. 1	Opt. 2	Note
062	908805205	H.L. SOCKET HEAD BOLT M5X20		1	*			
062-1	266472-1	TORX SOCKET HEAD BOLT M5X20	O	1				
063	346413-4	BUSH 17		1				
065	178130215	CYLINDER FOR DECOMP PISTON SET		1				
D10		INC. 66,74						
066	180132063	PISTON,PISTON RING & PIN SET		1				
D10		INC. 67-69						
067	180132080	PISTON RING 43MM		1				
068	181132090	PISTON PIN		1				
069	181132050	CIRCLIP 10		2	*			
069-1	181132050	CIRCLIP 10	O	2				
070	181118070	RUBBER DAMPING PLUG		2	*			
070-1	424173-9	DAMPING PLUG	O	2				
072	908805235	H.L. SOCKET HEAD BOLT M5X23		4	*			
072-1	266473-9	H.L. SOCKET HEAD BOLT M5X23	O	4				
073	181114401	DAMPING SPRING,CPL.		1				
074	181131133	CYLINDER GASKET		1	*			
074-1	181131134	CYLINDER GASKET	O	1				
075	181120100	CRANKSHAFT CPL.		1	*			
075-1	185120200	CRANKSHAFT CPL.		1	*			
075-2	143395-9	CRANKSHAFT CPL.	O	1				
076	962210103	NEEDLE CAGE		1				
077	211154-0	BALL BEARING 6202		1				
078	960123159	BALL BEARING 6202		1	*			
C10	962900065	OIL SEAL		1	*			
078-1	211250-4	BALL BEARING 1514	O	1				
079	962900156	OIL SEAL		1	*			
079-1	213141-5	OIL SEAL 12	O	1				
080	181111655	CRANKCASE ASSY LEFT BLUE		1				
D10		INC. 77						
081	181111642	CRANKCASE ASSY RIGHT BLUE		1				
D10		INC. 78						
082	181111061	CRANKCASE GASKET		1				
083	170114100	TANK CAP COMPLETE		1	*			
D10		INC. 84			*			
083-1	168508-1	TANK CAP COMPLETE	O	1				
D10		INC. 84						
084	963225030	O RING		1	*			
084-1	213355-6	O-RING 25	O	1				
085	181118050	STEELCLIP		3				
086	908006205	H.L. SOCKET HEAD BOLT M6X20		1	*			

Please order the parts with part number.

Print Date 19/10/2023

Model No.DCS4630 ENGINE CHAIN SAW

Item	Parts No.	Description	I/C	Qty	New/Old	Opt. 1	Opt. 2	Note
086-1	266479-7	H.L. SOCKET HEAD BOLT M6X20	O	1				
087	908805205	H.L. SOCKET HEAD BOLT M5X20		1	*			
087-1	266472-1	TORX SOCKET HEAD BOLT M5X20	O	1				
088	181111230	RUBBER BUFFER		1				
089	936430160	PIN 3X16		2	*			
089-1	258038-1	CLAMPING PIN	O	2				
090	181111230	RUBBER BUFFER		1				
091	908805205	H.L. SOCKET HEAD BOLT M5X20		1	*			
091-1	266472-1	TORX SOCKET HEAD BOLT M5X20	O	1				
092	908005205	H.L. SOCKET HEAD BOLT M5X20		6	*			
092-1	266476-3	H.L. SOCKET HEAD BOLT M5X20	O	6				
093	181111050	CHAIN CATCH		1	*			
093-1	181111051	CHAIN CATCH	O	1				
094	908006205	H.L. SOCKET HEAD BOLT M6X20		1	*			
094-1	266479-7	H.L. SOCKET HEAD BOLT M6X20	O	1				
095	905808210	GUIDE BAR BOLT M8X21		2				
096	181250011	SPIKE BAR		1				
097	908805205	H.L. SOCKET HEAD BOLT M5X20		2	*			
097-1	266472-1	TORX SOCKET HEAD BOLT M5X20	O	2				
098	010245030	VENT VALVE		1	*			
098-1	168504-9	VENT VALVE	O	1				
100	181213300	CHAIN TENSIONER CPL.		1				
D10		INC. 101-106						
101	181213230	TENSIONING SCREW		1	*			
101-1	227743-1	HELICAL GEAR 11	O	1				
102	181213240	TENSION SLIDE		1	*			
102-1	181213241	TENSION SLIDE	O	1				
103	181213250	ADJUSTING SCREW		1	*			
103-1	227744-9	HELICAL GEAR 18	O	1				
104	452667-4	GEAR COVER PROFESSIONAL		1				
105	181213260	TENSIONING SCREW BEARING		1				
106	963207020	O RING		1				
107	908705125	H.L. SOCKET HEAD BOLT M5X12		1	*			
107-1	266484-4	H.L. SOCKET HEAD BOLT M5X12	O	1				
112	181131140	RUBBER BUSH		1				
113	181117094	RETAINING CLIP		1				
114	181117041	THROTTLE CONTROL CABLE		1				
115	181160660	STARTER ASSY BLUE		1	*			
D10		INC. 116,118-120,122-127			*			
116	181112621	STARTER HOUSING BLUE		1	*			

Please order the parts with part number.

Print Date 19/10/2023

Model No.DCS4630 ENGINE CHAIN SAW

Item	Parts No.	Description	I/C	Qty	New/Old	Opt. 1	Opt. 2	Note
117	980115500	LABEL DCS4630		1				
118	908805205	H.L. SOCKET HEAD BOLT M5X20		4	*			
119	001161020	STARTER GRIP		1	*			
120	108164020	STARTER ROPE 3.5MM (L=0.98M)		1	*			
122	928405000	SPRING WASHER 5		1	*			
123	181162150	CABLE DRUM		1	*			
124	181163020	REWIND SPRING IN HOUSING		1	*			
125	924605510	WASHER 5.5/18X1.6		1	*			
126	913455204	H.L.TAPPING SCREW 5.5X20		1	*			
127	181118120	AIR GUIDE PLATE		1	*			
128	181143210	IGNITION COIL COMPLETE		1	*			
D10		INC. 129,131,132			*			
128-1	181143212	IGNITION COIL COMPLETE		1	*			
D10		INC. 129,131,132			*			
128-2	181143213	IGNITION COIL COMPLETE	O	1	*			
D10		INC. 129,131,132			*			
128-3	181143214	IGNITION COIL COMPLETE	O	1				
D10		INC. 129,131,132						
129	181147050	IGNITION CABLE		1				
130	195143031	ISOLATION WASHER		2	*			
130-1	451462-9	ISOLATING WASHER	O	2				
131	970502110	INSULATING TUBE 6 L=1M		1	*			
131-1	970502120	INSULATING TUBE	O	1				
132	957604260	PLUG CAP COMPLETE		1				
D10		INC. 263						
133	168648-5	SPARK PLUG (BPMR7A)		1				
134	908805205	H.L. SOCKET HEAD BOLT M5X20		2	*			
134-1	266472-1	TORX SOCKET HEAD BOLT M5X20	O	2				
135	920208024	HEX. NUT M8X1(FINE THREAD)		1	*			
135-1	264107-8	HEXAGONAL NUT M8	O	1				
136	926208001	SPRING WASHER 8		1	*			
136-1	267822-3	SPRING WASHER 8	O	1				
137	181141104	FLYWHEEL ASSY.		1	*			
D10		INC. 138			*			
138	181166050	STARTER RATCHET CP(2PCS EACH)		1	*			
140	181245251	OIL PUMP CPL.		1				
D10		INC. 150						
143	181245120	OIL LINE		1	*			
143-1	424178-9	OIL TUBE	O	1				
145	144274-4	TUBE COMPLETE		1				
D10		INC. 146,147						
146	231975-4	SPRING		1				
147	452666-6	NIPPLE		1	*			

Please order the parts with part number.

Print Date 19/10/2023

Model No.DCS4630 ENGINE CHAIN SAW

Item	Parts No.	Description	I/C	Qty	New/Old	Opt. 1	Opt. 2	Note
147-1	452666-6	NIPPLE	O	1				
149	908705125	H.L. SOCKET HEAD BOLT M5X12		1	*			
149-1	266484-4	H.L SOCKET HEAD BOLT M5X12	O	1				
150	181245090	PUMP DRIVE		1	*			
150-1	450956-1	PUMP DRIVE	O	1				
151	267389-1	FLAT WASHER 12		1				
152	181180300	CLUTCH ASSY		1	*			
D10		INC. 153			*			
152-1	127443-2	CLUTCH ASSEMBLY	O	1				
D10		INC. 153						
153	232352-3	TENSION SPRING 6		3	*			
153-1	232352-3	TENSION SPRING 6	O	3				
154	181224090	FLAT WASHER 10		1				
155	181213011	BRAKE BAND		1	*			
155-1	346029-5	BRAKE BAND	O	1				
156	181223200	CLUTCH DRUM COMPLETE		1	*			
D10		INC. 157			*			
156-1	144765-5	CLUTCH DRUM COMPLETE	O	1				
D10		INC. 157						
157	962300009	NEEDLE BEARING		1	*			
157-1	212082-2	NEEDLE BEARING 1012	O	1				
158A	181224040	RIM SPROCKET .325" SM7-7		1				
158B	026224010	RIM SPROCKET 3/8" SM7-7		1				
159	181224081	WASHER 29		1	*			
159-1	267820-7	WASHER 29	O	1				
160	927408000	STOP RING E-8		1	*			
160-1	259045-7	STOP RING E-8	O	1				
161	927304000	STOP RING E-4		1	*			
161-1	257934-0	STOP RING E-4	O	1				
162	185213100	BREAK LINK PLATE COMPLETE		1				
163	181213023	TENSION SPRING		1	*			
163-1	231870-8	TENSION SPRING 10	O	1				
164	181213170	HANDGUARD GUIDE,CPL.		1	*			
164-1	450926-0	STOPPER CASE	O	1				
165	181213371	FOAM SPONGE		1				
167	181213161	HAND GUARD CPL.		1	*			
D10		INC. 168			*			
167-1	181213162	HAND GUARD CPL.	O	1	*			
167-2	181213163	HAND GUARD CPL.	O	1				
168	810449-4	CAUTION LABEL		1				
169	181213310	SPACER		1				
170	181213320	BUSHING		1	*			
170-1	325604-0	BUSH	O	1				
171	908805205	H.L. SOCKET HEAD BOLT M5X20		1	*			

Please order the parts with part number.

Print Date 19/10/2023

Model No.DCS4630 ENGINE CHAIN SAW

Item	Parts No.	Description	I/C	Qty	New/Old	Opt. 1	Opt. 2	Note
171-1	266472-1	TORX SOCKET HEAD BOLT M5X20	O	1				
174	181213400	FOAM SPONGE		1				
175	957213600	SPROCKET GUARD COMPLETE BLUE		1				
D10		INC. 177						
176	923208004	HEX. FLANGE NUT M8(BAR NUT)		2	*			
176-1	252145-2	COLLARED HEX NUT M8	O	2				
177	957213220	CHIP GUIDE		1				
178	181213191	COVER		1				
179	908105126	H.L.S. FLAT HEAD BOLT M5X12		3	*			
179-1	266477-1	H.L. C.S. HEAD SCREW M5X12	O	3				
182	181160670	STARTER ASSY. BLUE		1	*			
D10		INC. 183-192,264			*			
182-1	123562-2	STARTING DEVICE BLUE CPL.	O	1				
D10		INC. 183-192,264						
183	181112660	STARTER HOUSING BLUE		1				
184	181118120	AIR GUIDE PLATE		1	*			
184-1	456685-4	AIR GUIDE PLATE	O	1				
185	181164010	STARTER GRIP		1	*			
185-1	452458-3	STARTER GRIP	O	1				
186	266942-0	H.L. SOCKET HEAD BOLT M5X20		4				
187	140587-1	REWIND SPRING COMPLETE		1				
188	181162020	CABLE DRUM		1	*			
188-1	452224-8	CABLE DRUM	O	1				
189	234193-3	SPRING EASY START		1				
190	181163090	STARTER WHEEL		1	*			
190-1	452227-2	DRIVER EASY START	O	1				
191	181163095	STEPPED TAPPING SCREW 5X16.5		1	*			
191-1	266616-3	SCREW	O	1				
192	108164020	STARTER ROPE 3.5MM (L=0.98M)		1				
194	143331-5	FLYWHEEL COMPLETE		1	*			
D10		INC. 195			*			
194-1	158867-1	FLYWHEEL COMPLETE	<	1				
D10		INC. 195						
195	181166100	STARTER RATCHET CP(2PCS EACH)		1				
200	181153100	CARBURETOR		1	*			
D10		INC. 202-206,210-217,226,231			*			
202	181153030	PUMP COVER		1	*			
D10		INC. 208,209			*			
203	038153360	SCREW		1	*			
204	181153040	DIAPHRAGM COVER		1	*			
205	ZJ00000014	SCREW (WITH SERRATION)		2	*			
206	181153020	SET DAIPHRAGM/GASKETS		1	*			

Please order the parts with part number.

Print Date 19/10/2023

Model No.DCS4630 ENGINE CHAIN SAW

Item	Parts No.	Description	I/C	Qty	New/Old	Opt. 1	Opt. 2	Note
D10		INC. 207			*			
207	181153050	PUMP DIAPHRAGM TEFLON		1	*			
208	038153210	LOCKING BALL		1	*			
209	181153070	IDLE STOP SCREW		1	*			
210	036153040	SCREEN		1	*			
211	957153090	KIT THROTTLE SHAFT		1	*			
D10		INC. 224,230			*			
212	957153080	KIT CHOKE SHAFT		1	*			
D10		INC. 225			*			
213	957153070	CONTROL PARTS		1	*			
214	028153480	SPRING		2	*			
215	181153180	IDLE ADJUSTMENT SCREW		1	*			
216	181153190	MAIN ADJUSTMENT SCREW		1	*			
217	181153220	WASHER		2	*			
224	181153110	SPRING		1	*			
225	181153160	SPRING		1	*			
226	181153210	PLUG-WELCH		1	*			
230	038155012	RETAINING CLIP		1	*			
231	965402995	GASKET		1	*			
250	181153301	CARBURETOR (REGULATED MARKET)		1				
D10		INC. 251,252,255,257-259,						
D20		303-305,326,330,331						
251	181153261	IDLE ADJUSTMENT SCREW L (DD)		1				
252	181153271	MAIN ADJUSTMENT SCREW H (DD)		1				
255	181153031	PUMP COVER		1				
256	181153021	DIAPHRAGM & GASKETS		1				
257	181153560	REBUILD KIT		1				
D10		INC. 256						
258	181153570	KIT THROTTLE SHAFT		1				
259	181153580	KIT CHOKE SHAFT		1				
263	965604180	PLUG CAP SPRING		1	*			
263-1	234358-7	TERMINAL SPRING	O	1				
264	928405000	SPRING WASHER 5		1	*			
264-1	267821-5	SPRING WASHER 5	O	1				
303	038153360	SCREW		1				
304	181153040	DIAPHRAGM COVER		1				
305	ZJ00000014	SCREW (WITH SERRATION)		2				
326	181153210	PLUG-WELCH		1				
330	038155012	RETAINING CLIP		1				
331	965402995	GASKET		1				
A41	957004011	TOOL CPL.		1				
D10		INC. A43-A46						
A42	944500795	CYLINDER FIN CLEANER		1				
A43	941719133	UNIVERSAL WRENCH 13/19		1	*			

Please order the parts with part number.

Print Date 19/10/2023

Model No.DCS4630 ENGINE CHAIN SAW

Item	Parts No.	Description	I/C	Qty	New/Old	Opt. 1	Opt. 2	Note
A43-1	782033-4	UNIVERSAL WRENCH 13/19	O	1				
A44	940827000	HEXALOBULAR ANGLED DRIVER T27		1	*			
A44-1	782025-3	HEXALOBULAR WRENCH 27	O	1				
A45	783012-5	SCREWDRIVER		1				
A46	950004002	PLASTIC BAG		1	*			
A46-1	831340-3	TOOL BAG	O	1				

Please order the parts with part number.

Print Date 19/10/2023