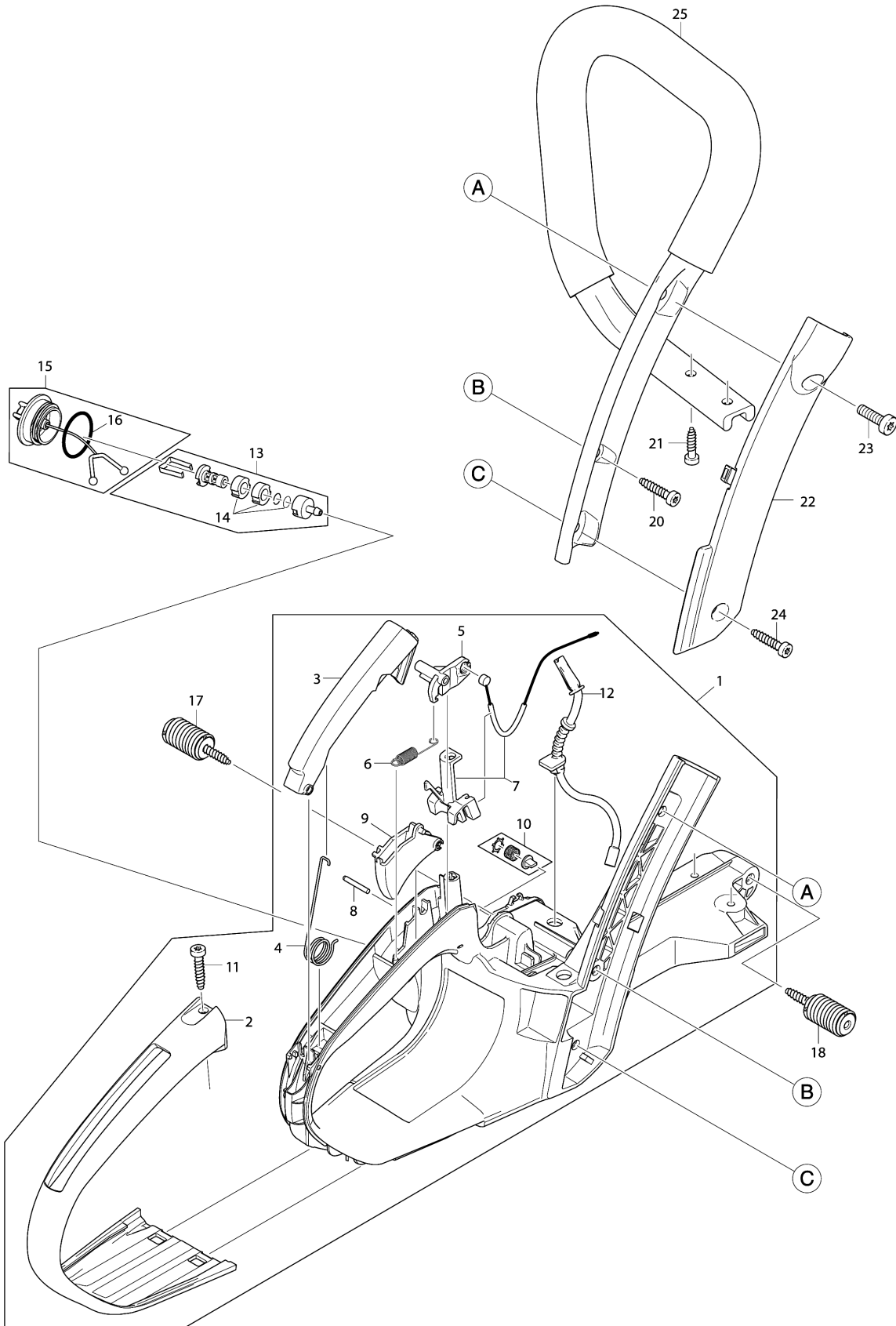
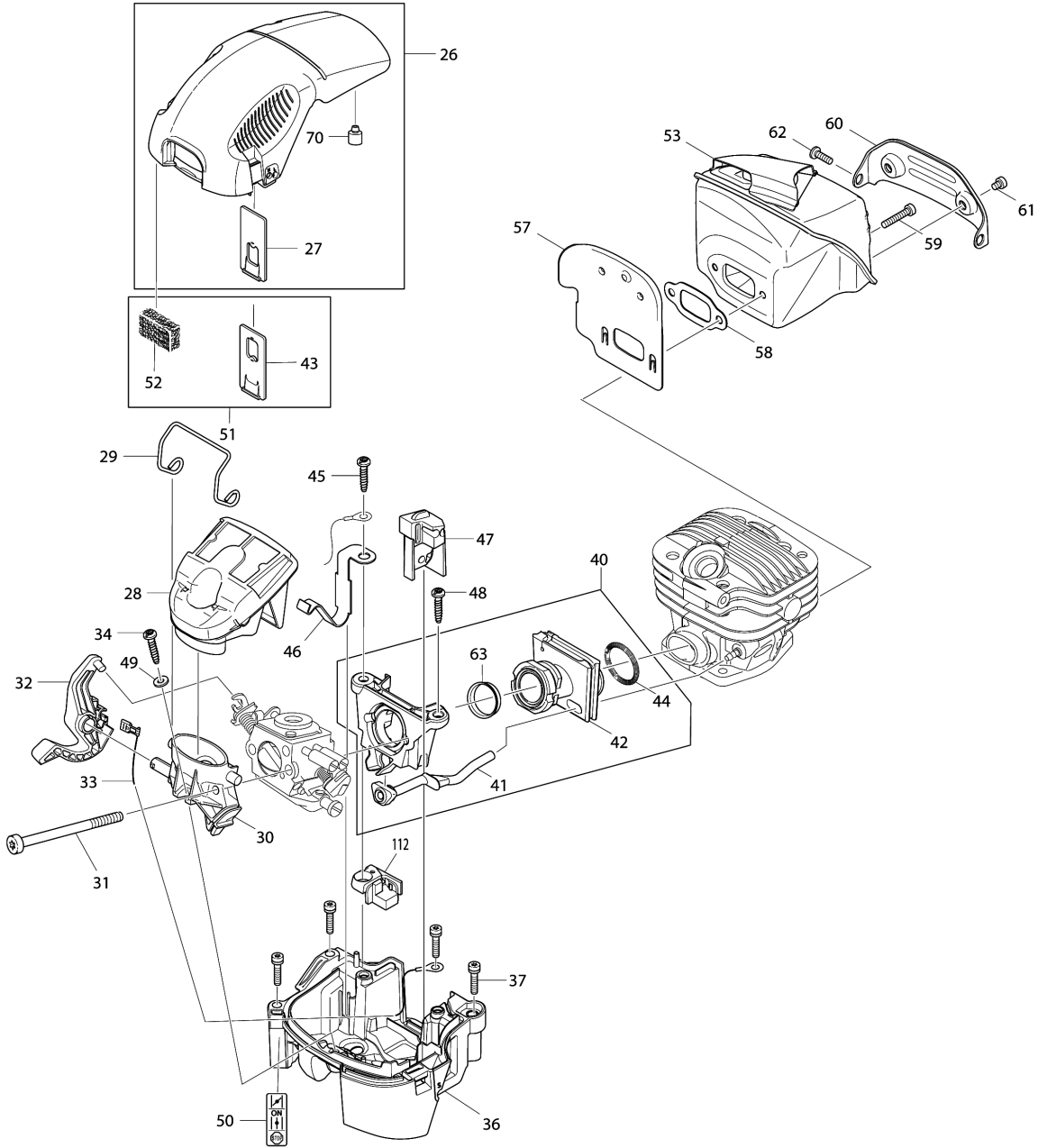


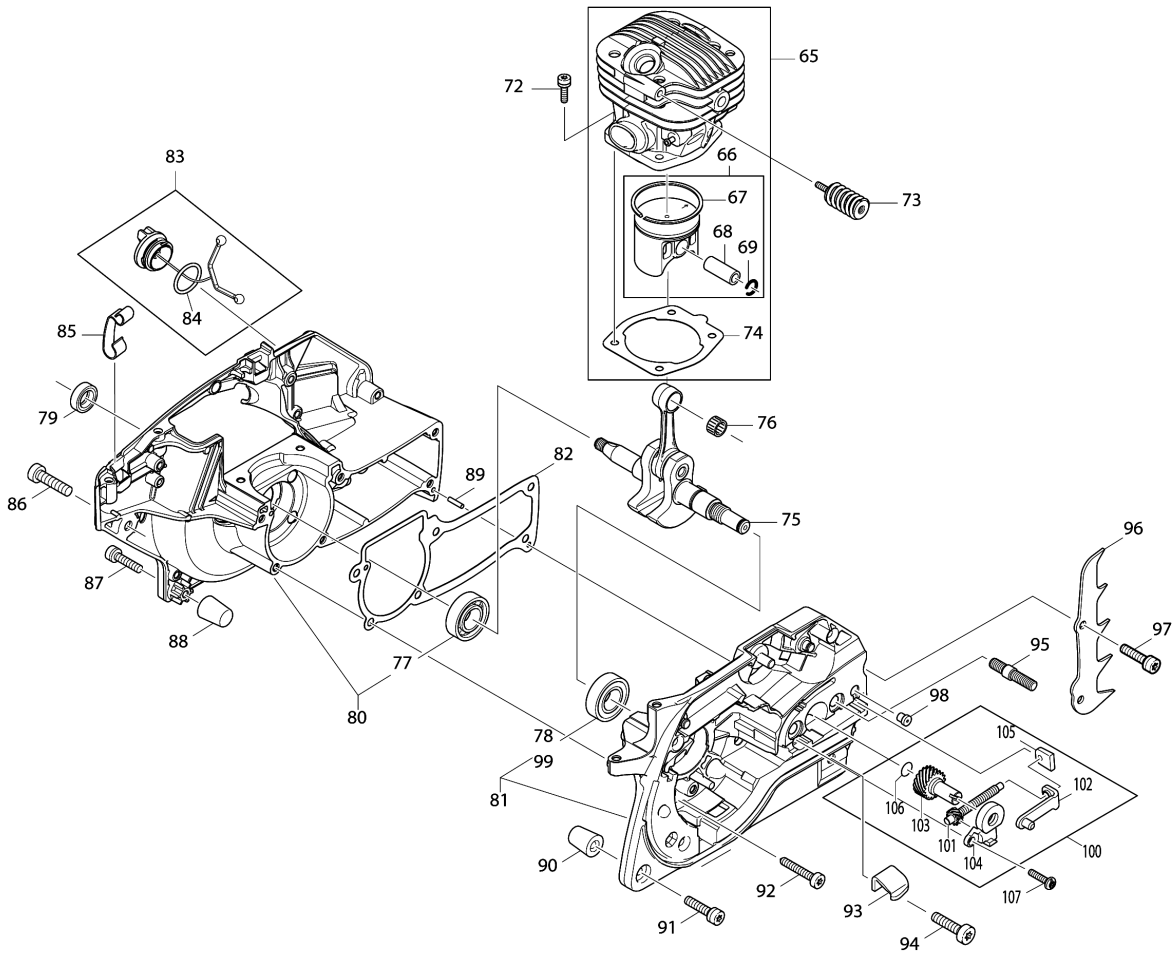
Model No.DCS5030 PETROL CHAINSAW



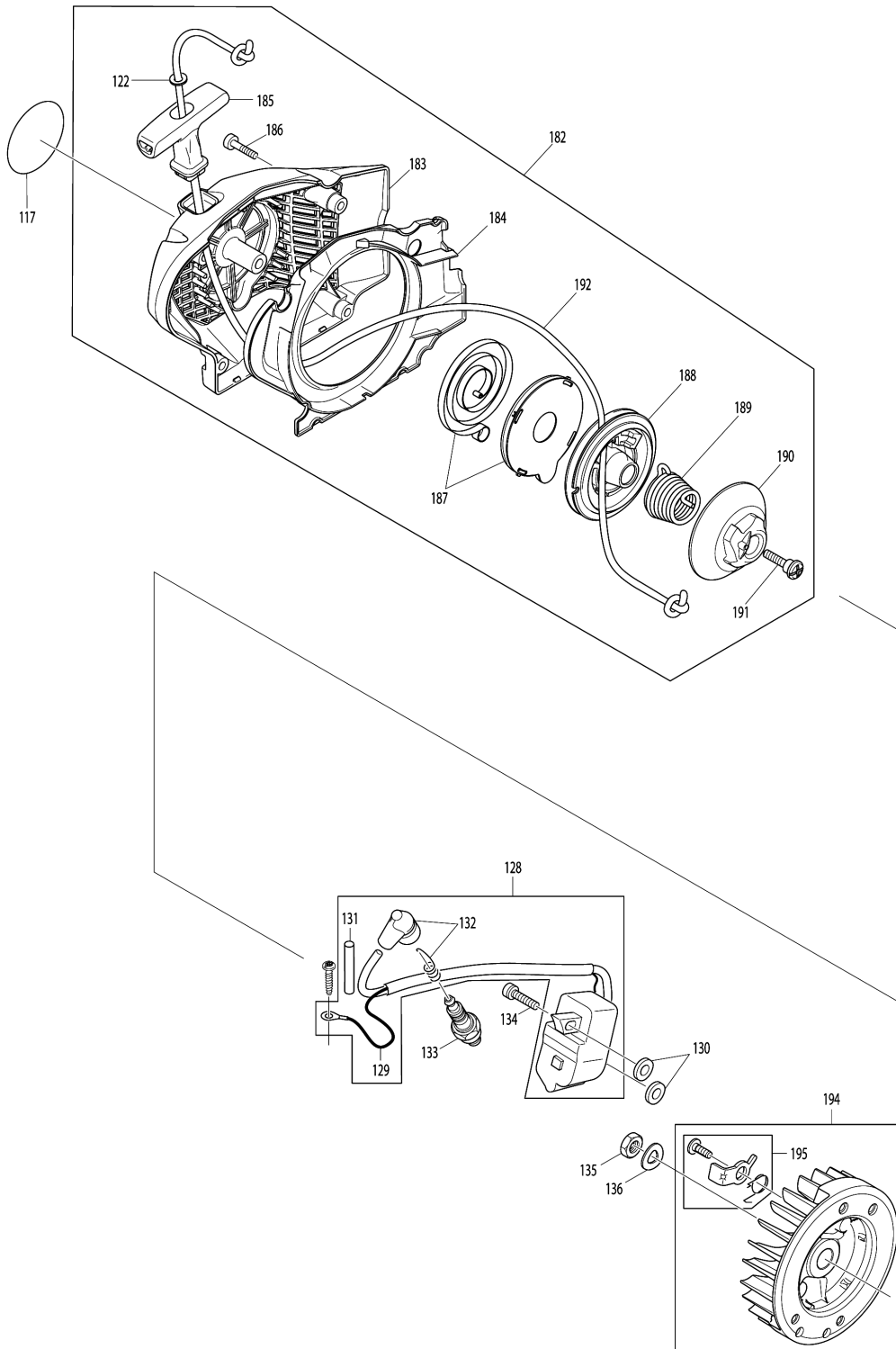
Model No.DCS5030 PETROL CHAINSAW



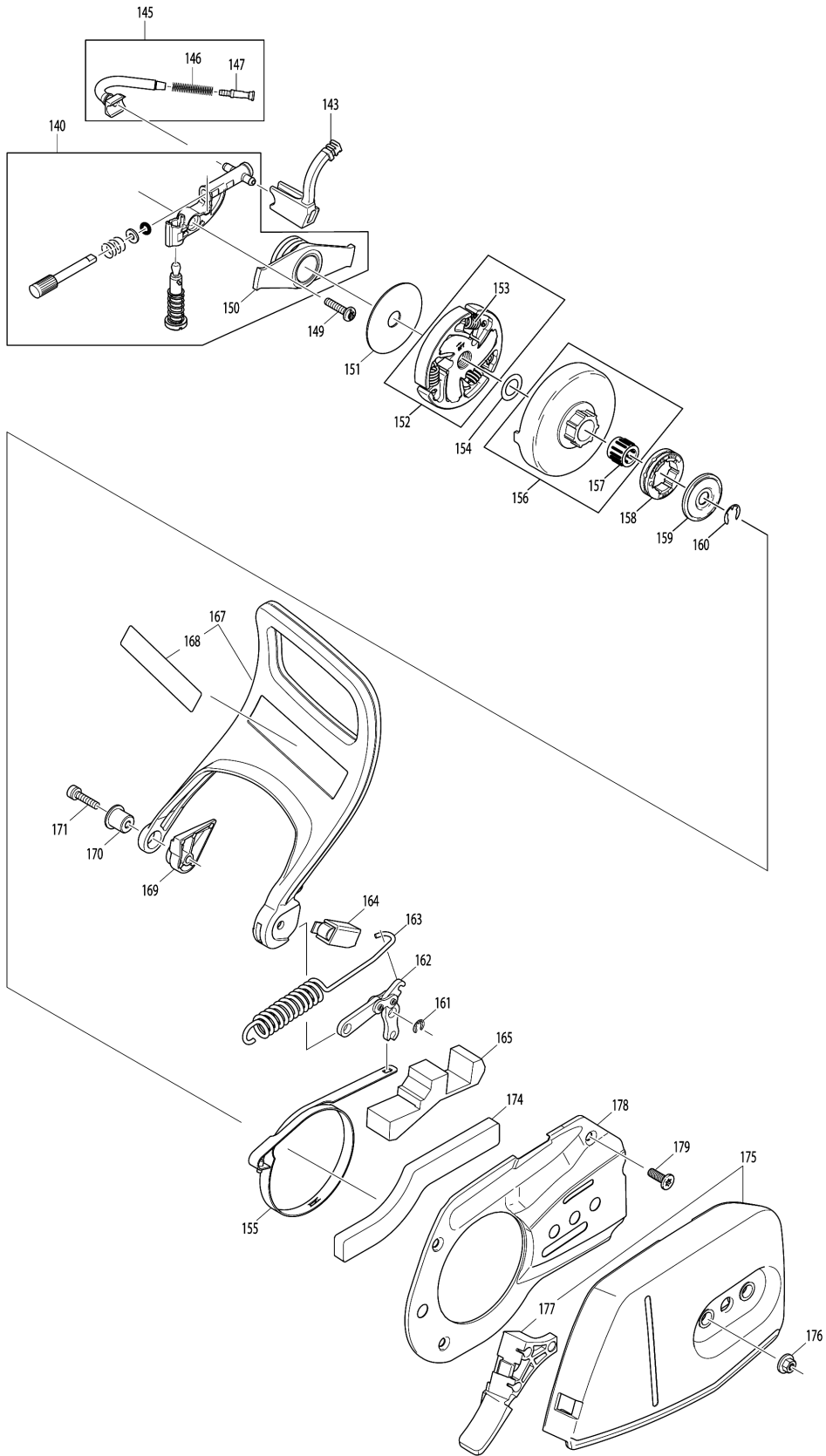
Model No.DCS5030 PETROL CHAINSAW



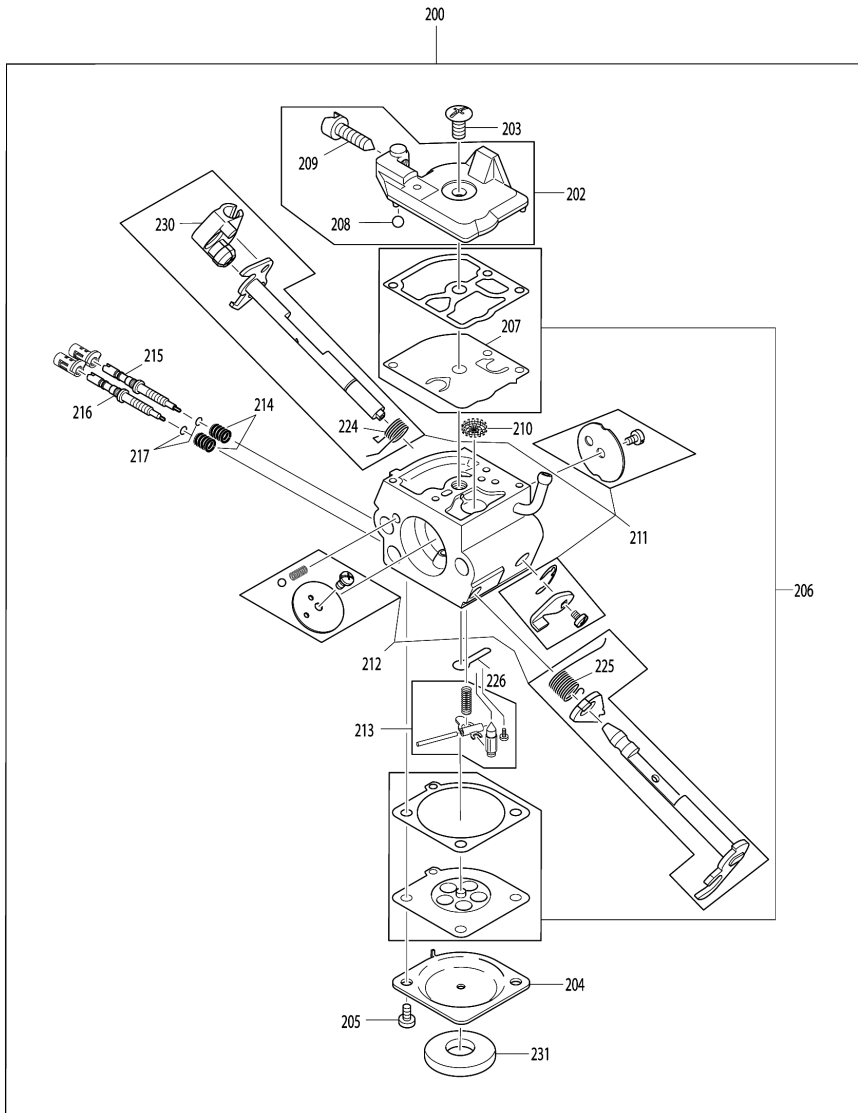
Model No.DCS5030 PETROL CHAINSAW



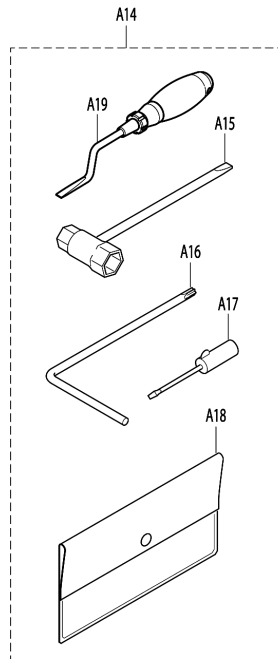
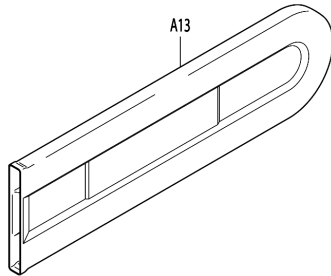
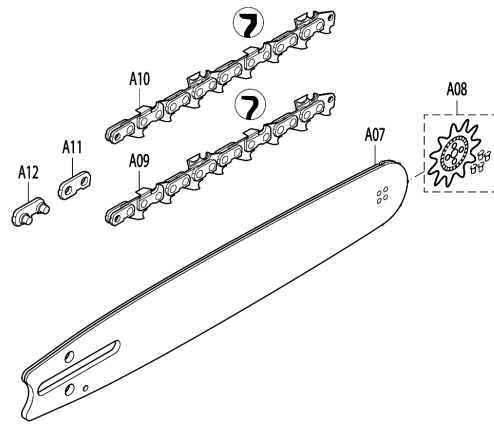
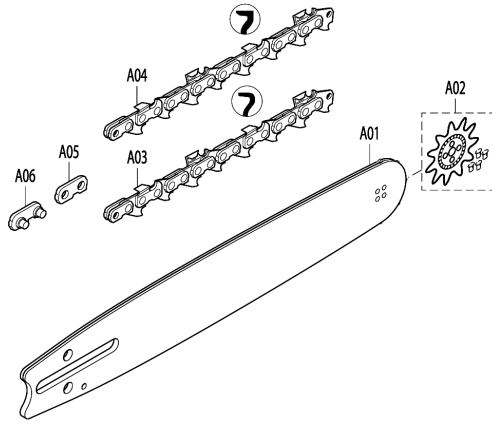
Model No.DCS5030 PETROL CHAINSAW



Model No.DCS5030 PETROL CHAINSAW



Model No.DCS5030 PETROL CHAINSAW



Model No.DCS5030 PETROL CHAINSAW

Item	Parts No.	Description	I/C	Qty	New/Old	Opt. 1	Opt. 2	Note
001	181114605	FUEL TANK ASSY BLUE		1				
D10		INC.2-12						
002	181117050	GRIP OUTER SHELL		1	*			
002-1	450851-5	GRIP OUTER SHELL	O	1				
003	181117132	CATCH LEVER		1				
004	181117031	SPRING		1				
005	181117081	ROCKER		1				
006	181117110	SPRING		1				
007	010117050	MODIFICATION SET		1				
D10		INC.30						
008	935930240	CYLINDRICAL PIN 3X24		1	*			
008-1	268233-5	PIN 3	O	1				
009	181117121	THROTTLE LEVER		1				
010	957114061	AIR VALVE CPL.		1				
011	913455204	H.L.TAPPING SCREW 5.5X20		1	*			
011-1	913455204	H.L.TAPPING SCREW 5.5X20	O	1	*			
011-2	266475-5	H.L.TAPPING SCREW 5.5X20	O	1				
012	181114065	FUEL LINE		1				
013	010114010	SUCTION HEAD(FUEL)		1	*			
D10		INC.14			*			
013-1	163499-1	SUCTION HEAD	O	1				
D10		INC.14						
014	010114020	REP.KIT, FILTER(FELT ELEMENT)		1	*			
015	181114202	TANK CAP CPL.		1	*			
D10		INC.16			*			
015-1	168507-3	TANK CAP COMPLETE	O	1				
D10		INC.16						
016	963229036	PACKING RING		1	*			
016-1	213080-9	O RING 29.5	O	1				
017	181114301	DAMPING SPRING, CPL.		1				
018	181114301	DAMPING SPRING, CPL.		1				
020	913455204	H.L.TAPPING SCREW 5.5X20		1	*			
020-1	913455204	H.L.TAPPING SCREW 5.5X20	O	1	*			
020-2	266475-5	H.L.TAPPING SCREW 5.5X20	O	1				
021	913455164	H.L. TAPPING SCREW 5.5X16		2	*			
021-1	266478-9	H.L.TAPPING SCREW 5.5X16	O	2				
022	181114652	HANDLE COVER MAKITA BLUE		1				
023	908006205	H.L. SOCKET HEAD BOLT M6X20		1	*			
023-1	266479-7	H.L. SOCKET HEAD BOLT M6X20	O	1				
024	913455204	H.L.TAPPING SCREW 5.5X20		1	*			
024-1	913455204	H.L.TAPPING SCREW 5.5X20	O	1	*			
024-2	266475-5	H.L.TAPPING SCREW 5.5X20	O	1				
025	181310250	TUBULAR HANDLE		1				
026	181118240	AIR FILTER ELEMENT COVER		1				

Please order the parts with part number.

Print Date 19/10/2023



Model No.DCS5030 PETROL CHAINSAW

Item	Parts No.	Description	I/C	Qty	New/Old	Opt. 1	Opt. 2	Note
D10		INC.27,70						
027	181118060	ANTI ICING PLATE SUMMER		1				
028	181173090	AIR FILTER ELEMENT NYLON MESH		1				
029	181171050	CLIP FOR AIR FILTER		1	*			
029-1	325593-9	CLIP	O	1				
030	010117050	MODIFICATION SET		1				
D10		INC.7						
031	908505555	H.L. SOCKET HEAD BOLT M5X55		2	*			
031-1	266480-2	H.L. SOCKET HEAD BOLT M5X55	O	2				
032	181155020	ENGINE STOP / CHOKE LEVER		1				
033	970311550	EARTH CABLE		1				
034	913455164	H.L. TAPPING SCREW 5.5X16		1	*			
034-1	266478-9	H.L.TAPPING SCREW 5.5X16	O	1				
036	181131680	CARBURETOR HOUSING ASSY BLUE		1				
037	908805205	H.L. SOCKET HEAD BOLT M5X20		4	*			
037-1	266472-1	TORX SOCKET HEAD BOLT M5X20	O	4				
040	181171160	INTAKE MANIFOLD SET		1				
D10		INC.41-42,44,63						
041	181131090	OIL RESISTANT HOSE		1				
042	181131040	INTAKE MANIFOLD		1	*			
042-1	181131041	INTAKE HOSE	O	1				
043	181118160	ANTI ICING PLATE WINTER		1				
044	181131070	RING SPRING		1	*			
044-1	233971-8	RING SPRING	O	1				
045	913455164	H.L. TAPPING SCREW 5.5X16		1	*			
045-1	266478-9	H.L.TAPPING SCREW 5.5X16	O	1				
046	181155060	CONTACT SPRING		1				
047	181155030	ADJUSTING GUIDE		1				
048	913455164	H.L. TAPPING SCREW 5.5X16		1	*			
048-1	266478-9	H.L.TAPPING SCREW 5.5X16	O	1				
049	928405000	SPRING WASHER 5		1	*			
049-1	928405000	SPRING WASHER 5	O	1	*			
049-2	267821-5	SPRING WASHER 5	O	1				
050	980114928	LABEL		1	*			
050-1	816917-5	INDICATION LABEL	O	1				
051	957173250	ANTI ICING SET		1				
D10		INC. 43,52						
052	181173250	ANTI ICING PRE-FILTER		1				
053	181174102	MUFFLER		1				
057	181174062	HEAT INSULATION PLATE		1				
058	181174050	MUFFLER GASKET		1				
059	908005205	H.L. SOCKET HEAD BOLT M5X20		2	*			

Please order the parts with part number.

Print Date 19/10/2023

Model No.DCS5030 PETROL CHAINSAW

Item	Parts No.	Description	I/C	Qty	New/Old	Opt. 1	Opt. 2	Note
059-1	266476-3	H.L. SOCKET HEAD BOLT M5X20	O	2				
060	181174091	MUFFLER COVER		1				
061	909005105	H.L. SOCKET HEAD BOLT M5X10		2	*			
061-1	266612-1	H.L. SOCKET HEAD BOLT M5X10	O	2				
062	908805205	H.L. SOCKET HEAD BOLT M5X20		1	*			
062-1	266472-1	TORX SOCKET HEAD BOLT M5X20	O	1				
063	181131021	INSERT		1	*			
063-1	185131020	INSERT	O	1	*			
063-2	346413-4	BUSH 17	O	1				
065	181130217	CYLINDER 45 & PISTON SET		1				
D10		INC. 66,74						
066	181132063	PISTON CPL.		1	*			
D10		INC. 67-69			*			
066-1	181132064	PISTON, PISTON RING & PIN SET	O	1				
D10		INC. 67-69						
067	181132080	PISTON RING 45MM		1				
068	181132090	PISTON PIN		1				
069	181132050	CIRCLIP 10		2	*			
069-1	181132050	CIRCLIP 10	O	2				
070	181118070	RUBBER DAMPING PLUG		2	*			
070-1	424173-9	DAMPING PLUG	O	2				
072	908805235	H.L. SOCKET HEAD BOLT M5X23		4	*			
072-1	266473-9	H.L. SOCKET HEAD BOLT M5X23	O	4				
073	181114401	DAMPING SPRING,CPL.		1				
074	181131132	GASKET		1	*			
074-1	181131133	CYLINDER GASKET	O	1	*			
074-2	181131134	CYLINDER GASKET	O	1				
075	181120100	CRANKSHAFT CPL.		1				
076	962210033	NEEDLE CAGE		1	*			
076-1	962210103	NEEDLE CAGE	O	1				
077	960102159	BALL BAERING 6202		1				
078	960123159	BALL BEARING 6202		1	*			
078-1	211250-4	BALL BEARING 1514	O	1				
079	962900156	OIL SEAL		1	*			
079-1	213141-5	OIL SEAL 12	O	1				
080	181111655	CRANKCASE ASSY LEFT BLUE		1				
D10		INC. 77						
081	181111642	CRANKCASE ASSY RIGHT BLUE		1				
D10		INC. 78,99			*			
D11		INC. 78						
082	181111060	GASKET		1	*			

Please order the parts with part number.

Print Date 19/10/2023

Model No.DCS5030 PETROL CHAINSAW

Item	Parts No.	Description	I/C	Qty	New/Old	Opt. 1	Opt. 2	Note
082-1	181111061	CRANKCASE GASKET	<	1				
083	170114100	TANK CAP COMPLETE		1	*			
D10		INC. 84			*			
083-1	168508-1	TANK CAP COMPLETE	O	1				
D10		INC. 84						
084	963225030	O RING		1	*			
084-1	213355-6	O-RING 25	O	1				
085	181118050	STEELCLIP		3				
086	908006205	H.L. SOCKET HEAD BOLT M6X20		1	*			
086-1	266479-7	H.L. SOCKET HEAD BOLT M6X20	O	1				
087	908805205	H.L. SOCKET HEAD BOLT M5X20		1	*			
087-1	266472-1	TORX SOCKET HEAD BOLT M5X20	O	1				
088	181111230	RUBBER BUFFER		1				
089	936430160	PIN 3X16		2	*			
089-1	258038-1	CLAMPING PIN	O	2				
090	181111230	RUBBER BUFFER		1				
091	908805205	H.L. SOCKET HEAD BOLT M5X20		1	*			
091-1	266472-1	TORX SOCKET HEAD BOLT M5X20	O	1				
092	908005205	H.L. SOCKET HEAD BOLT M5X20		6	*			
092-1	266476-3	H.L. SOCKET HEAD BOLT M5X20	O	6				
093	181111050	CHAIN CATCH		1	*			
093-1	181111051	CHAIN CATCH	O	1				
094	908006205	H.L. SOCKET HEAD BOLT M6X20		1	*			
094-1	266479-7	H.L. SOCKET HEAD BOLT M6X20	O	1				
095	905808210	GUIDE BAR BOLT M8X21		2				
096	181250011	SPIKE BAR		1				
097	908805205	H.L. SOCKET HEAD BOLT M5X20		2	*			
097-1	266472-1	TORX SOCKET HEAD BOLT M5X20	O	2				
098	010245030	VENT VALVE		1	*			
098-1	168504-9	VENT VALVE	O	1				
099	962900065	OIL SEAL		1	*			
100	181213300	CHAIN TENSIONER CPL.		1				
D10		INC. 101-106						
101	181213230	TESIONING SCREW		1	*			
101-1	227743-1	HELICAL GEAR 11	O	1				
102	181213240	TENSION SLIDE		1	*			
102-1	181213241	TENSION SLIDE	O	1				
103	181213250	ADJUSTING SCREW		1	*			
103-1	227744-9	HELICAL GEAR 18	O	1				
104	181213270	TRANSMISSION COVER		1	*			
104-1	185213270	TRANSMISSION COVER	O	1	*			

Please order the parts with part number.

Print Date 19/10/2023

Model No.DCS5030 PETROL CHAINSAW

Item	Parts No.	Description	I/C	Qty	New/Old	Opt. 1	Opt. 2	Note
104-2	452667-4	GEAR COVER PROFESSIONAL	O	1				
105	181213260	TENSIONING SCREW BEARING		1				
106	963207020	O RING		1				
107	908705125	H.L. SOCKET HEAD BOLT M5X12		1	*			
107-1	266484-4	H.L SOCKET HEAD BOLT M5X12	O	1				
112	181131140	RUBBER BUSH		1				
117	980115501	LABEL		1				
122	928405000	SPRING WASHER 5		1	*			
122-1	928405000	SPRING WASHER 5	O	1	*			
122-2	267821-5	SPRING WASHER 5	O	1				
128	181143211	IGNITI.COIL,CPL.BLACK		1	*			
D10		INC. 129,131-132			*			
128-1	181143212	IGNITION COIL COMPLETE	O	1	*			
D10		INC. 129,131-132			*			
128-2	181143213	IGNITION COIL COMPLETE	O	1	*			
D10		INC. 129,131-132			*			
128-3	181143214	IGNITION COIL COMPLETE	O	1				
D10		INC. 129,131-132						
129	181147050	IGNITION CABLE		1				
130	195143030	ISOLATING WASHER		2	*			
130-1	195143031	ISOLATION WASHER	O	2	*			
130-2	451462-9	ISOLATING WASHER	O	2				
131	970502110	INSULATING TUBE 6 L=1M		1	*			
131-1	970502120	INSULATING TUBE	O	1				
132	957604260	PLUG CAP COMPLETE		1				
133	965603021	SPARK PLUG BPMR7A		1	*			
133-1	168648-5	SPARK PLUG (BPMR7A)	O	1				
134	908805205	H.L. SOCKET HEAD BOLT M5X20		2	*			
134-1	266472-1	TORX SOCKET HEAD BOLT M5X20	O	2				
135	920308024	HEX. NUT M8X1 (FINE THREAD)		1	*			
135-1	264022-6	HEX. NUT M8X1	O	1				
136	926208001	SPRING WASHER 8		1	*			
136-1	267822-3	SPRING WASHER 8	O	1				
140	181245251	OIL PUMP CPL.		1				
D10		INC. 150						
143	181245120	OIL LINE		1	*			
143-1	424178-9	OIL TUBE	O	1				
145	181245100	OIL LINE CPL.		1				
D10		INC. 146-147						
146	021245060	PRESSURE SPRING		1	*			
146-1	231975-4	SPRING	O	1				
147	001245020	HOSE STEM		1				
149	908705125	H.L. SOCKET HEAD BOLT M5X12		1	*			

Please order the parts with part number.

Print Date 19/10/2023

Model No.DCS5030 PETROL CHAINSAW

Item	Parts No.	Description	I/C	Qty	New/Old	Opt. 1	Opt. 2	Note
149-1	266484-4	H.L SOCKET HEAD BOLT M5X12	O	1				
150	181245090	PUMP DRIVE		1	*			
150-1	450956-1	PUMP DRIVE	O	1				
151	001182042	DISC		1	*			
151-1	267389-1	FLAT WASHER 12	O	1				
152	181180200	CLUTCH ASSY.		1	*			
D10		INC. 153			*			
152-1	168510-4	CLUTCH COMPLETE	O	1				
D10		INC. 153						
153	181184010	SPRING		3	*			
153-1	231860-1	TENSION SPRING 7	O	3				
154	181224090	FLAT WASHER 10		1	*			
154-1	181224090	FLAT WASHER 10	O	1				
155	181213011	BRAKE BAND		1	*			
155-1	346029-5	BRAKE BAND	O	1				
156	181223062	CLUTCH DRUM CPL.		1	*			
D10		INC. 157			*			
156-1	181223200	CLUTCH DRUM COMPLETE	O	1	*			
D10		INC. 157			*			
156-2	144765-5	CLUTCH DRUM COMPLETE	O	1				
D10		INC. 157						
157	962300009	NEEDLE BEARING		1	*			
157-1	212082-2	NEEDLE BEARING 1012	O	1				
158	026224010	RIM SPROCKET 3/8" SM7-7		1				
158A_	181224040	RIM SPROCKET .325" SM7-7		1				
159	181224081	WASHER 29		1	*			
159-1	267820-7	WASHER 29	O	1				
160	927408000	STOP RING E-8		1	*			
160-1	259045-7	STOP RING E-8	O	1				
161	927304000	STOP RING E-4		1	*			
161-1	257934-0	STOP RING E-4	O	1				
162	181213100	BRAKING MECHANISM		1	*			
162-1	163500-2	LINK PLATE COMPLETE	O	1				
163	181213022	TENSION SPRING		1	*			
163-1	231870-8	TENSION SPRING 10	O	1				
164	181213170	HANDGUARD GUIDE,CPL.		1	*			
164-1	450926-0	STOPPER CASE	O	1				
165	181213371	FOAM SPONGE		1				
167	181213161	HAND GUARD CPL.		1	*			
167-1	181213162	HAND GUARD CPL.	O	1	*			
167-2	181213163	HAND GUARD CPL.	O	1				
168	980114237	LABEL		1				
169	181213310	SPACER		1				
170	181213320	BUSHING		1	*			
170-1	325604-0	BUSH	O	1				

Please order the parts with part number.

Print Date 19/10/2023

Model No.DCS5030 PETROL CHAINSAW

Item	Parts No.	Description	I/C	Qty	New/Old	Opt. 1	Opt. 2	Note
171	908805205	H.L. SOCKET HEAD BOLT M5X20		1	*			
171-1	266472-1	TORX SOCKET HEAD BOLT M5X20	O	1				
174	181213400	FOAM SPONGE		1				
175	957213600	SPROCKET GUARD COMPLETE BLUE		1				
D10		INC. 177						
176	923208004	HEX. FLANGE NUT M8(BAR NUT)		2	*			
176-1	252145-2	COLLARED HEX NUT M8	O	2				
177	957213220	CHIP GUIDE		1				
178	181213191	COVER		1				
179	908105126	H.L.S. FLAT HEAD BOLT M5X12		3	*			
179-1	266477-1	H.L. C.S. HEAD SCREW M5X12	O	3				
182	181160670	STARTER ASSY. BLUE		1	*			
D10		INC. 122,183-192			*			
182-1	123562-2	STARTING DEVICE BLUE CPL.	O	1				
D10		INC. 122,183-192						
183	181112660	STARTER HOUSING BLUE		1				
184	181118120	AIR GUIDE PLATE		1	*			
184-1	456685-4	AIR GUIDE PLATE	O	1				
185	181164010	STARTER GRIP		1	*			
185-1	452458-3	STARTER GRIP	O	1				
186	908605205	H.L. SOCKET HEAD BOLT M5X20		4	*			
186-1	266942-0	H.L. SOCKET HEAD BOLT M5X20	O	4				
187	181163050	REWIND SPRING IN HOUSING		1	*			
187-1	140587-1	REWIND SPRING COMPLETE	O	1				
188	181162020	CABLE DRUM		1	*			
188-1	452224-8	CABLE DRUM	O	1				
189	181163080	SPRING EASY-START		1	*			
189-1	234193-3	SPRING EASY START	O	1				
190	181163090	STARTER WHEEL		1	*			
190-1	452227-2	DRIVER EASY START	O	1				
191	181163095	STEPPED TAPPING SCREW 5X16.5		1	*			
191-1	266616-3	SCREW	O	1				
192	985000155	STARTER ROPE 3.5MM L=100M		1				
194	195141103	FLYWHEEL CPL.		1	*			
D10		INC. 195			*			
194-1	181141105	FLYWHEEL CPL.	O	1	*			
D10		INC. 195			*			
194-2	143331-5	FLYWHEEL COMPLETE	O	1	*			
D10		INC. 195			*			
194-3	158867-1	FLYWHEEL COMPLETE	<	1				
D10		INC. 195						
195	195166100	STARTER RATCHET CPL.		1	*			

Please order the parts with part number.

Print Date 19/10/2023

Model No.DCS5030 PETROL CHAINSAW

Item	Parts No.	Description	I/C	Qty	New/Old	Opt. 1	Opt. 2	Note
195-1	185166100	STARTER RATCHET SET(2PCS EACH)	O	1	*			
195-2	185166100	STARTER RATCHET SET(2PCS EACH)	<	2				
200	181153100	CARBURETOR		1	*			
D10		INC. 202-206,210-213,226,231			*			
200-1	181153101	CARBURETOR (NON REGULATED)	O	1				
D10		INC. 202-206,210-213,226,231						
202	181153030	PUMP COVER		1				
D10		INC. 208-209						
203	038153360	SCREW		1				
204	181153040	DIAPHRAGM COVER		1				
205	001153020	SCREW		2				
206	181153020	SET DAIPHRAGM/GASKETS		1				
D10		INC. 207						
207	181153060	PUMP DIAPHRAGM RUBBER		1				
208	038153210	LOCKING BALL		1				
209	181153070	IDLE STOP SCREW		1				
210	036153040	SCREEN		1				
211	957153090	KIT THROTTLE SHAFT		1				
D10		INC. 224,230						
212	957153080	KIT CHOKE SHAFT		1				
D10		INC. 225						
213	957153070	CONTROL PARTS		1				
214	028153480	SPRING		2				
215	181153180	IDLE ADJUSTMENT SCREW		1				
216	181153190	MAIN ADJUSTMENT SCREW		1				
217	181153220	WASHER		2				
224	181153110	SPRING		1				
225	181153160	SPRING		1				
226	181153210	PLUG-WELCH		1				
230	038155012	RETAINING CLIP		1				
231	965402995	GASKET		1				
A01	445045631	GUIDE BAR STD 18".325".058" M		1	*			
A01-1	161502-2	GUIDE BAR 18	O	1				
A01A_	445038631	GUIDE BAR STD 15".325".058" M		1	*			
A01A1	162827-7	GUIDE BAR 15	O	1				
A01B_	445033631	GUIDE BAR STD 13".325".058" M		1	*			
A01B1	162826-9	GUIDE BAR 13	O	1				
A02	415325710	NOSE SPROCKET RP.KIT .325".058		1				
A03	528086672	SAW CHAIN .325" .058" L72 MC M		1				
A03A_	528086664	SAW CHAIN .325" .058" L64 MC M		1				
A03B_	528086656	SAW CHAIN .325" .058" L56 MC M		1				

Please order the parts with part number.

Print Date 19/10/2023

Model No.DCS5030 PETROL CHAINSAW

Item	Parts No.	Description	I/C	Qty	New/Old	Opt. 1	Opt. 2	Note
A04	534686072	SAW CHAIN .325" .058" L72 FC M		1				
A04A_	534686064	SAW CHAIN .325" .058" L64 FC M		1				
A04B_	534686056	SAW CHAIN .325" .058" L56 FC M		1				
A05	558083000	TIE STRAP .325" 1.5MM/.058"		1				
A06	558083010	TIE STRAP WITH RIVETS.325".058		1				
A07	443038651	GUIDE BAR STD 15"3/8".058" M		1	*			
A07-1	162831-6	GUIDE BAR 15	O	1				
A07A_	443045651	GUIDE BAR STD 18"3/8".058" M		1	*			
A07A1	445045651	GUIDE BAR STD 18"3/8".058" M	O	1	*			
A07A2	162832-4	GUIDE BAR 18	O	1				
A07B_	443053651	SPROCKET NOSE BAR 21"		1	*			
A07B1	445050651	GUIDE BAR STD 20"3/8".058 M	O	1	*			
A07B2	162833-2	GUIDE BAR 20	O	1				
A08	415038720	NOSE SPROCKET RP.KIT 3/8".058"		1				
A09	523093672	SAW CHAIN 3/8" .058" L72 SC M		1				
A09A_	523093664	SAW CHAIN 3/8" .058" L64 SC M		1				
A09B_	523093656	SAW CHAIN 3/8" .058" L56 SC M		1				
A10	528099672	SAW CHAIN 3/8 .058 L72 FC M		1				
A10A_	528099664	SAW CHAIN 3/8" .058" L64 FC MB		1				
A10B_	528099656	SAW CHAIN 3/8" .058" L56 FC MB		1				
A11	558093000	TIE STRAP 3/8" 1.5MM/.058		1				
A12	558093010	TIE STRAP WITH RIVETS 3/8 .058		1				
A13	952010130	BAR COVER 13"/33CM DOLMAR		1	*			
A13-1	456447-0	CHAIN COVER	O	1				
A13A_	952020640	BAR COVER 14-17"35-43CM MAKITA		1				
A13B_	952020650	BAR COVER 18-20"45-50CM MAKITA		1				
A13C_	952010630	CHAIN PROTECTION		1				
A14	957004011	TOOL CPL.		1				
D10		INC. A15-A19						
A15	941719131	UNIVERSAL WRENCH		1	*			
A15-1	941719133	UNIVERSAL WRENCH 13/19	O	1	*			
A15-2	782033-4	UNIVERSAL WRENCH 13/19	O	1				
A16	940827000	HEXALOBULAR ANGLED DRIVER T27		1	*			
A16-1	782025-3	HEXALOBULAR WRENCH 27	O	1				
A17	944340001	SCREW DRIVER		1	*			
A17-1	783012-5	SCREWDRIVER	O	1				
A18	950004002	PLASTIC BAG		1	*			

Please order the parts with part number.

Print Date 19/10/2023



Model No.DCS5030 PETROL CHAINSAW

Item	Parts No.	Description	I/C	Qty	New/Old	Opt. 1	Opt. 2	Note
A18-1	831340-3	TOOL BAG	O	1				
A19	944500795	CYLINDER FIN CLEANER		1				

Please order the parts with part number.

Print Date 19/10/2023