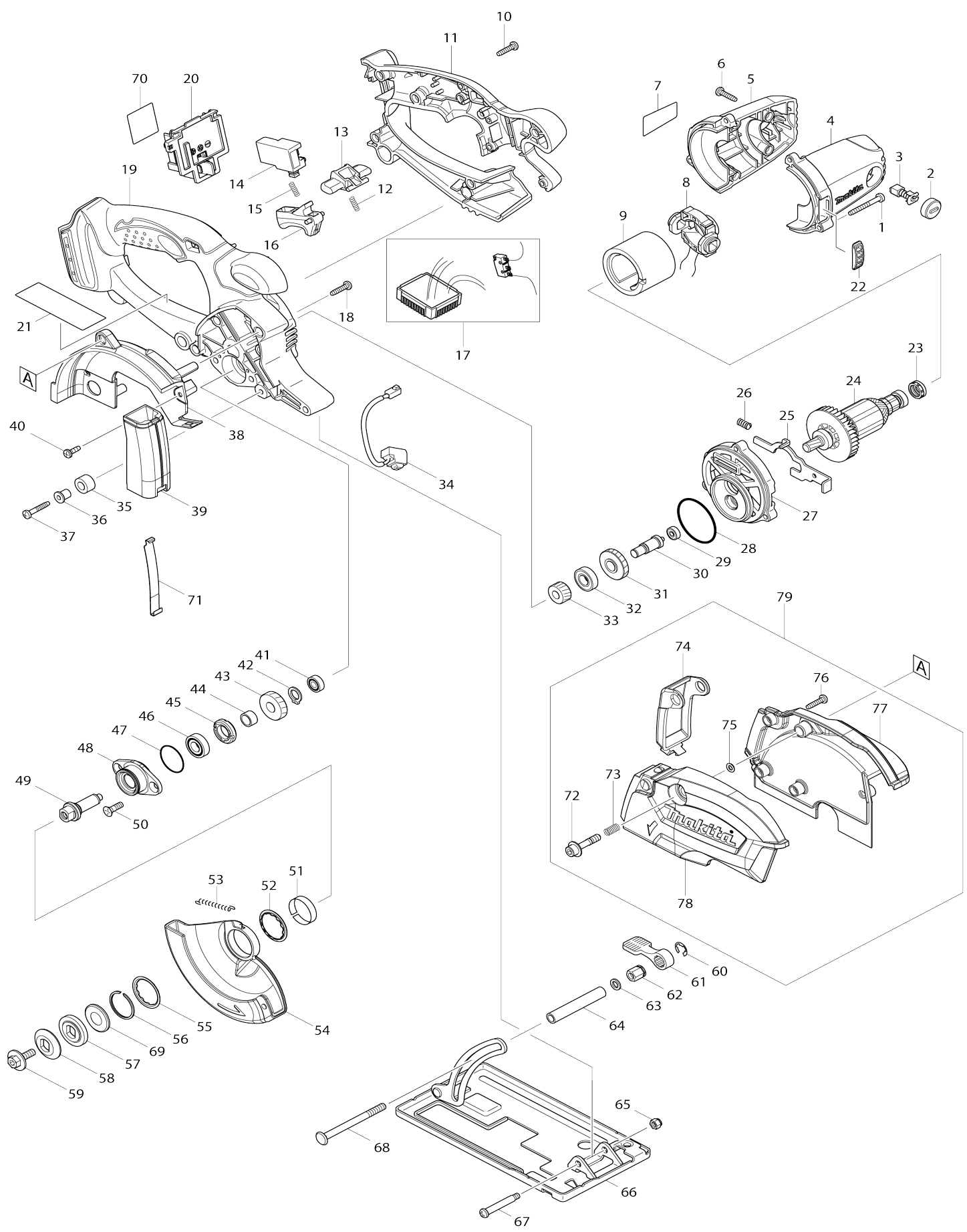


# Model No.DCS552 136MM CORDLESS METAL CUTTER



Model No.DCS552 136MM CORDLESS METAL CUTTER

Item No.	Parts No.	Description	Interchangability	Q'ty	New/Old	Note1	Note2
001	266053-1	TAPPING SCREW 4X35		3			
002	643807-7	BRUSH HOLDER CAP		2			
003	191971-3	CARBON BRUSH CB-430		1			
004	188209-5	HOUSING SET		1			
D10		INC. 5					
005	188209-5	HOUSING SET		1			
D10		INC. 4					
006	265995-6	TAPPING SCREW 4X18		4			
007	854586-8	DCS552 NAME PLATE		1			
008	638925-4	ENDBELL COMPLETE		1			
009	638420-4	YOKE UNIT		1			
010	265995-6	TAPPING SCREW 4X18		8			
011	453426-9	HANDLE L		1	*		
011-1	140F58-4	HANDLE L COMPLETE	S	1			
012	231469-9	COMPRESSION SPRING 4		1			
013	419664-3	LOCK OFF LEVER		1			
014	651956-6	SWITCH TG72BD		1			
015	231469-9	COMPRESSION SPRING 4		1			
016	419665-1	SWITCH LEVER		1			
017	620260-4	CONTROLLER		1	*		
017-1	620G70-1	CONTROLLER	<	1			
018	265995-6	TAPPING SCREW 4X18		3			
019	453154-6	HANDLE R		1	*		
019-1	140F53-4	HANDLE R COMPLETE	S	1			
020	644808-8	TERMINAL		1			
022	419609-1	FAN GUARD		1			
023	421977-0	RUBBER RING 13		1			
024	619290-0	ARMATURE		1			
025	345643-4	SHAFT LOCK		1			
026	233117-6	COMPRESSION SPRING 6		1			
027	419656-2	GEAR HOUSING		1			
028	213560-5	O RING 44		1			
029	210036-3	BALL BEARING 604ZZ		1			
030	324729-7	GEAR SHAFT		1			
031	227752-0	HELICAL GEAR 27		1			
032	210080-0	BALL BEARING 6900ZZ		1			
033	226635-1	HELICAL GEAR 15		1			
034	631550-0	LED CIRCUIT		1			
035	262566-0	RUBBER SLEEVE 6		1			
036	262563-6	SLEEVE 4		1			
037	265999-8	TAPPING SCREW 4X25		1			
038	458647-8	BLADE CASE		1			
039	458648-6	BLADE COVER		1			
040	265995-6	TAPPING SCREW 4X18		1			
041	210006-2	BALL BEARING 696ZZ		1			
042	961006-2	RETAINING RING S-10		1			
043	226640-8	HELICAL GEAR 23		1			

044	257760-7	SLEEVE 10		1		
045	285847-5	BEARING RETAINER 14-23		1		
046	210069-8	BALL BEARING 6900DDW		1		
047	213435-8	O RING 26		1		
048	318087-1	BEARING BOX		1		
049	324730-2	SPINDLE		1		
050	265034-2	+ COUNTERSUNK HEAD SCREW M5X16		2		
051	345470-9	THICKNESS RING		1		
052	345739-1	SPACER		1		
053	231792-2	TENSION SPRING 3		1		
054	140C85-3	SAFETY COVER COMPLETE		1		
055	345739-1	SPACER		1		
056	257938-2	RETAINING RING(EXT) WR-26		1		
057	224391-7	INNER FLANGE 30		1		
058	224404-4	OUTER FLANGE 30		1		
059	266458-5	HEX.SOCKET HEX.BOLT M6X18		1		
060	961014-3	STOP RING E-8		1		
061	272229-0	LEVER 40		1		
062	252159-1	HEX. NUT M6		1		
063	941151-9	FLAT WASHER 6		1		
064	331733-9	PIPE 6		1		
065	252103-8	HEX. LOCK NUT M5-8		1		
066	163471-3	BASE		1		
067	265056-2	+ PAN HEAD SCREW M5		1		
068	266405-6	FLAT H.SQUARE NECK BOLT M6X 75		1		
069	267802-9	CUP WASHER 13		1		
070	854592-3	DCS552 SERIAL NO. LABEL		1		
071	347416-1	PLATE		1		
072	265676-2	H.S.H.B M6X29		1		
073	233267-7	COMPRESSION SPRING 7		1		
074	458652-5	DUST CAP		1		
075	213005-3	O RING 5		1		
076	265995-6	TAPPING SCREW 4X18		4		
077	458649-4	DUST BOX L		1	*	
077-1	183K33-7	DUST BOX SET	<	1		
D10		INC. 078				
078	458650-9	DUST BOX R		1	*	
078-1	183K33-7	DUST BOX SET	<	1		
D10		INC. 077				
079	127016-1	DUST BOX ASSEMBLY		1	*	
D10		INC. 72-78				
079-1	136023-3	DUST BOX ASSEMBLY	O	1		
D10		INC. 72-78				
A01	192219-6	SAFETY GOGGLE		1	*	
A02	783203-8	HEX. WRENCH 5		1		
A07	B-07319	T.C.T.SAW BLADE 136X20X30T		1		
E01	688131-1	LINE FILTER		1	*	
E01-1	688131-1	LINE FILTER	O	1		
E02	688161-2	LINE FILTER		1		

Please state Parts No. when your order.

Print Date 12/04/2023