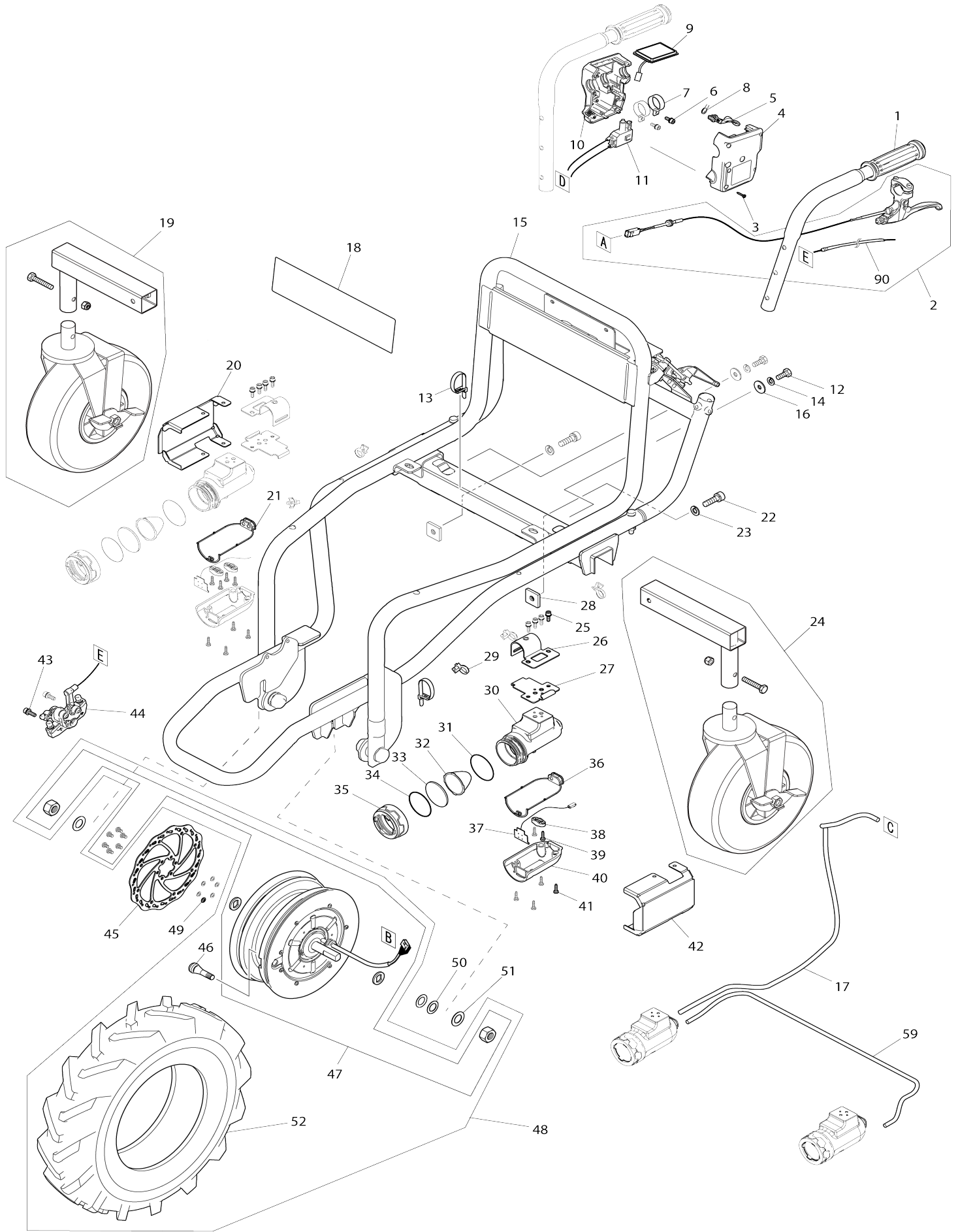
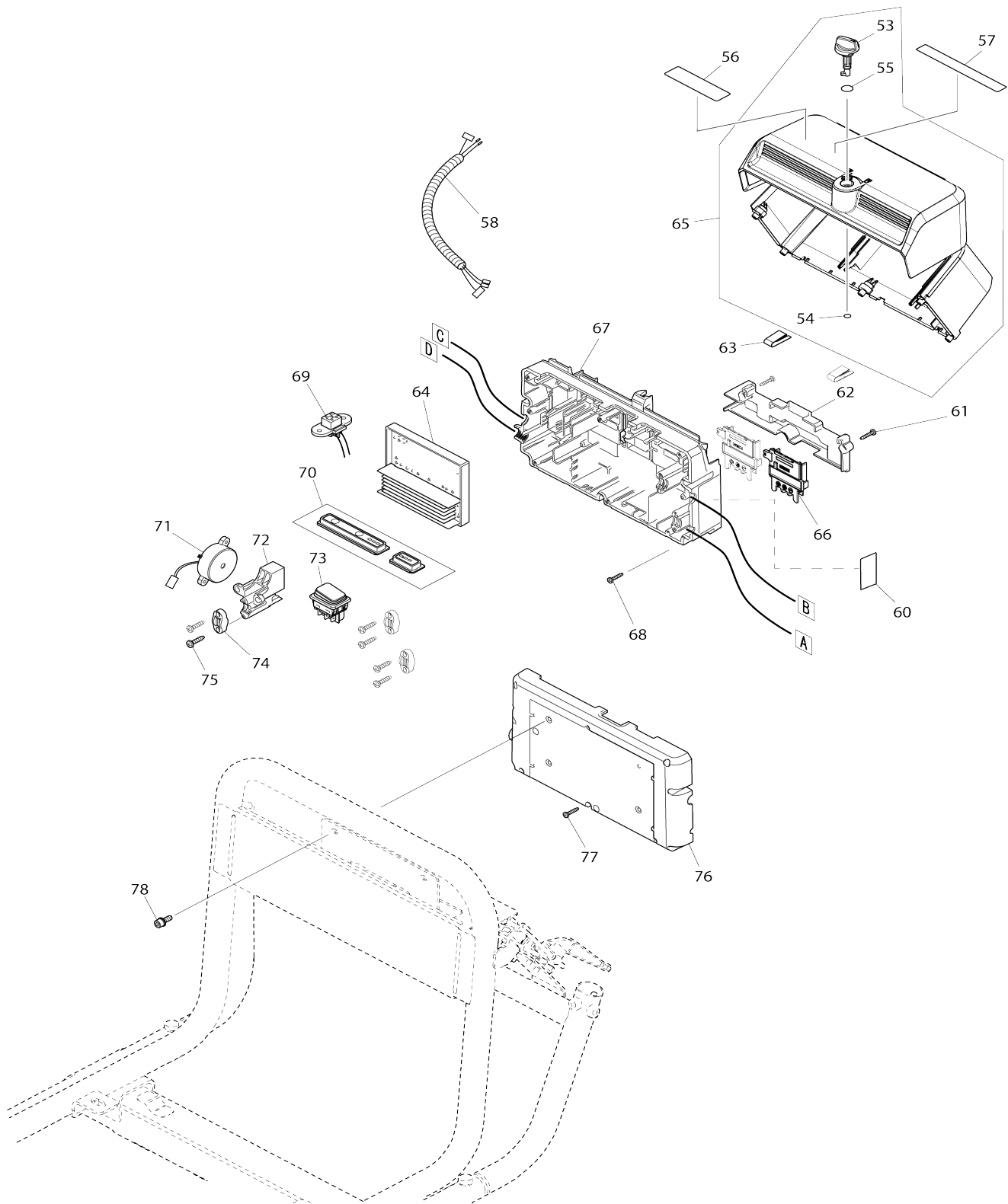
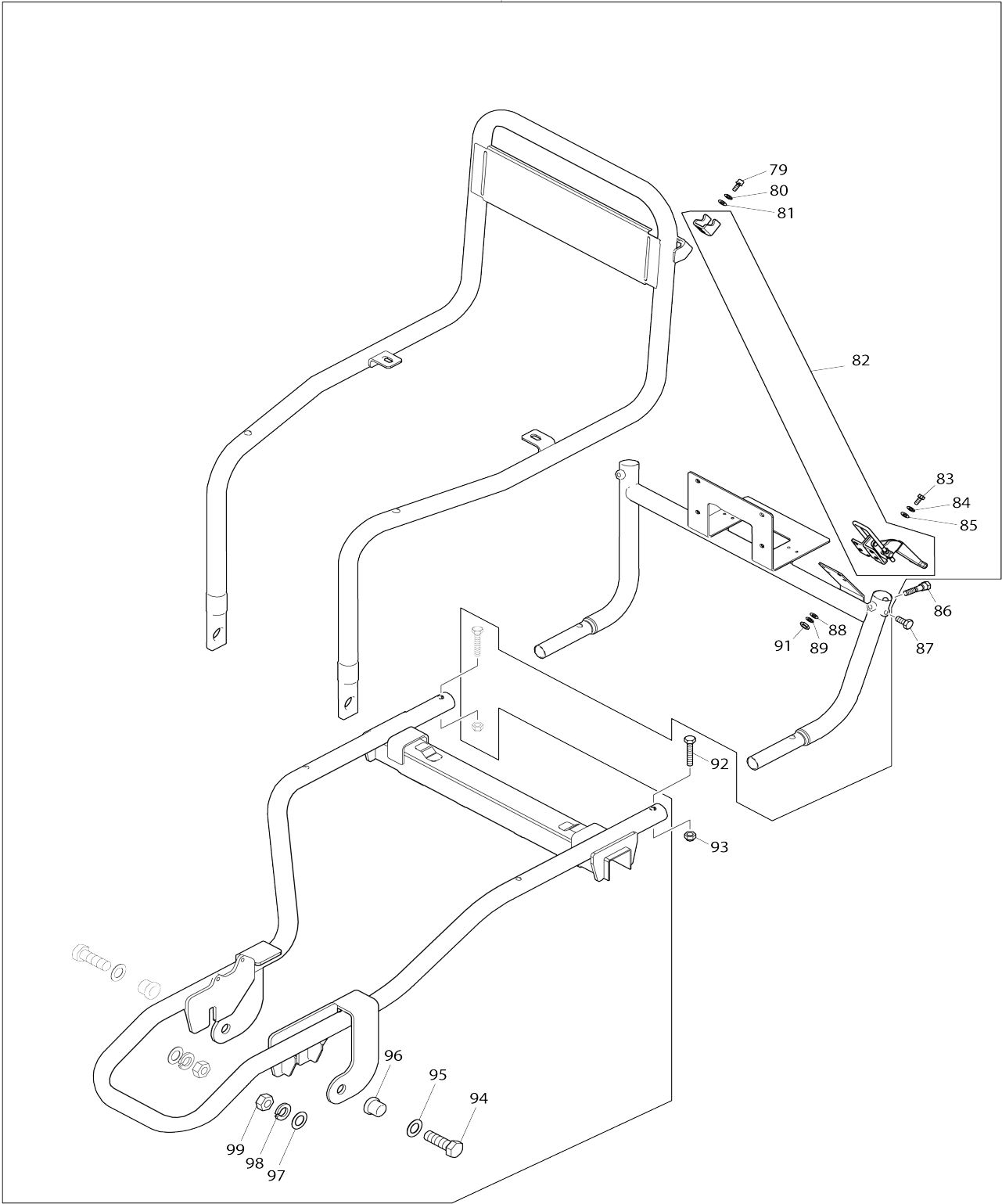


Model No.DCU180 BATTERY POWERED WHEELBARROW



Model No.DCU180 BATTERY POWERED WHEELBARROW





Model No.DCU180 BATTERY POWERED WHEELBARROW

Item No.	Parts No.	Description	Interchangability	Q'ty	New/Old	Note1	Note2
001	161640-0	HANDLE COMPLETE		2			
002	161648-4	BRAKE ASSEMBLY		1			
D10		INC. 90					
003	266130-9	TAPPING SCREW BIND PT 3X16		5			
004	183H15-1	SWITCH BOX SET		1	*		
C10	813J54-6	CAUTION LABEL		1	*		
D10		INC. 10					
004-1	183H15-1	SWITCH BOX SET	<	1			
C10	813J54-6	CAUTION LABEL		1			
D10		INC. 10					
005	457633-6	SWITCH LEVER		1			
006	922223-9	H.S.H.BOLT M5X16 WITH WR		2	*		
006-1	265A97-4	H.S.H.BOLT M5X16 WITH WR	<	2			
007	346249-1	PIPE CLAMP 28		2			
008	233540-5	TORSION SPRING 11		1			
009	144521-3	SWITCH PLATE COMPLETE		1			
C10	812S78-3	SWITCH LABEL		1			
010	183H15-1	SWITCH BOX SET		1	*		
C10	813J54-6	CAUTION LABEL		1	*		
D10		INC. 4					
010-1	183H15-1	SWITCH BOX SET	<	1			
C10	813J54-6	CAUTION LABEL		1			
D10		INC. 4					
011	650781-2	SWITCH C3JW-6B-P		1			
012	251595-8	HEX.BOLT M8X20		2			
013	687410-4	BAND		2			
014	942201-3	SPRING WASHER 8		2			
015	126589-1	FRAME ASSEMBLY		1	*		
D10		INC. 79-89,91-99					
015-1	126905-7	FRAME ASSEMBLY	S	1	*		
D10		INC. 79-89,91-99					
D11		INC. 79-85,88,89,91,94-99					
015-2	126905-7	FRAME ASSEMBLY	O	1			
D11		INC. 79-85,88,89,91,94-99					
016	253852-0	FLAT WASHER 8		2			
017	699095-4	POWER SUPPLY CORD UNIT		1			
018	812S79-1	MAKITA LOGO LABEL		1			
019	126893-8	REAR TIRE R ASSEMBLY		1	*		
C10	161639-5	JOINT		1	*		
C20	161868-0	TIRE 260 WITH STOPPER		1	*		
C30	921467-8	HEX. BOLT M8X45		1	*		
C40	252105-4	HEX. LOCK NUT M8-13		1	*		
019-1	127092-5	REARTIRE ASSEMBLY WITH STOPPER	O	1	*		
C10	161836-3	JOINT		1	*		
C20	161868-0	TIRE 260 WITH STOPPER		1	*		
C30	921467-8	HEX. BOLT M8X45		1	*		
C40	252105-4	HEX. LOCK NUT M8-13		1	*		

019-2	127092-5	REARTIRE ASSEMBLY WITH STOP PER	O	1			
C10	161836-3	JOINT		1			
C20	161868-0	TIRE 260 WITH STOPPER		1			
C30	921467-8	HEX. BOLT M8X45		1			
C40	252105-4	HEX. LOCK NUT M8-13		1			
020	347278-7	GUARD R		1			
021	422151-3	PACKING		1			
022	266240-2	HEX. SOCKET HEAD BOLT M10X25		2	*		
023	941251-5	FLAT WASHER 10		2	*		
024	126837-8	REAR TIRE L ASSEMBLY		1	*		
C10	161663-8	JOINT L		1	*		
C20	161868-0	TIRE 260 WITH STOPPER		1	*		
C30	921467-8	HEX. BOLT M8X45		1	*		
C40	252105-4	HEX. LOCK NUT M8-13		1	*		
024-1	127092-5	REARTIRE ASSEMBLY WITH STOP PER	O	1	*		
C10	161836-3	JOINT		1	*		
C20	161868-0	TIRE 260 WITH STOPPER		1	*		
C30	921467-8	HEX. BOLT M8X45		1	*		
C40	252105-4	HEX. LOCK NUT M8-13		1	*		
024-2	127092-5	REARTIRE ASSEMBLY WITH STOP PER	O	1			
C10	161836-3	JOINT		1			
C20	161868-0	TIRE 260 WITH STOPPER		1			
C30	921467-8	HEX. BOLT M8X45		1			
C40	252105-4	HEX. LOCK NUT M8-13		1			
025	922223-9	H.S.H.BOLT M5X16 WITH WR		8	*		
025-1	265A97-4	H.S.H.BOLT M5X16 WITH WR	<	8			
026	347238-9	CLAMP A		2			
027	347239-7	CLAMP B		2			
028	347394-5	PLATE		2	*		
029	687849-1	BAND		5			
030	319594-7	LIGHT CASE		2			
031	213656-2	O RING 53		2			
032	457636-0	REFLECTOR		2			
033	457634-4	LENS		2			
034	213604-1	O RING 50		2			
035	457635-2	COVER		2			
036	422166-0	PACKING		1			
037	620685-2	LED CIRCUIT		2			
038	687123-7	STRAIN RELIEF		3			
039	266034-5	TAPPING SCREW CT 4X16		6			
040	319595-5	LIGHT CASE COVER		2			
041	266034-5	TAPPING SCREW CT 4X16		8			
042	347279-5	GUARD L		1			
043	922328-5	H.S.H.BOLT M6X18 WITH WR		2	*		
043-1	265A98-2	H.S.H.BOLT M6X18 WITH WR	<	2			
044	161641-8	BRAKE CALIPER ASSEMBLY		1			
045	347208-8	BRAKE DISC		1			
046	161638-7	SNAP IN VALVE		1			

047	126590-6	WHEEL		1	*		
C10	BF00000002	HEX. NUT M16		2	*		
C20	BF00000003	FLAT WASHER		2	*		
C30	BF00000001	HEX. SOCKET BUTTON BOLT M5X 8		6	*		
047-1	126590-6	WHEEL	S	1	*		
C10	BF00000002	HEX. NUT M16		2	*		
C20	BF00000003	FLAT WASHER		2	*		
C30	BF00000001	HEX. SOCKET BUTTON BOLT M5X 8		6	*		
047-2	126904-9	WHEEL	S	1			
C10	BF00000002	HEX. NUT M16		2			
C20	BF00000003	FLAT WASHER		2			
C30	BF00000001	HEX. SOCKET BUTTON BOLT M5X 8		6			
048	126734-8	FRONT TIRE ASSEMBLY		1	*		
D10		INC. 46,47,52					
048-1	127081-0	FRONT TIRE ASSEMBLY	S	1			
D10		INC. 46,47,52					
049	941102-2	FLAT WASHER 5		6	*		
050	232247-0	CONED DISC SPRING 16		2	*		
050-1	232605-0	CONED DISC SPRING 16	<	2			
051	253377-4	FLAT WASHER 17		2	*		
051-1	253470-4	FLAT WASHER 17	<	2			
052	422159-7	FRONT TIRE 430		1			
053	457625-5	LEVER 25		1			
054	213005-3	O RING 5		1			
055	213078-6	O-RING 10		1			
056	816M70-5	INDICATION LABEL		1			
057	816N32-9	CAUTION LABEL		1			
058	632K49-4	LEAD UNIT		1			
059	699096-2	POWER SUPPLY CORD UNIT		1			
C10	682576-5	GROMMET		1			
C20	688162-0	LINE FILTER		2			
060	853S84-9	DCU180 NAME PLATE		1			
061	266130-9	TAPPING SCREW BIND PT 3X16		2			
062	457629-7	TERMINAL HOLDER		1			
063	232267-4	LEAF SPRING		2			
064	620675-5	CONTROLLER		1	*		
064-1	620M45-6	CONTROLLER	<	1			
065	135934-9	BATTERY BOX ASSY		1			
D10		INC. 53-55					
066	643874-2	TERMINAL		2			
067	144519-0	CENTER CASE COMPLETE		1			
C10	263005-3	RUBBER PIN 6		4			
068	266130-9	TAPPING SCREW BIND PT 3X16		5			
069	632K50-9	LEAD UNIT		1			
070	144520-5	SUB CONTROLLER COMPLETE		1			
071	620684-4	BUZZER CIRCUIT		1			
072	457630-2	COVER		1			
073	651534-2	SWITCH 1934.3112B		1			
074	687123-7	STRAIN RELIEF		3			

075	266326-2	TAPPING SCREW 4X18		6		
076	457628-9	FRONT COVER		1		
077	266130-9	TAPPING SCREW BIND PT 3X16		8		
078	922218-2	H.S.H.BOLT M5X14 WITH WR		4	*	
078-1	265A96-6	H.S.H.BOLT M5X14 WITH WR	<	4		
079	TR00000069	HEX.SOCKET HEAD BOLT M5X14		2		
080	942101-7	SPRING WASHER 5		2		
081	941101-4	FLAT WASHER 5		2		
082	TR00000067	LOCK LEVER		1		
083	TR00000068	HEX.BOLT M5X16		4		
084	942101-7	SPRING WASHER 5		4		
085	941101-4	FLAT WASHER 5		4		
086	251594-0	SHOULDER HEX. BOLT M8X40		2		
087	251595-8	HEX.BOLT M8X20		2		
088	941101-4	FLAT WASHER 5		4		
089	942101-7	SPRING WASHER 5		4		
090	144700-3	BRAKE CABLE		1		
091	931202-6	HEX. NUT M5		4		
092	921467-8	HEX. BOLT M8X45		2		
093	252105-4	HEX. LOCK NUT M8-13		2		
094	TR00000070	HEX.BOLT M16X50		2		
095	TR00000073	FLAT WASHER 17		2		
096	326968-5	SLEEVE 17		2		
097	TR00000073	FLAT WASHER 17		2		
098	TR00000072	SPRING 16		2		
099	TR00000071	HEX.NUT M16-24		2		
100	941102-2	FLAT WASHER 5	S	6		
101	253377-4	FLAT WASHER 17	S	1		
A01	144675-6	FOOT COMPLETE		2		
A02	455588-9	WIRE CLAMP		2		
A03	643890-4	KEY		1		
A04	781006-4	WRENCH 13		2	*	
A04-1	781039-9	WRENCH 13	O	2		
E01	688162-0	LINE FILTER		2		
E02	688163-8	LINE FILTER		1		
F02	199008-0	BUCKET SET(EU)		1		
F03	199009-8	CARRIER SET		1		
F05	191A01-6	AUXILIARY WHEEL ATTACHMENT SET		1		

Please state Parts No. when your order.

Print Date 03/01/2024