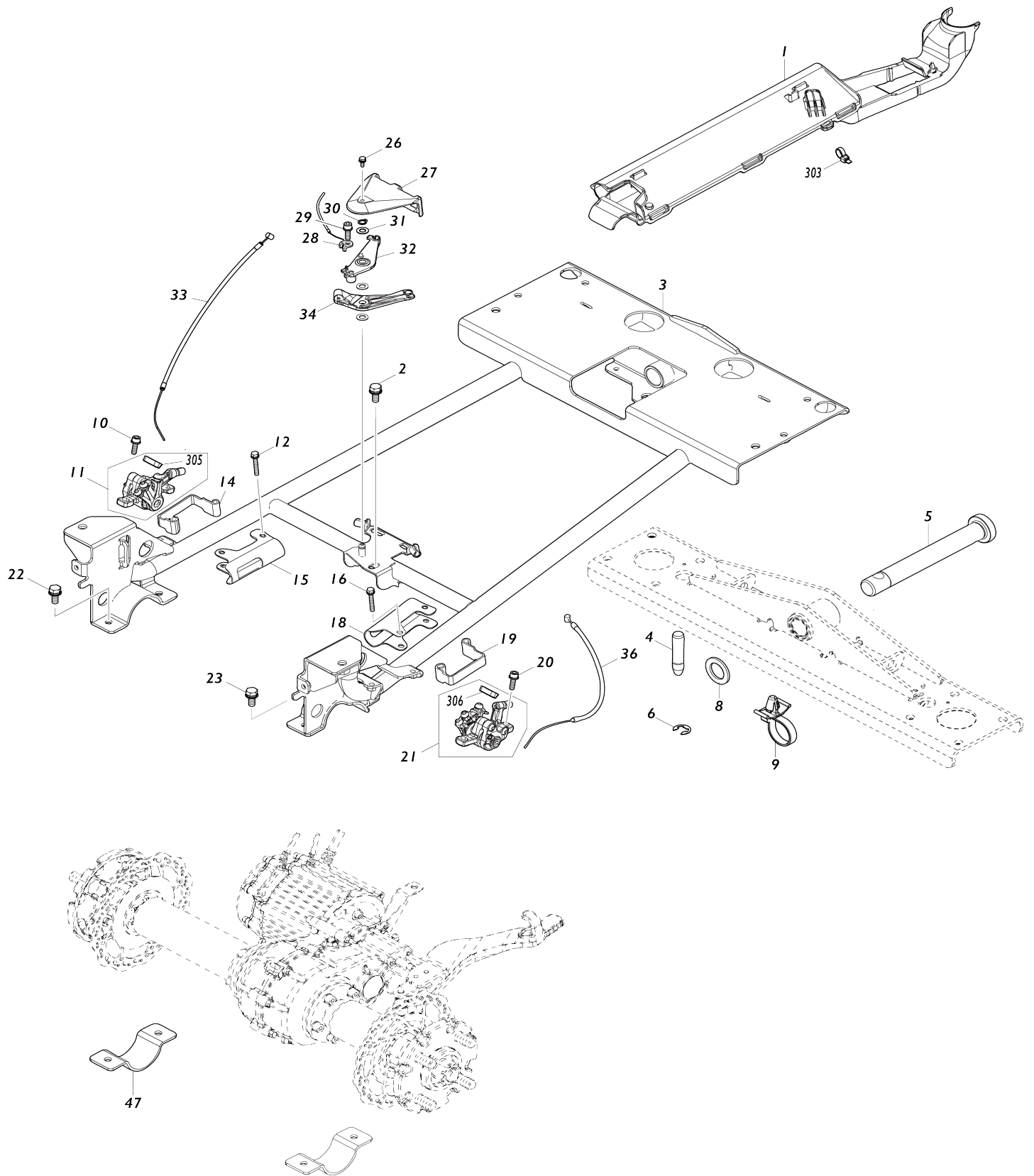
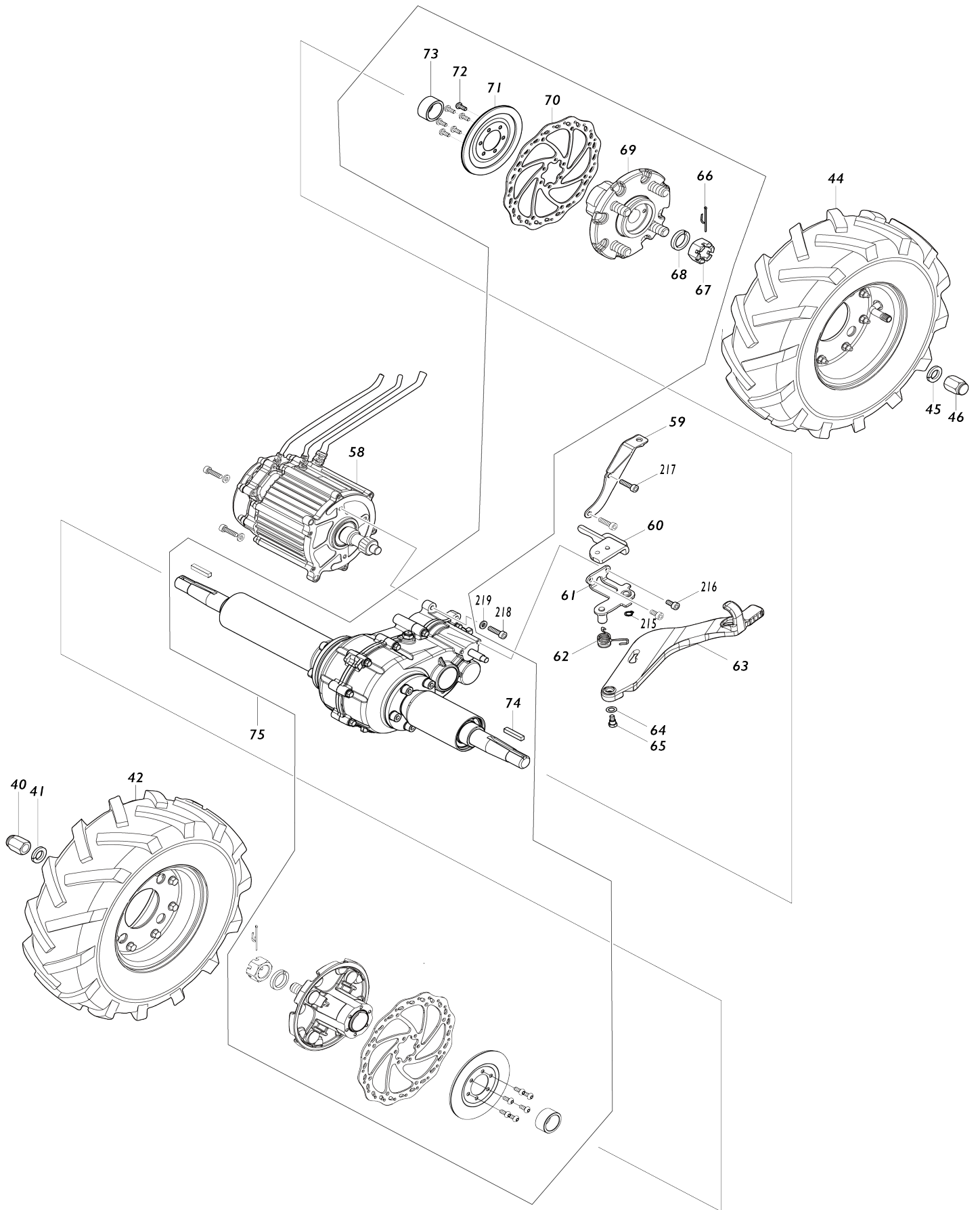


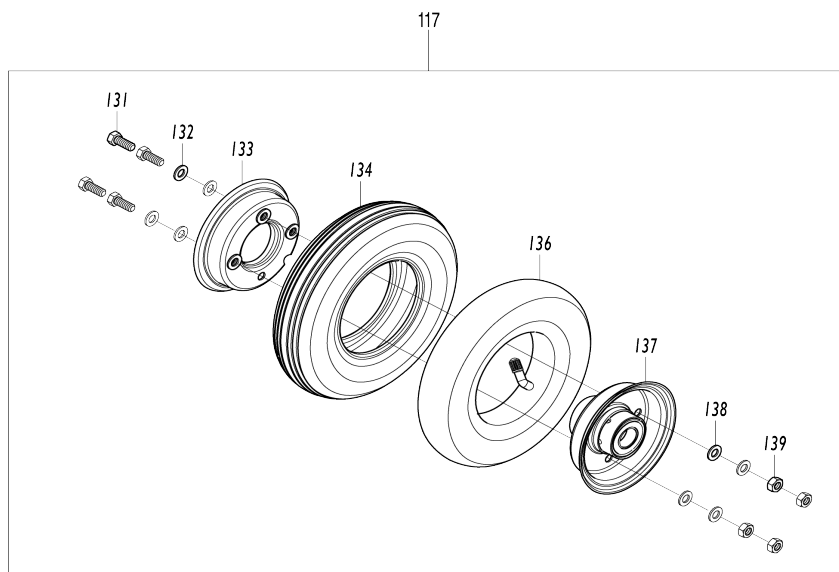
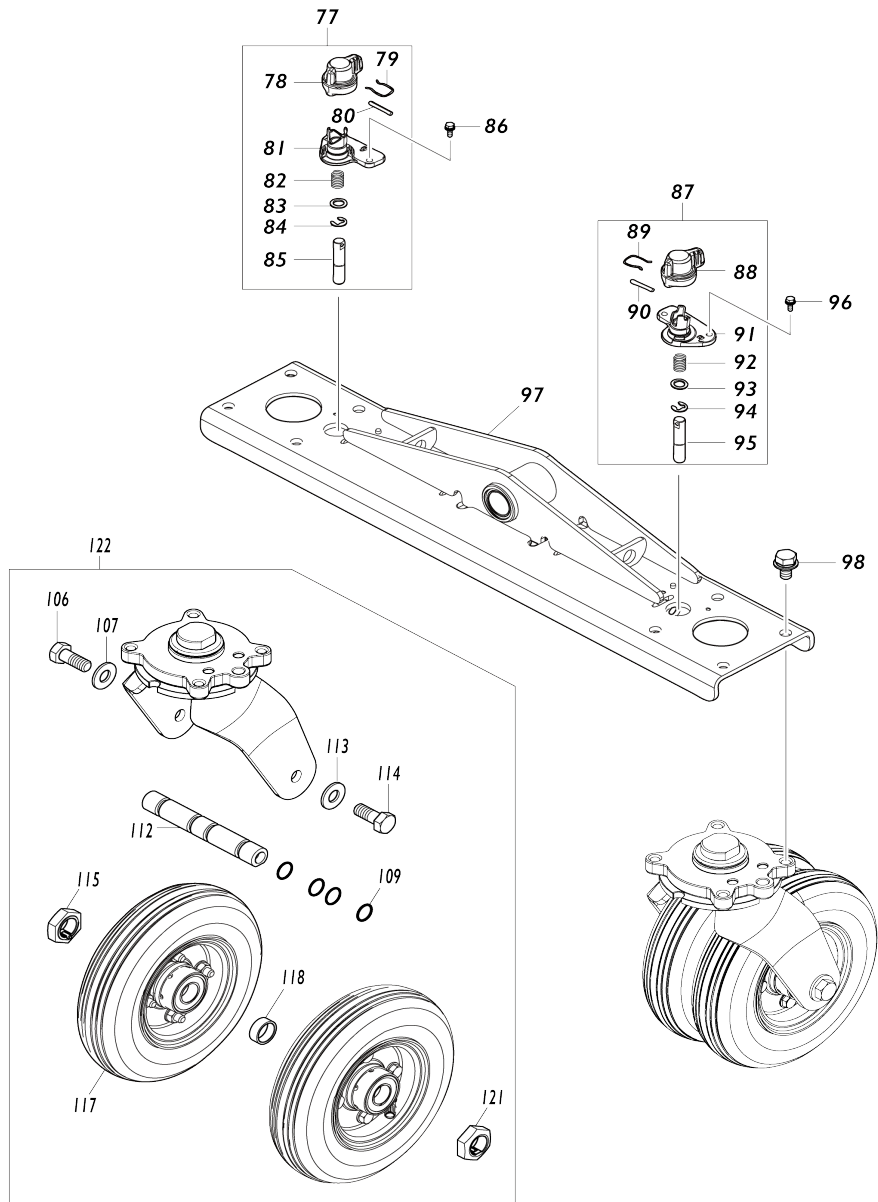
# Model No.DCU603 BATTERY POWERED WHEELBARROW



# Model No.DCU603 BATTERY POWERED WHEELBARROW

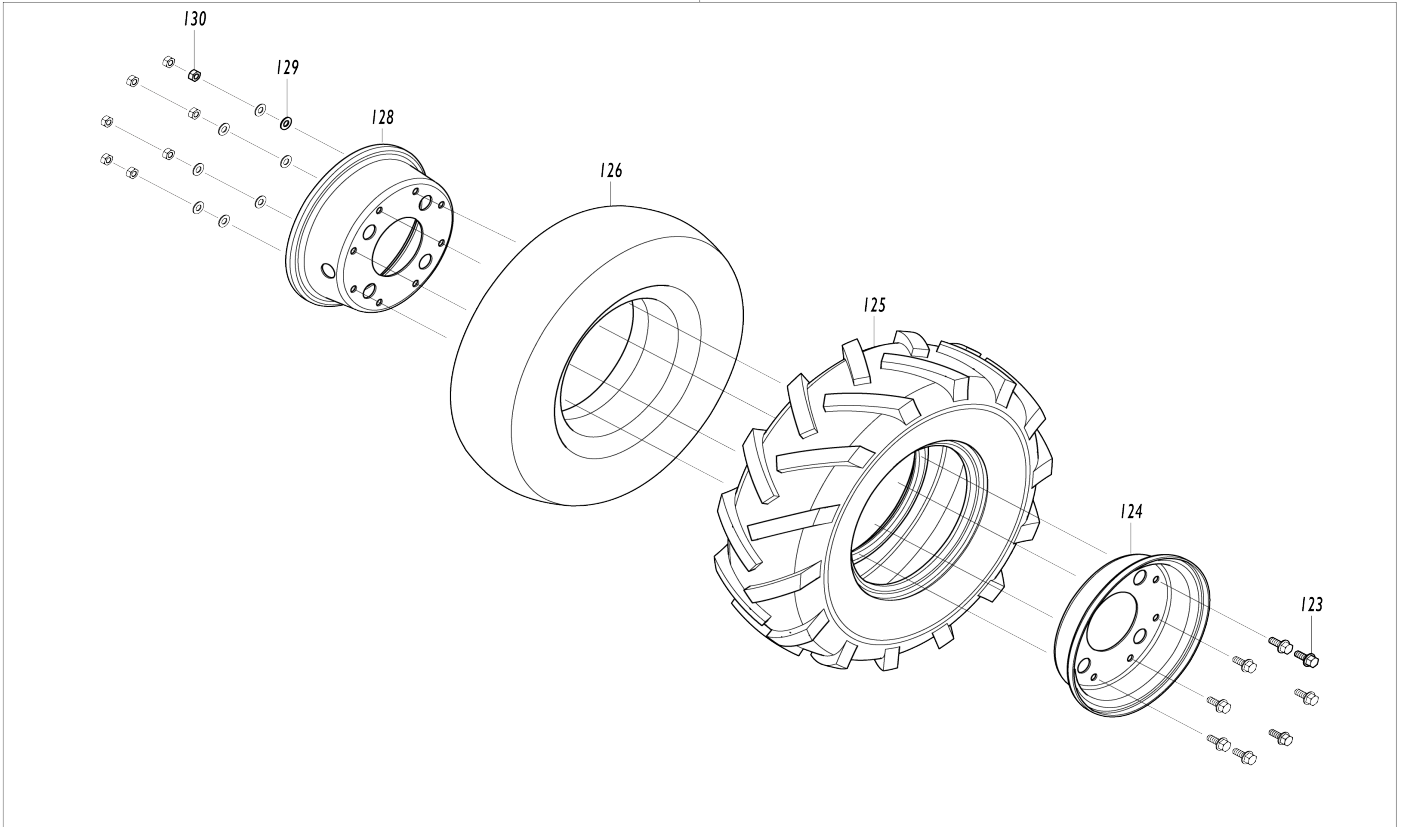


# Model No.DCU603 BATTERY POWERED WHEELBARROW

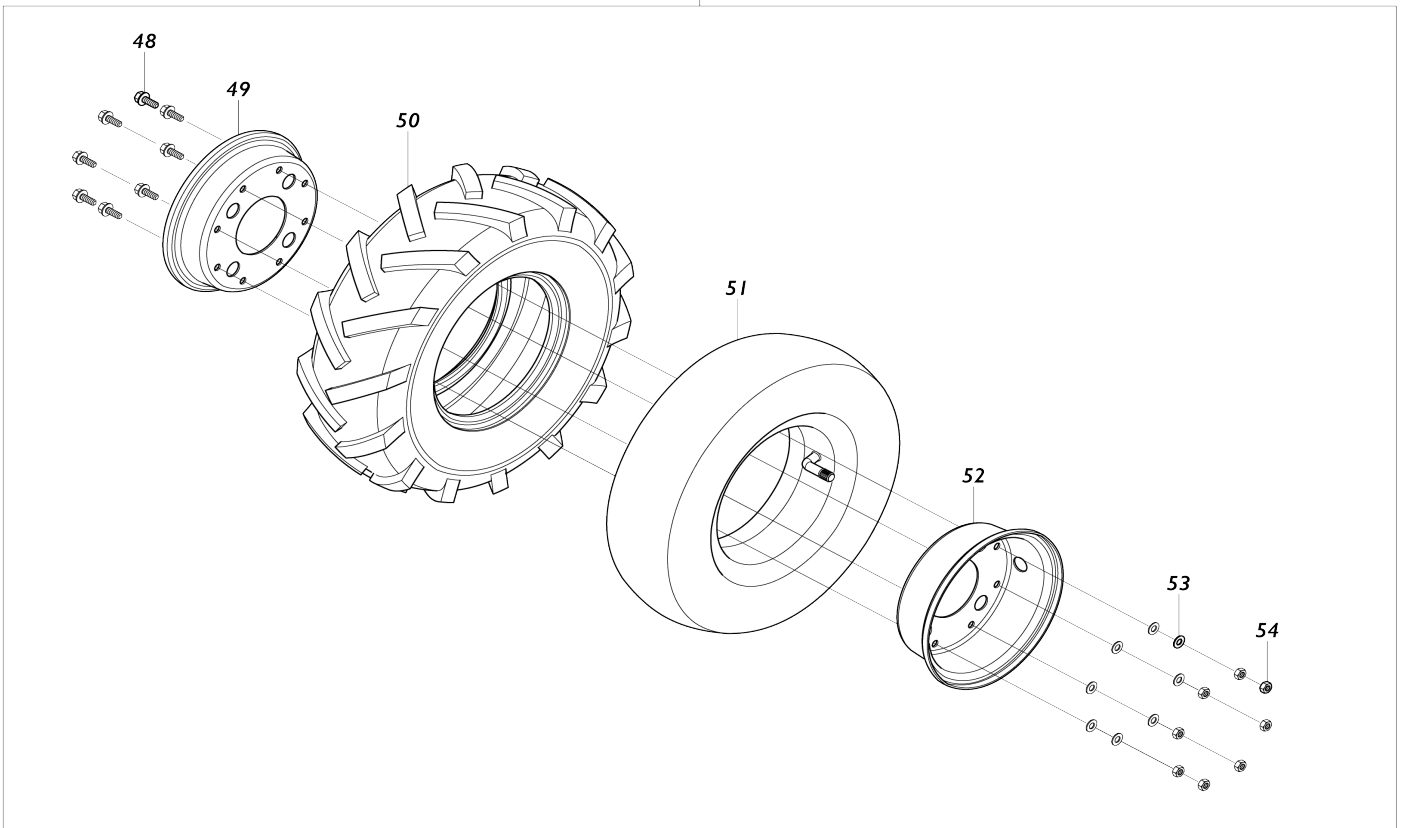


# Model No.DCU603 BATTERY POWERED WHEELBARROW

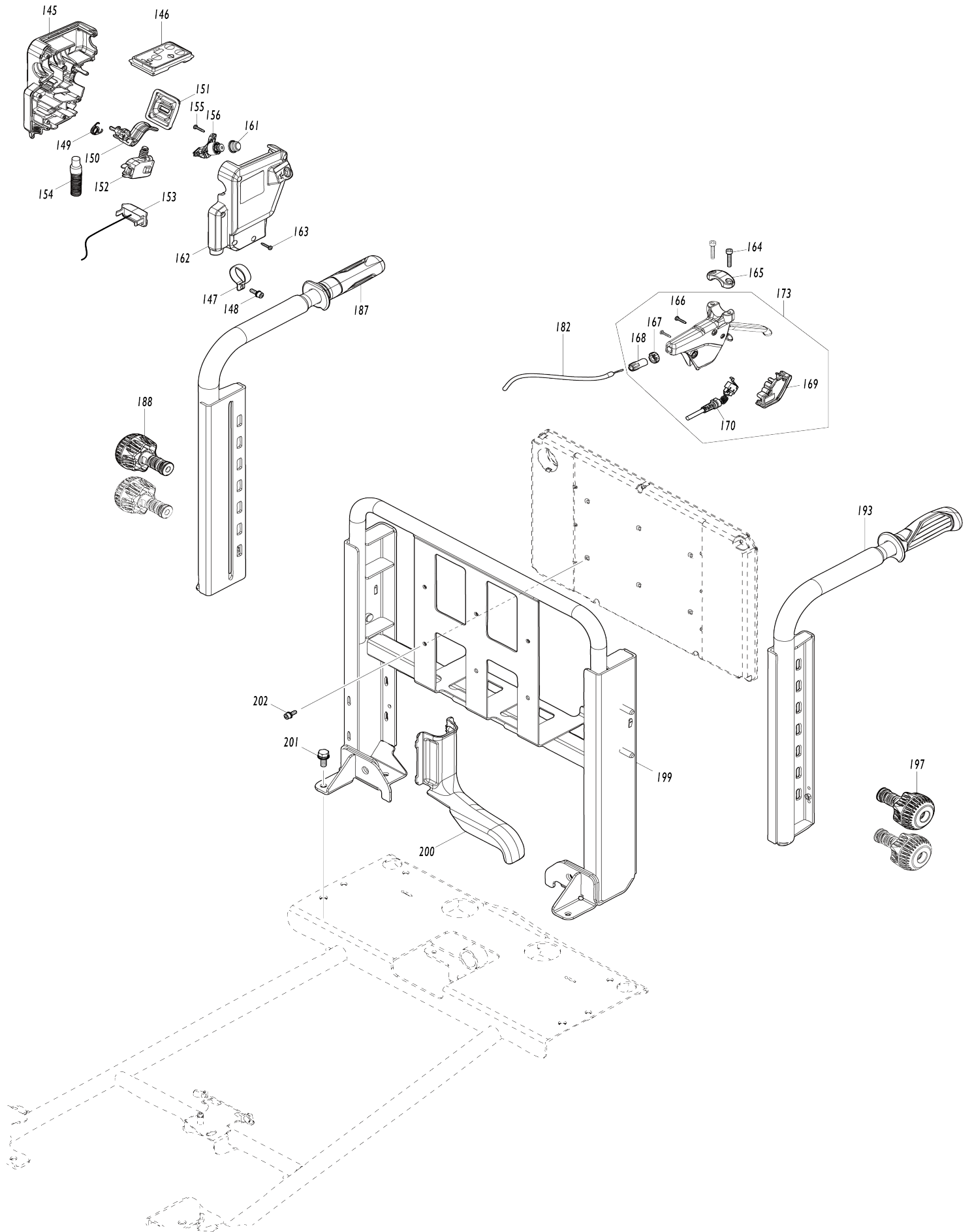
42



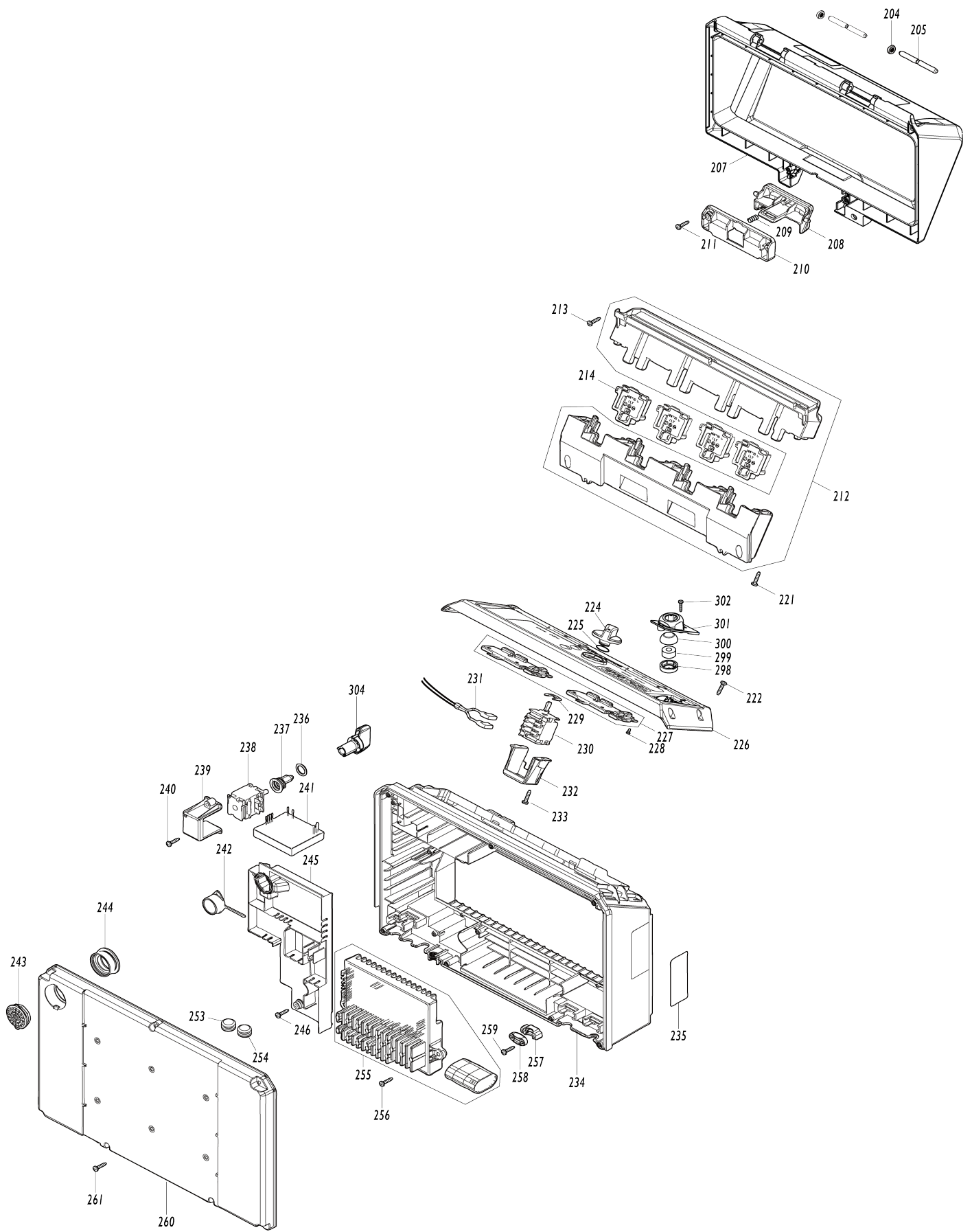
44



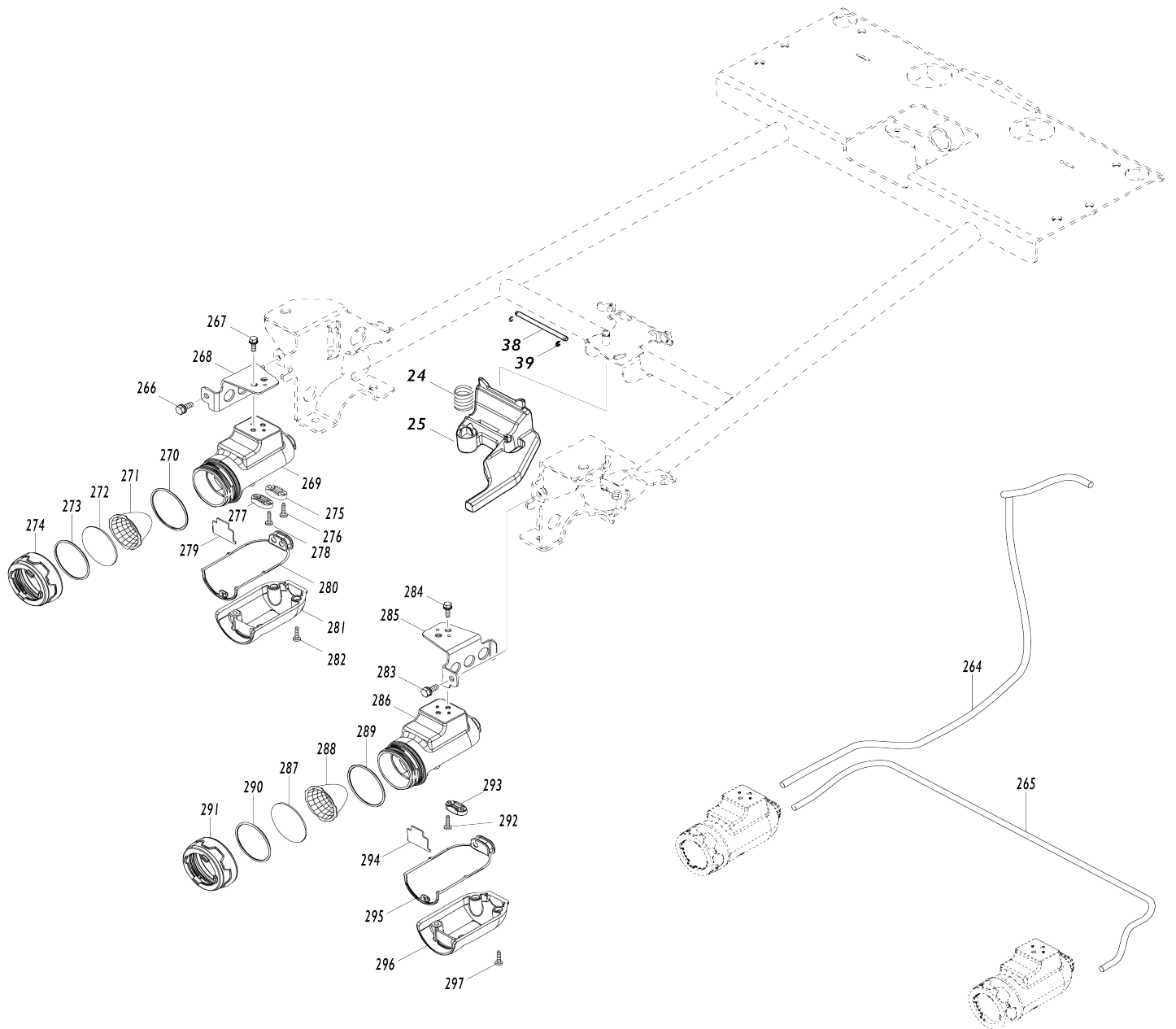
# Model No.DCU603 BATTERY POWERED WHEELBARROW



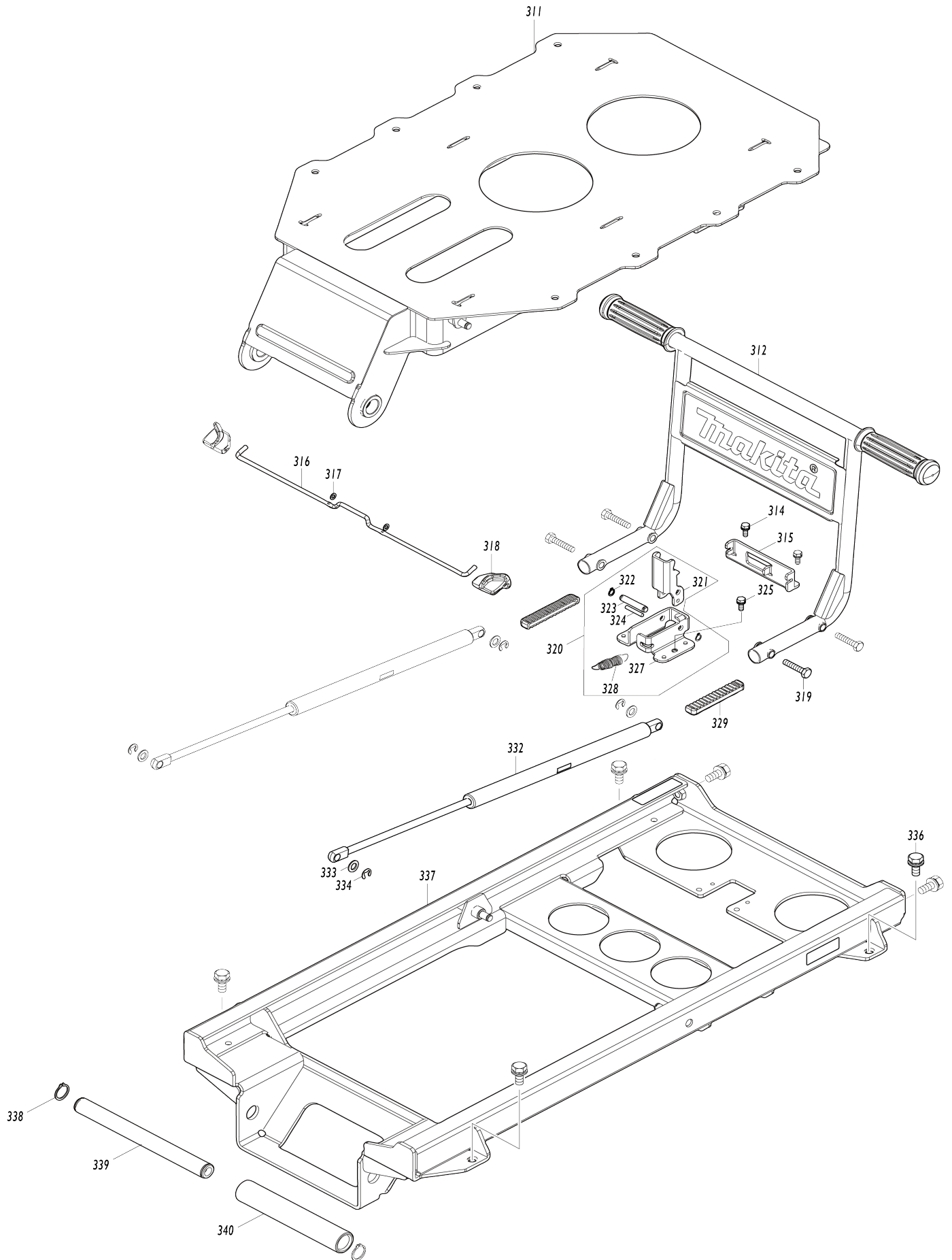
# Model No.DCU603 BATTERY POWERED WHEELBARROW



# Model No.DCU603 BATTERY POWERED WHEELBARROW

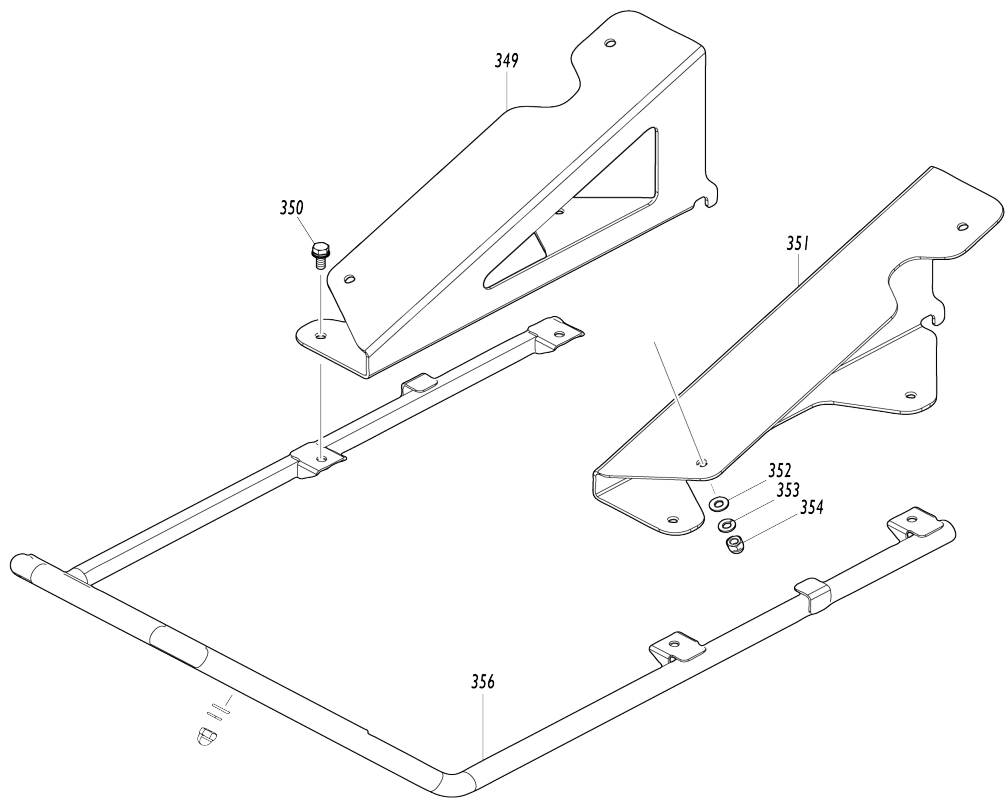
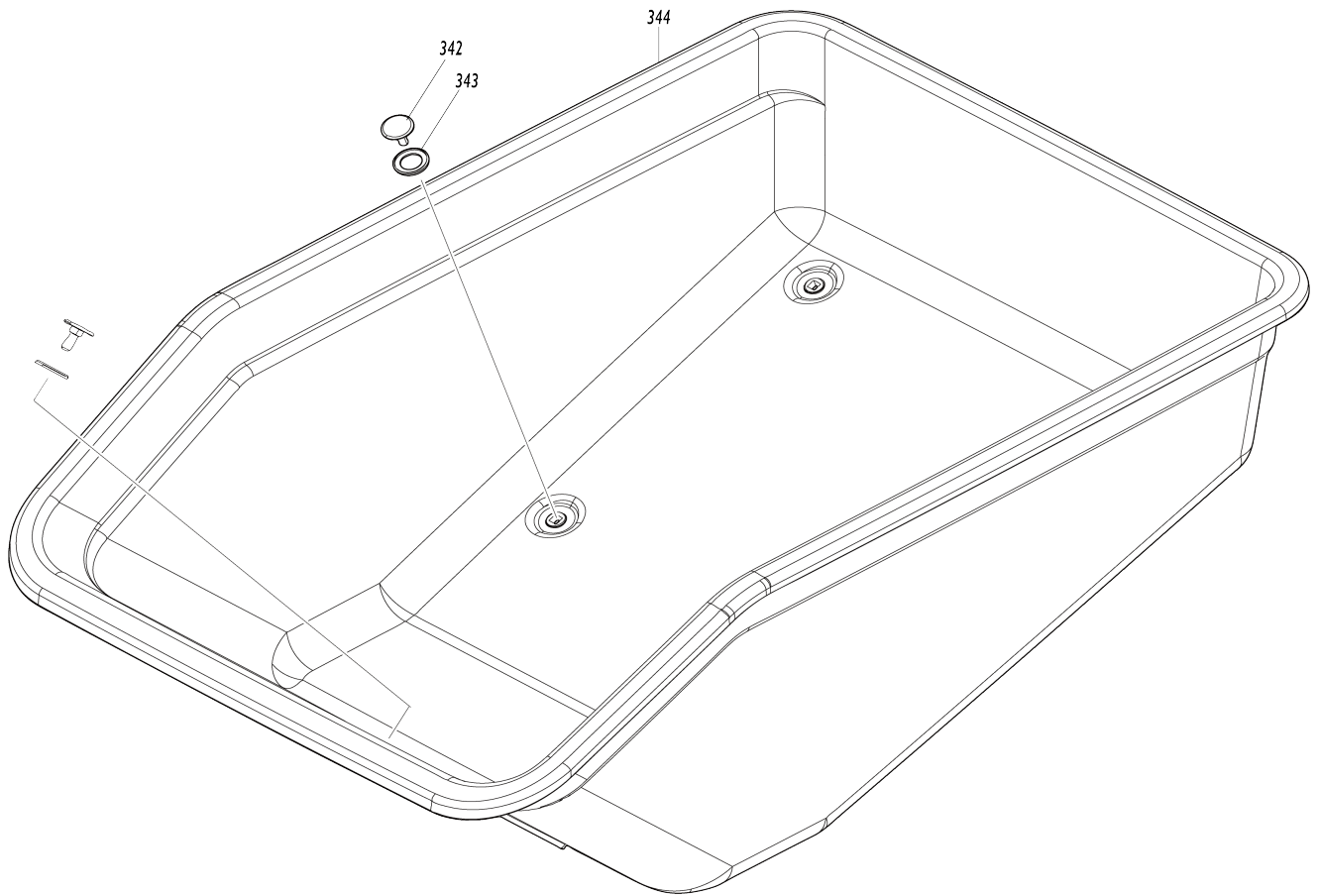


# Model No.DCU603 BATTERY POWERED WHEELBARROW





Model No.DCU603 BATTERY POWERED WHEELBARROW



**Model No.DCU603 BATTERY POWERED WHEELBARROW**

Item No.	Parts No.	Description	Interchangability	Q'ty	New/Old	Note1	Note2
001	412561-2	CORD COVER		1			
002	265B11-6	HEX. BOLT M8X20 WITH WR		1			
003	141P49-8	MAIN FRAME COMPLETE		1			
C10	8064B2-0	INDICATION LABEL		1			
004	256940-2	PIN 14		1			
005	327472-7	BASE SHAFT 25		1			
006	961062-2	STOP RING E-12		1			
008	261163-9	RUBBER WASHER 25		1			
009	687F01-7	BAND		1			
010	265D23-1	HEX. S.H.B M6X22 WITH GM		2			
011	136868-9	BRAKE CALIPER R ASS'Y		1			
D10		INC. 305					
012	265C76-4	HEX. BOLT M5X35 WITH WR		2			
014	347993-3	SCRAPER		1			
015	347995-9	CLAMP R		1			
016	265C76-4	HEX. BOLT M5X35 WITH WR		2			
018	347994-1	CLAMP L		1			
019	347993-3	SCRAPER		1			
020	265D23-1	HEX. S.H.B M6X22 WITH GM		2			
021	136869-7	BRAKE CALIPER L ASS'Y		1			
D10		INC. 306					
022	265B11-6	HEX. BOLT M8X20 WITH WR		2			
023	265B11-6	HEX. BOLT M8X20 WITH WR		2			
024	232737-3	COMPRESSION SPRING 19		1			
025	413D27-9	NEUTRAL LEVER LOCK		1			
026	265C46-3	HEX. BOLT M4X12 WITH WG		1			
027	413D28-7	BRAKE EQUALIZER COVER		1			
028	347629-4	CABLE CLAMP		1			
029	265B14-0	H.S.H.BOLT M6X20 WITH WR		1			
030	961004-6	RETAINING RING (EXT) S-8		1			
031	253165-9	FLAT WASHER 8		3			
032	319906-4	BRAKE EQUALIZER R		1			
033	140P25-9	BRAKE CABLE 370		1			
034	319905-6	BRAKE EQUALIZER L		1			
036	140P25-9	BRAKE CABLE 370		1			
038	256A03-0	ROD 4.5		1			
039	961017-7	STOP RING E-3		2			
040	252289-8	HEX. CAP NUT M14		4			
041	253475-4	SPRING WASHER 14		4			
042	141G99-9	TIRE 330 R ASSEMBLY		1			
D10		INC. 123-126,128-130					
044	141H00-0	TIRE 330 L ASSEMBLY		1			
D10		INC. 48-54					
045	253475-4	SPRING WASHER 14		4			
046	252289-8	HEX. CAP NUT M14		4			
047	347621-0	CLAMP 57		2			
048	265C39-0	HEX. FLANGE HD. BOLT M6X16		8			

049	347950-1	WHEEL 150		1		
050	422857-3	TIRE 330		1		
051	162B39-4	TUBE 330		1		
C10	GQ00000001	VALVE CAP M8		1		
052	347949-6	WHEEL 150		1		
053	253551-4	FLAT WASHER 6		8		
054	252308-0	HEX. NUT M6-10		8		
058	122E51-4	MOTOR ASSEMBLY		1		
059	347698-5	DIFF BRACKET		1		
060	347A16-3	NEUTRAL LEVER		1		
061	347697-7	NEUTRAL LEVER HOLDER		1		
062	232616-5	TORSION SPRING 14		1		
063	413D41-5	NEUTRAL CHANGE LEVER		1		
064	253430-6	FLAT WASHER 8		1		
065	265465-5	SHOULDER HEX. BOLT M6		1		
066	NP00000001	SPLIT PIN 3-35		2		
067	NP00000002	HEX. NUT M20		2		
068	NP00000003	SPRING WASHER 22		2		
069	313304-4	HUB		2		
070	347208-8	BRAKE DISC		2		
071	141P62-6	PLATE COMPLETE		2		
072	265C87-9	H.S.B. HEAD SCREW M5X12		12		
073	327626-6	SLEEVE 25		2		
074	NP00000004	KEY 6		2		
075	122D22-5	DIFFERENTIAL GEAR UNIT		1		
D10		INC. 66-74				
077	122C29-5	TURNING LOCK R ASSEMBLY		1		
D10		INC. 78-85				
078	413D33-4	LOCK LEVER		1		
079	327938-7	SNAP RETAINER		1		
080	268181-8	PIN 3		1		
081	413D32-6	LIFTER GUIDE R		1		
082	232617-3	COMPRESSION SPRING 10		1		
083	253173-0	FLAT WASHER 10		1		
084	961013-5	STOP RING E-7		1		
085	256A04-8	PIN 10		1		
086	265C46-3	HEX. BOLT M4X12 WITH WG		2		
087	122C28-7	TURNING LOCK L ASSEMBLY		1		
D10		INC. 88-95				
088	413D33-4	LOCK LEVER		1		
089	327938-7	SNAP RETAINER		1		
090	268181-8	PIN 3		1		
091	413D31-8	LIFTER GUIDE L		1		
092	232617-3	COMPRESSION SPRING 10		1		
093	253173-0	FLAT WASHER 10		1		
094	961013-5	STOP RING E-7		1		
095	256A04-8	PIN 10		1		
096	265C46-3	HEX. BOLT M4X12 WITH WG		2		
097	162712-4	REAR BASE		1		
098	265B13-2	HEX. BOLT M10X20 WITH WG		8		
106	265B10-8	HEX BOLT M12X40		1		
107	253460-7	FLAT WASHER 13		1		

109	213211-0	O RING 15		4	*		
109-1	213A73-2	O-RING 15	O	4			
112	327646-0	AXLE 20		1			
113	253460-7	FLAT WASHER 13		1			
114	265B10-8	HEX BOLT M12X40		1			
115	136835-4	HEX. SLEEVE 20 ASS'Y		1			
C10	263027-3	RUBBER PIN 4		1			
117	141H01-8	TIRE 210 ASSEMBLY		2			
D10		INC. 131-134,136-139					
118	257498-4	RING 20		1			
121	136835-4	HEX. SLEEVE 20 ASS'Y		1			
C10	263027-3	RUBBER PIN 4		1			
122	127457-1	CASTER 210 ASSEMBLY		2			
D10		INC. 106,107,109,112-115,					
D20		INC. 117,118,121					
123	265C39-0	HEX. FLANGE HD. BOLT M6X16		8			
124	347950-1	WHEEL 150		1			
125	422857-3	TIRE 330		1			
126	162B39-4	TUBE 330		1			
C10	GQ00000001	VALVE CAP M8		1			
128	347949-6	WHEEL 150		1			
129	253551-4	FLAT WASHER 6		8			
130	252308-0	HEX. NUT M6-10		8			
131	265C40-5	HEX. BOLT M8X20		4			
132	253552-2	FLAT WASHER 8		4			
133	347952-7	WHEEL 100		1			
134	422860-4	TIRE 210		1			
136	162B40-9	TUBE 210		1			
C10	GQ00000001	VALVE CAP M8		1			
137	347951-9	WHEEL 100		1			
138	253552-2	FLAT WASHER 8		4			
139	252309-8	HEX. NUT M8-13		4			
145	183X90-3	SWITCH BOX SET		1			
C10	8065A9-5	CAUTION LABEL		1			
D10		INC. 162					
146	140P26-7	SWITCH CIRCUIT COMPLETE		1			
C10	183X57-1	SWITCH PLATE SET		1			
C20	266490-9	TAPPING SCREW PT 2X6		3			
147	346249-1	PIPE CLAMP 28		1			
148	265A97-4	H.S.H.BOLT M5X16 WITH WR		1			
149	232738-1	TORSION SPRING 11		1			
150	412206-2	SWITCH LEVER		1			
151	422554-1	LEVER COVER		1			
152	651395-0	SWITCH C3JW-6B-PA6N		1			
153	620C26-0	LED CIRCUIT		1			
154	699178-0	POWER SUPPLY CORD UNIT		1			
155	266130-9	TAPPING SCREW BIND PT 3X16		2			
156	122C26-1	BUZZER SWITCH ASSEMBLY		1			
C10	632T14-7	SWITCH UNIT		1			
161	422555-9	SWITCH COVER		1			
162	183X90-3	SWITCH BOX SET		1			

C10	8065A9-5	CAUTION LABEL		1		
D10		INC. 145				
163	266130-9	TAPPING SCREW BIND PT 3X16		6		
164	265C98-4	HEX SOCKET HEAD BOLT M5X25		2		
165	312C48-1	CLAMP 22		1		
166	266130-9	TAPPING SCREW BIND PT 3X16		2		
167	312C44-9	ADJUST NUT		1		
168	312C43-1	ADJUST BOLT		1		
169	413D25-3	SWITCH HOLDER		1		
170	632T13-9	SWITCH UNIT		1		
173	127458-9	BRAKE LEVER ASSEMBLY		1		
D10		INC. 166-170				
182	140P23-3	BRAKE CABLE 1590		1		
187	140T47-3	HANDLE R COMPLETE		1		
188	141H20-4	HANDLE LOCK KNOB		2		
C10	232739-9	COMPRESSION SPRING 15		2		
C20	313400-8	SPRING HOLDER		2		
193	140P15-2	HANDLE L COMPLETE		1		
197	141H20-4	HANDLE LOCK KNOB		2		
C10	232739-9	COMPRESSION SPRING 15		2		
C20	313400-8	SPRING HOLDER		2		
199	141N97-5	HANDLE BASE COMPLETE		1		
C10	8059G2-2	INDICATION LABEL		1		
200	412562-0	HANDLE BASE COVER		1		
201	265B11-6	HEX. BOLT M8X20 WITH WR		4		
202	265A96-6	H.S.H.BOLT M5X14 WITH WR		6		
204	262206-0	RUBBER RING 6		2		
205	256942-8	ROD 6		2		
207	141K01-6	BATTERY COVER COMPLETE		1		
C10	8048W7-5	CAUTION LABEL		1		
C20	8059G1-4	INDICATION LABEL		1		
C30	816M70-5	INDICATION LABEL		1		
208	412195-1	BATTERY COVER HOOK		1		
209	231240-1	COMPRESSION SPRING 7		1		
210	412533-7	HOOK RETAINER		1		
211	266326-2	TAPPING SCREW 4X18		2		
212	183V34-1	TERMINAL CASE SET		1		
C10	263005-3	RUBBER PIN 6		8		
213	266326-2	TAPPING SCREW 4X18		5		
214	644809-6	TERMINAL		4		
215	961004-6	RETAINING RING (EXT) S-8		1		
216	265C85-3	HEX SOCKET HEAD BOLT M6X12		2		
217	265C86-1	HEX SOCKET HEAD BOLT M6X22		2		
218	265C86-1	HEX SOCKET HEAD BOLT M6X22		3		
219	347A43-0	SPACER 6		3		
221	266326-2	TAPPING SCREW 4X18		5		
222	266326-2	TAPPING SCREW 4X18		4		
224	412196-9	CHANGE LEVER		1		
225	213A15-6	O-RING 14		1		
226	141L75-3	TOP COVER COMPLETE		1		
C10	8048W3-3	INDICATION LABEL		1		
227	620C24-4	INDICATION CIRCUIT		1		

228	265C42-1	TAPPING SCREW 3X6		10		
229	961062-2	STOP RING E-12		1		
230	651444-3	SWITCH 1703.4703		1		
231	638A27-2	LEAD UNIT		1		
232	451343-7	SWITCH HOLDER		1		
233	266326-2	TAPPING SCREW 4X18		2		
234	412188-8	CENTER CASE		1		
235	8118K4-0	DCU603 NAME PLATE		1		
236	213A15-6	O-RING 14		1		
237	413D29-5	KEY JOINT		1		
238	650622-2	SWITCH		1		
239	451343-7	SWITCH HOLDER		1		
240	266326-2	TAPPING SCREW 4X18		2		
241	620G67-0	CONTROLLER		1		
242	620C25-2	BUZZER CIRCUIT		1		
243	413D35-0	BUZZER COVER		1		
244	422840-0	GROMMET		1		
245	412194-3	INNER CASE		1		
246	266326-2	TAPPING SCREW 4X18		2		
253	682114-3	GROMMET		1		
254	682114-3	GROMMET		1		
255	620D13-5	CONTROLLER		1		
256	266326-2	TAPPING SCREW 4X18		2		
257	687051-6	STRAIN RELIEF		1		
258	687124-5	STRAIN RELIEF		1		
259	266326-2	TAPPING SCREW 4X18		2		
260	412190-1	FRONT COVER		1		
261	266326-2	TAPPING SCREW 4X18		7		
264	699180-3	POWER SUPPLY CORD UNIT		1		
265	699181-1	POWER SUPPLY CORD UNIT		1		
266	265B16-6	HEX. BOLT M6X16 WITH WR		1		
267	265B17-4	HEX. BOLT M5X16 WITH WR		2		
268	347622-8	LIGHT STAY R		1		
269	319594-7	LIGHT CASE		1		
270	213656-2	O RING 53		1		
271	457636-0	REFLECTOR		1		
272	457634-4	LENS		1		
273	213604-1	O RING 50		1		
274	457635-2	COVER		1		
275	687124-5	STRAIN RELIEF		1		
276	266034-5	TAPPING SCREW CT 4X16		2		
277	687124-5	STRAIN RELIEF		1		
278	266034-5	TAPPING SCREW CT 4X16		2		
279	620685-2	LED CIRCUIT		1		
280	422151-3	PACKING		1		
281	319595-5	LIGHT CASE COVER		1		
282	266034-5	TAPPING SCREW CT 4X16		4		
283	265B16-6	HEX. BOLT M6X16 WITH WR		1		
284	265B17-4	HEX. BOLT M5X16 WITH WR		2		
285	347623-6	LIGHT STAY L		1		
286	319594-7	LIGHT CASE		1		

287	457634-4	LENS		1		
288	457636-0	REFLECTOR		1		
289	213656-2	O RING 53		1		
290	213604-1	O RING 50		1		
291	457635-2	COVER		1		
292	266034-5	TAPPING SCREW CT 4X16		2		
293	687124-5	STRAIN RELIEF		1		
294	620685-2	LED CIRCUIT		1		
295	422166-0	PACKING		1		
296	319595-5	LIGHT CASE COVER		1		
297	266034-5	TAPPING SCREW CT 4X16		4		
298	413D37-6	LEVEL CASE		1		
299	242101-0	LEVEL INDICATOR		1		
300	413D36-8	LEVEL COVER		1		
301	413D38-4	LEVEL RETANER		1		
302	266130-9	TAPPING SCREW BIND PT 3X16		2		
303	687F00-9	BAND		1		
304	413D30-0	KEY		1		
305	422961-8	PAD RETAINER		1		
306	422961-8	PAD RETAINER		1		
311	162717-4	UPPER FRAME		1		
312	140P16-0	DUMP HANDLE COMPLETE		1		
C10	8048W5-9	MAKITA LOGO LABEL		1		
314	265B16-6	HEX. BOLT M6X16 WITH WR		2		
315	347628-6	HOLDER		1		
316	327470-1	ROD 5		1		
317	941102-2	FLAT WASHER 5		2		
318	412197-7	KNOB		2		
319	921461-0	HEX. BOLT M8X40		4		
320	122C30-0	DUMP LOCK ASSEMBLY		1		
D10		INC. 321-324,327,328				
321	347626-0	ARM		1		
322	961004-6	RETAINING RING (EXT) S-8		2		
323	256943-6	PIN 8		1		
324	256196-7	PIN 5		1		
325	265B16-6	HEX. BOLT M6X16 WITH WR		2		
327	347627-8	BASE		1		
328	232618-1	TENSION SPRING 11		1		
329	422556-7	CUSHION RUBBER		2		
332	162816-2	GAS SPRING 240		2		
333	941252-3	FLAT WASHER 10		4		
334	961014-3	STOP RING E-8		4		
336	265508-3	HEX.BOLT M10X25		6		
337	141N98-3	DUMP BASE COMPLETE		1		
C10	8059G3-0	CAUTION LABEL		2		
C20	8059G6-4	INDICATION LABEL		1		
C30	8059G7-2	INDICATION LABEL		1		
338	961102-6	RETAINING RING S-22		2		
339	327474-3	SHAFT 22		1		
340	327480-8	SLEEVE 22		1		
342	265B12-4	FLAT H. SQUARE NECK BOLT M8 X24		6		

343	261164-7	RUBBER WASHER 20		6		
344	412198-5	DUMP BUCKET 200		1		
349	347624-4	BUCKET BASE R		1		
350	265B11-6	HEX. BOLT M8X20 WITH WR		4		
351	347625-2	BUCKET BASE L		1		
352	941201-0	FLAT WASHER 8		6		
353	942201-3	SPRING WASHER 8		6		
354	252278-3	HEX. CAP NUT M8		6		
356	141N86-0	BUCKET GUARD COMPLETE		1		
C10	457744-7	CAP 22		2		
357	941201-0	FLAT WASHER 8		1		
F01	191B63-0	DUMP UNIT SET		1		
F02	191B69-8	DUMP BUCKET 200 SET		1		
F03	1911K4-7	TIRE 330 (SINGLE) SET		1		
F04	1911K5-5	GRAY TIRE 330 (SINGLE) SET		1		
F05	1911K6-3	GRAY TIRE 210 (SINGLE) SET		1		

Please state Parts No. when your order.

Print Date 10/24/2023