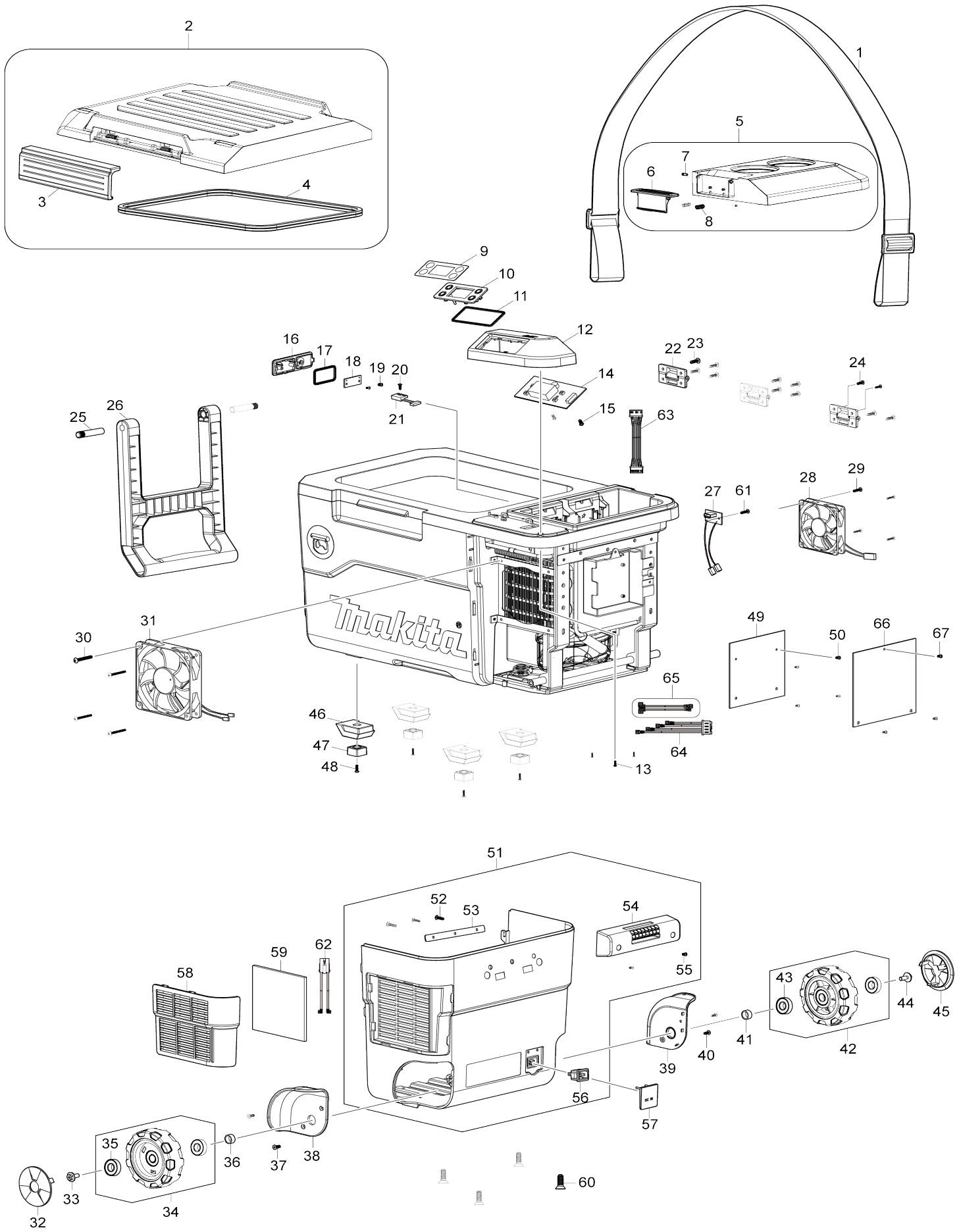


Model No.DCW180 CORDLESS COOLER & WARMER BOX



Model No.DCW180 CORDLESS COOLER & WARMER BOX

Item No.	Parts No.	Description	Interchangability	Q'ty	New/Old	Note1	Note2
001	A-71093	SHOULDER BELT		1			
002	WL00000004	TOP COVER ASSY		1			
C10	WL00000315	CAUTION LABEL		1			
D10		INC. 3,4					
003	WL00000005	HANDLE A		1			
004	WL00000006	SEALING		1			
005	WL00000007	BATTERY COVER		1			
D10		INC. 6,7,8					
006	WL00000008	HANDLE B		1			
007	WL00000009	SHAFT 3MM (BATTERY BOX HANDLE)		2			
008	WL00000010	COMPRESSION SPRING 5MM		2			
009	WL00000072	CONTROL FILM B		1			
010	WL00000012	BUTTON PCB		1			
011	WL00000013	SEALING B		1			
012	WL00000014	CONTROL PANEL		1			
013	WL00000015	TAPPING SCREW 3X10		3			
014	WL00000016	CONTROL PCB		1			
015	WL00000017	TAPPING SCREW 3X8		2			
016	WL00000018	THERMOSTAT TOP COVER		1			
017	WL00000019	SEALING C		1			
018	WL00000020	LIGHT BOARD ASSY		1			
019	WL00000017	TAPPING SCREW 3X8		2			
020	WL00000015	TAPPING SCREW 3X10		1			
021	WL00000021	MAGNETIC SWITCH WITH CABLE		1			
022	WL00000022	HINGE		3			
023	WL00000023	TAPPING SCREW 4X16		10			
024	WL00000024	TAPPING SCREW 4X12		2			
025	WL00000025	SHAFT 10MM (DRAG HANDLE)		2			
026	WL00000026	DRAG HANDLE		1			
027	WL00000027	USB PCB WITH CABLE		1			
028	WL00000028	FAN A WITH CABLE		1	*		
028-1	WL00000028	FAN A WITH CABLE	O	1	*		
028-2	WL00000432	FAN A WITH CABLE	O	1			
029	WL00000029	PAN HEAD SCREW M4X35		4			
030	WL00000029	PAN HEAD SCREW M4X35		4	*		
030-1	WL00000029	PAN HEAD SCREW M4X35	O	2			
031	WL00000030	FAN B WITH CABLE		1	*		
031-1	WL00000030	FAN B WITH CABLE	O	1	*		
031-2	WL00000264	FAN	O	1			
032	WL00000031	WHEEL COVER		1			
033	WL00000032	SCREW M6X16 WITH WASHER		1			
034	WL00000033	WHEEL ASSY		1			
D10		INC. 35					
035	WL00000034	BEARING FOR SHAFT		2			
036	WL00000035	SHAFT SLEEVE 12MM		1	*		
036-1	WL00000433	SHAFT SLEEVE 12MM	O	1			
037	WL00000036	COUNTERSUNK TAPPING SCREW		2			

		4X12				
038	WL00000037	LEFT WHEEL COVER		1		
039	WL00000038	RIGHT WHEEL COVER		1		
040	WL00000036	COUNTERSUNK TAPPING SCREW 4X12		2		
041	WL00000035	SHAFT SLEEVE 12MM		1	*	
041-1	WL00000433	SHAFT SLEEVE 12MM	O	1		
042	WL00000033	WHEEL ASSY		1		
D10		INC. 43				
043	WL00000034	BEARING FOR SHAFT		2		
044	WL00000032	SCREW M6X16 WITH WASHER		1		
045	WL00000031	WHEEL COVER		1		
046	WL00000039	FOOT		4		
047	WL00000040	FOOT PAD		4		
048	WL00000041	TAPPING SCREW 4X20		4		
049	WL00000042	POWER PCB ASSY		1		
050	WL00000017	TAPPING SCREW 3X8		4		
051	WL00000043	REAR COVER ASSY		1		
D10		INC. 52-56				
052	WL00000044	TAPPING SCREW 4X12		3		
053	WL00000045	HANDLE STRENGTHEN IRON		1		
054	WL00000046	LIFTED HANDLE R		1		
055	WL00000047	TAPPING SCREW 4X12		2		
056	WL00000048	DC IN SOCKET		1		
057	WL00000049	DC IN COVER		1		
058	WL00000050	DUST PROOF COVER		1		
059	WL00000051	FILTER SPONGE		1		
060	WL00000052	COUNTERSUNK TAPPING SCREW 4X18		4		
061	WL00000067	SCREW ST3X12		2		
062	WL00000068	POWER CONNECTION WIRE		1		
063	WL00000069	CONTROLLING PCB WIRE		1		
064	WL00000070	COMPRESSOR PCB WIRE		1		
065	WL00000071	COMPRESSOR INPUT WIRE		1		
A01	WL00000058	AC ADAPTOR ASSY C		1		
C10	WL00000063	AC POWER CORD		1		
A02	WL00000002	CIGAR LIGHTER DC 12-24V		1		
C10	WL00000056	FUSE		1		

Please state Parts No. when your order.

Print Date 12/04/2023