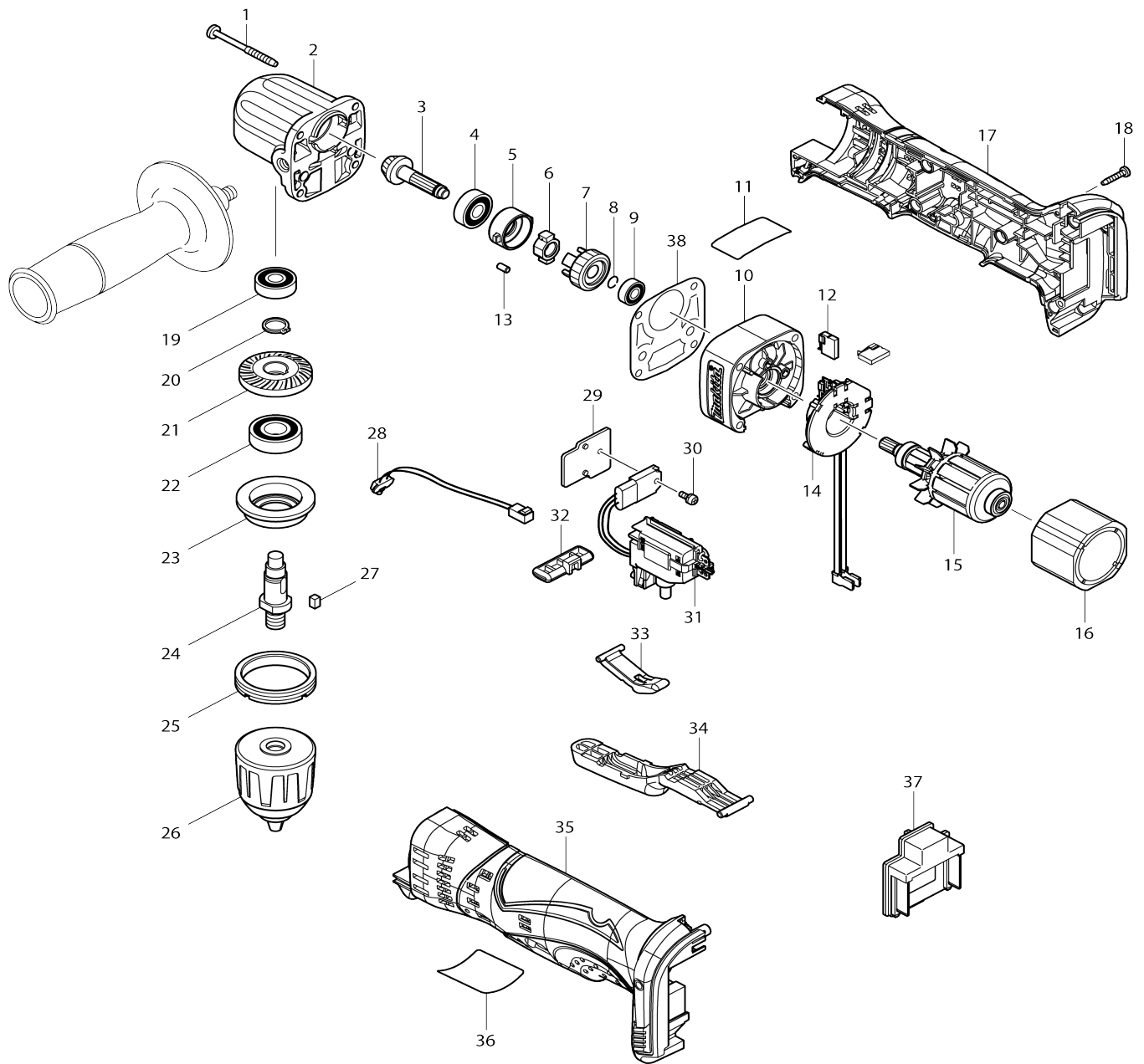


Model No.DDA341 CORDLESS ANGLE DRILL 10MM



Model No.DDA341 CORDLESS ANGLE DRILL 10MM

Item No.	Parts No.	Description	Interchangability	Q'ty	New/Old	Note1	Note2
001	266069-6	TAPPING SCREW 4X45		4			
002	317634-5	GEAR HOUSING		1			
003	227538-2	SPIRAL BEVEL GEAR 9		1	*		
003-1	227A76-0	SPIRAL BEVEL GEAR 9	S	1			
004	210029-0	BALL BEARING 608ZZ		1			
005	324930-4	LOCK RING		1			
006	331647-2	LOCK CAM		1			
007	227221-1	SPUR GEAR 29		1			
008	231956-8	RING SPRING 6		1			
009	210033-9	BALL BEARING 696ZZ		1			
010	450607-6	GEAR HOUSING COVER		1			
012	194427-5	CARBON BRUSH SET CB-440		1	*		
012-1	195021-6	CARBON BRUSH SET CB-440	O	1			
013	268100-4	PIN 3.5		2			
014	539202-6	BRUSH HOLDER ASSY		1			
D10		INC. 12					
015	619232-4	ARMATURE		1	*		
015-1	619232-4	ARMATURE	O	1			
016	638613-3	YOKE UNIT		1			
017	187129-0	HOUSING SET		1			
D10		INC. 35					
018	266130-9	TAPPING SCREW BIND PT 3X16		5			
019	210029-0	BALL BEARING 608ZZ		1			
020	961052-5	RETAINING RING (EXT) S-12		1			
021	227537-4	SPIRAL BEVEL GEAR 26		1	*		
021-1	227A75-2	SPIRAL BEVEL GEAR 26	S	1			
022	211131-2	BALL BEARING 6001DDW		1			
023	317633-7	BEARING BOX		1			
024	324329-3	SPINDLE		1			
025	285842-5	BEARING RETAINER 36-43		1			
026	766005-7	KEYLESS DRILL CHUCK 10		1			
027	254201-4	KEY 4		1			
028	631814-2	LED CIRCUIT		1			
029	689098-6	HEAT SINK		1			
030	911006-2	PAN HEAD SCREW M3X8		1			
031	632B90-3	SWITCH UNIT		1			
032	450610-7	F/R CHANGE LEVER		1			
033	450609-2	LINK		1			
034	450608-4	SWITCH LAVER		1			
035	187129-0	HOUSING SET		1			
D10		INC. 17					
036	815N84-7	DDA341 NAME PLATE		1			
037	643867-9	TERMINAL		1			
038	418036-9	GASKET		1			
A01	153489-2	GRIP 36 COMPLETE		1			
A02	***DC18RC	DC18RC FAST CHARGER		1			
A03	194065-3	BATTERY BL1430 SET		2	*		

A03-1	194065-3	BATTERY BL1430 SET	O	2	*		
A03-2	197616-1	BATTERY BL1430B SET	<	2	*		
A03-3	197616-1	BATTERY BL1430B SET	O	2			
A04	450128-8	BATTERY COVER		1			
A05	821550-0	CONNECTOR PLASTIC CASE (TYPE2)		1			
C10	453974-8	LATCH		4			
A06	838040-6	INNER TRAY		1			
A07	803S82-3	DDA341RFJ INDICATION LABEL		1			
A08	803S83-1	DDA341RFJ PLASTIC CASE LABEL		2			
F01	194654-4	HOOK SET		1			
C10	251314-2	+ SCREW M4X12		1			
C20	324705-1	HOOK		1			
F03	194649-7	BATTERY PROTECTOR		1			
C10	251314-2	+ SCREW M4X12		2			
A07	803S84-9	DDA341ZJ INDICATION LABEL		1			
A08	803S85-7	DDA341ZJ PLASTIC CASE LABEL		2			

Please state Parts No. when your order.

Print Date 11/16/2023