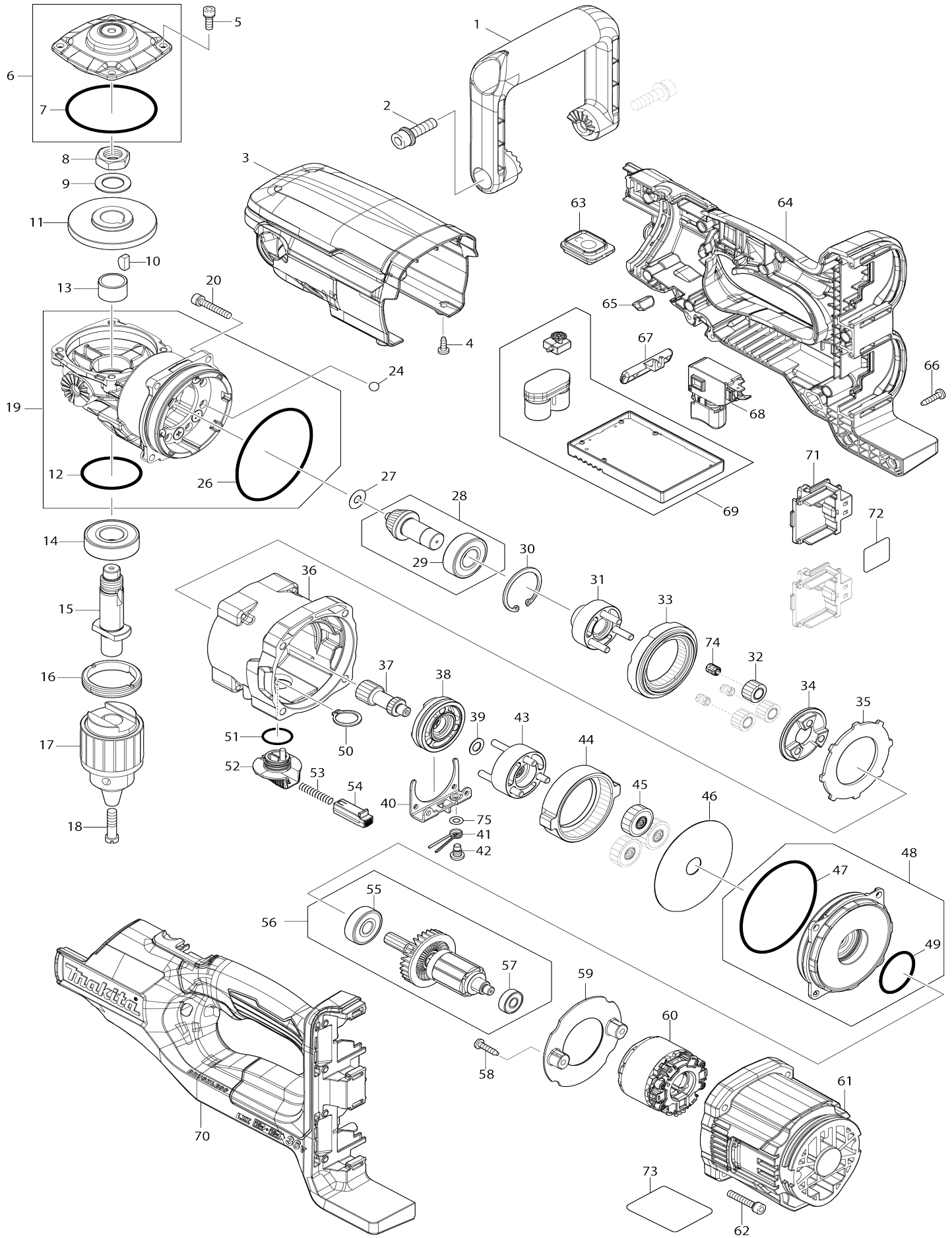


Model No.DDA460 CORDLESS ANGLE DRILL



Model No.DDA460 CORDLESS ANGLE DRILL

Item No.	Parts No.	Description	Interchangability	Q'ty	New/Old	Note1	Note2
001	458431-1	FRONT GRIP		1			
002	922453-2	HEX.SOCKET HEAD BOLT M8X30		2			
003	458430-3	TOP COVER		1			
004	266026-4	TAPPING SCREW BIND CT 4X12		2			
005	266086-6	HEX. SOCKET HEAD BOLT M5X16		4			
006	140A21-7	GEAR HOUSING COVER COMPLETE		1			
D10		INC. 7					
007	213709-7	O RING 63		1			
008	252182-6	HEX. NUT M16-22		1	*		
008-1	252267-8	HEX. NUT M16-22	<	1			
009	253771-0	FLAT WASHER 16		1			
010	254032-1	WOODRUFF KEY 5		1			
011	227416-6	SPIRAL BEVEL GEAR 40		1	*		
011-1	227920-5	SPIRAL BEVEL GEAR 40	S	1			
012	213507-9	O RING 40		1			
013	257440-5	SLEEVE 17		1			
014	211278-2	BALL BEARING 6203DDW		1			
015	327106-2	SPINDLE		1			
016	285842-5	BEARING RETAINER 36-43		1			
017	763250-5	DRILL CHUCK S-13		1			
018	251463-5	- FLAT HEAD SCREW M6X22		1			
019	140A22-5	GEAR HOUSING COMPLETE		1			
C10	233326-7	COMPRESSION SPRING 5		8			
C20	256393-5	SHOULDER PIN 5-8.5		8			
C30	347364-4	GUIDE PLATE		1			
C40	265148-7	TORX SOCKET HEAD SCREW M5X14		6			
D10		INC. 12,26					
020	265695-8	H. S. H. BOLT M5X30 WITH WRM		4	*		
020-1	265D08-7	H. S. H. BOLT M5X30 WITH WRM	O	4	*		
020-2	265D24-9	H. S. H. BOLT M5X30 WITH WRM	O	4			
024	216022-2	STEEL BALL 7.0		8			
026	213755-0	O RING 75		1			
027	253411-0	FLAT WASHER 6		1			
028	140A23-3	SPIRAL BEVEL GEAR 13 COMPLETE		1	*		
D10		INC. 29					
028-1	136563-1	SPIRAL BEVEL GEAR 13 ASS'Y	S	1			
D10		INC. 29					
029	211206-7	BALL BEARING 6202LLB		1			
030	962153-2	RETAINING RING R-35		1			
031	140A13-6	CARRIER A COMPLETE		1			
032	226176-7	SPUR GEAR 13		3			
033	226177-5	INTERNAL GEAR 40		1			
034	223188-1	CAM		1			
035	347365-2	WASHER 65		1			
036	140A16-0	GEAR CASE COMPLETE		1			

037	226175-9	SPUR GEAR 14		1		
038	310876-0	CHANGE RING		1		
039	253215-0	FLAT WASHER 8		1		
040	347366-0	CHANGE GUIDE		1		
041	231657-8	TORSION SPRING 6		1		
042	265628-3	+ BINDING HEAD SCREW M5		1		
043	140A14-4	CARRIER B COMPLETE		1		
044	226174-1	INTERNAL GEAR 71		1		
045	140A12-8	SPUR GEAR 29 COMPLETE		3		
046	253412-8	FLAT WASHER 15		1		
047	213755-0	O RING 75		1		
048	140A20-9	MOTOR BRACKET COMPLETE		1		
D10		INC. 47,49				
049	213406-5	O RING 30		1		
050	961058-3	RETAINING RING (EXT) S-18		1		
051	213265-7	O RING 17		1		
052	458433-7	CHANGE LEVER		1		
053	233279-0	COMPRESSION SPRING 4		1		
054	458434-5	LOCK BUTTON		1		
055	211087-9	BALL BEARING 6200DDW		1		
056	519526-6	ROTOR ASSY		1	*	
D10		INC. 55,57				
056-1	519689-8	ROTOR ASSY	O	1	*	
D10		INC. 55,57				
056-2	519689-8	ROTOR ASSY	O	1		
D10		INC. 55,57				
057	211022-7	BALL BEARING 607ZZ		1		
058	266326-2	TAPPING SCREW 4X18		2		
059	458427-2	BAFFLE PLATE		1		
060	629356-8	STATOR		1	*	
060-1	629B69-3	STATOR	S	1		
061	458426-4	MOTOR HOUSING		1		
062	265695-8	H. S. H. BOLT M5X30 WITH WRM		4	*	
062-1	265D08-7	H. S. H. BOLT M5X30 WITH WRM	O	4	*	
062-2	265D24-9	H. S. H. BOLT M5X30 WITH WRM	O	4		
063	140A19-4	SWITCH CIRCUIT COMPLETE		1		
C10	810D46-0	SWITCH LABEL		1		
064	183J58-5	HANDLE SET		1	*	
C10	263005-3	RUBBER PIN 6		4	*	
C20	347379-1	KEY HOLDER		1	*	
D10		INC. 70				
064-1	183R46-0	HANDLE SET	O	1		
C10	263005-3	RUBBER PIN 6		4		
C20	347379-1	KEY HOLDER		1		
D10		INC. 70				
065	620839-1	LED CIRCUIT		1		
066	266326-2	TAPPING SCREW 4X18		12		
067	458432-9	F/R CHANGE LEVER		1		
068	650710-5	SWITCH C3JW-4B		1		
069	620838-3	CONTROLLER		1	*	
069-1	620P55-1	CONTROLLER	<	1		
070	183J58-5	HANDLE SET		1	*	

C10	263005-3	RUBBER PIN 6		4	*		
C20	347379-1	KEY HOLDER		1	*		
D10		INC. 64					
070-1	183R46-0	HANDLE SET	O	1			
C10	263005-3	RUBBER PIN 6		4			
C20	347379-1	KEY HOLDER		1			
D10		INC. 64					
071	644809-6	TERMINAL		2			
072	854K90-9	DDA460 SERIAL NO. LABEL		1			
073	854K86-0	DDA460 NAME PLATE		1			
074	212193-3	NEEDLE CAGE 5810		3			
075	267010-2	FLAT WASHER 5		1			
076	620K74-7	CONTROLLER B	S	1			
077	652119-7	PAN HEAD SCREW M2X6	S	6			
078	638A31-1	LEAD UNIT	S	1			
A01	126802-7	GRIP ASSEMBLY		1	*		
A01-1	122A18-8	GRIP ASSEMBLY	O	1			
A02	763251-3	CHUCK KEY S-13		1			
A03	783204-6	HEX. WRENCH 6		1			
A05	821737-4	PLASTIC CASE		1			
C10	162271-8	LATCH		2			

Please state Parts No. when your order.

Print Date 02/15/2024