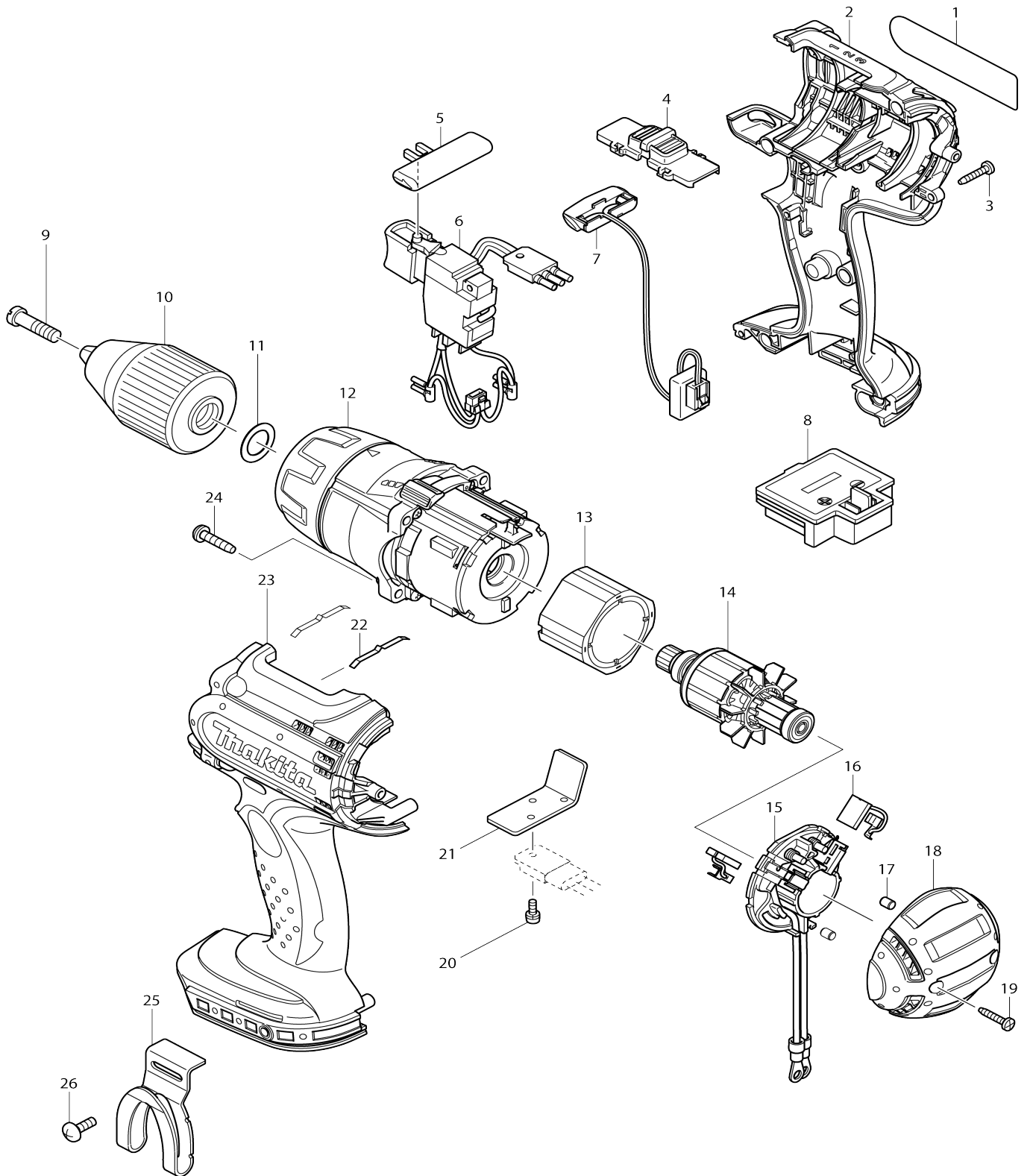


Model No.DDF441 CORDLESS DRIVER DRILL 13MM



Model No.DDF441 CORDLESS DRIVER DRILL 13MM

Item No.	Parts No.	Description	Interchangeability	Q'ty	New/Old	Note1	Note2
001	815P64-5	DDF441 NAME PLATE		1			
002	187142-8	HOUSING SET		1	*		
D10		INC. 23					
002-1	183G51-1	HOUSING SET	<	1			
C10	263005-3	RUBBER PIN 6		2			
D10		INC. 23					
003	266130-9	TAPPING SCREW BIND PT 3X16		8			
004	125435-5	SPEED CHANGE LEVER ASS'Y		1			
C10	233438-6	COMPRESSION SPRING 4		2			
005	419250-0	F/R CHANGE LEVER		1			
006	650653-1	SWITCH TG553FSB-4B		1			
007	631688-1	LIGHT CIRCUIT		1			
008	643866-1	TERMINAL		1			
009	251468-5	- FLAT HEAD SCREW M6X22		1			
010	763196-5	KEYLESS DRILL CHUCK 13		1			
011	253798-0	FLAT WASHER 13		1			
012	125433-9	GEAR ASS'Y		1			
C10	419558-2	SPEED CHANGE RING		1			
C20	268199-9	PIN 1.4		2			
C30	450385-8	CHANGE LEVER		1			
013	638425-4	YOKE UNIT		1			
014	619164-5	ARMATURE		1			
015	638849-4	BRUSH HOLDER COMPLETE		1			
C10	231696-8	TORSION SPRING R		1			
C20	231697-6	TORSION SPRING L		1			
016	194427-5	CARBON BRUSH SET CB-440		1	*		
016-1	195021-6	CARBON BRUSH SET CB-440	O	1			
017	263032-0	RUBBER PIN 4		2			
018	419642-3	REAR COVER		1			
019	266130-9	TAPPING SCREW BIND PT 3X16		2			
020	911006-2	PAN HEAD SCREW M3X8		1	*		
020-1	652066-2	+PAN HEAD SCREW M3X9 WITH W	<	1			
021	689145-3	HEATSINK		1			
022	232220-0	LEAF SPRING		2			
023	187142-8	HOUSING SET		1	*		
D10		INC. 2					
023-1	183G51-1	HOUSING SET	<	1			
C10	263005-3	RUBBER PIN 6		2			
D10		INC. 2					
024	266045-0	TAPPING SCREW 4X20		4			
025	346317-0	HOOK		1			
026	251314-2	+ SCREW M4X12		1			
A01	123254-3	GRIP ASSEMBLY		1			
C10	154835-2	GRIP36 COMPLETE		1	*		
C11	154935-8	GRIP 36 COMPLETE	O	1			
C20	266750-9	SQUARE BOLT M8X100		1			
C30	345463-6	GRIP SPRING 60		1			

C40	453584-1	GRIP BASE 60		1		
A02	251314-2	+ SCREW M4X12		1		
A03	452947-8	BIT HOLDER		1		
A04	***DC18SC	DC18SC CHARGER		1		
A05	194065-3	BATTERY BL1430 SET		2	*	
A05-1	194065-3	BATTERY BL1430 SET	O	2	*	
A05-2	197616-1	BATTERY BL1430B SET	<	2	*	
A05-3	197616-1	BATTERY BL1430B SET	O	2		
A06	784637-8	+ BIT 2-45		2		
A07	824754-3	PLASTIC CASE		1		
C10	419216-0	HANDLE		1		
C20	417724-5	LATCH		2		
C30	419268-1	PLASTIC CASE LID		1		
C40	419269-9	PLATE		5		
C50	324667-3	SHAFT		1		
A08	803U77-8	DDF441SFE PLASTIC CASE LABEL		1		
A09	450128-8	BATTERY COVER		1		
F04	194654-4	HOOK SET		1		
C10	251314-2	+ SCREW M4X12		1		
C20	324705-1	HOOK		1		
F05	194649-7	BATTERY PROTECTOR		1		
C10	251314-2	+ SCREW M4X12		2		
F06-3	197622-6	BATTERY BL1430B SET(2PIECES)	O	1	*	
F07-3	197615-3	BATTERY BL1430B SET	O	1		
A04	***DC18RC	DC18RC FAST CHARGER		1		
A07	140354-4	PLASTIC CASE COMPLETE		1		
A08	803U81-7	DDF441RFE PLASTIC CASE LABEL		1		
002	187143-6	HOUSING SET		1	*	
002-1	183G59-5	HOUSING SET	<	1		
018	419929-3	REAR COVER		1		
023	187143-6	HOUSING SET		1	*	
023-1	183G59-5	HOUSING SET	<	1		
A08	803U83-3	DDF441RFEW PLASTIC CASE LABEL		1		
A07	821550-0	CONNECTOR PLASTIC CASE (TYPE2)		1		
C10	453974-8	LATCH		4		
A08	837916-4	INNER TRAY		1		
A10	803U73-6	DDF441RFJ INDICATION LABEL		1		
A11	803U75-2	DDF441RFJ PLASTIC CASE LABEL		2		
A10	803U74-4	DDF441ZJ INDICATION LABEL		1		
A11	803U76-0	DDF441ZJ PLASTIC CASE LABEL		2		

Please state Parts No. when your order.

Print Date 11/16/2023