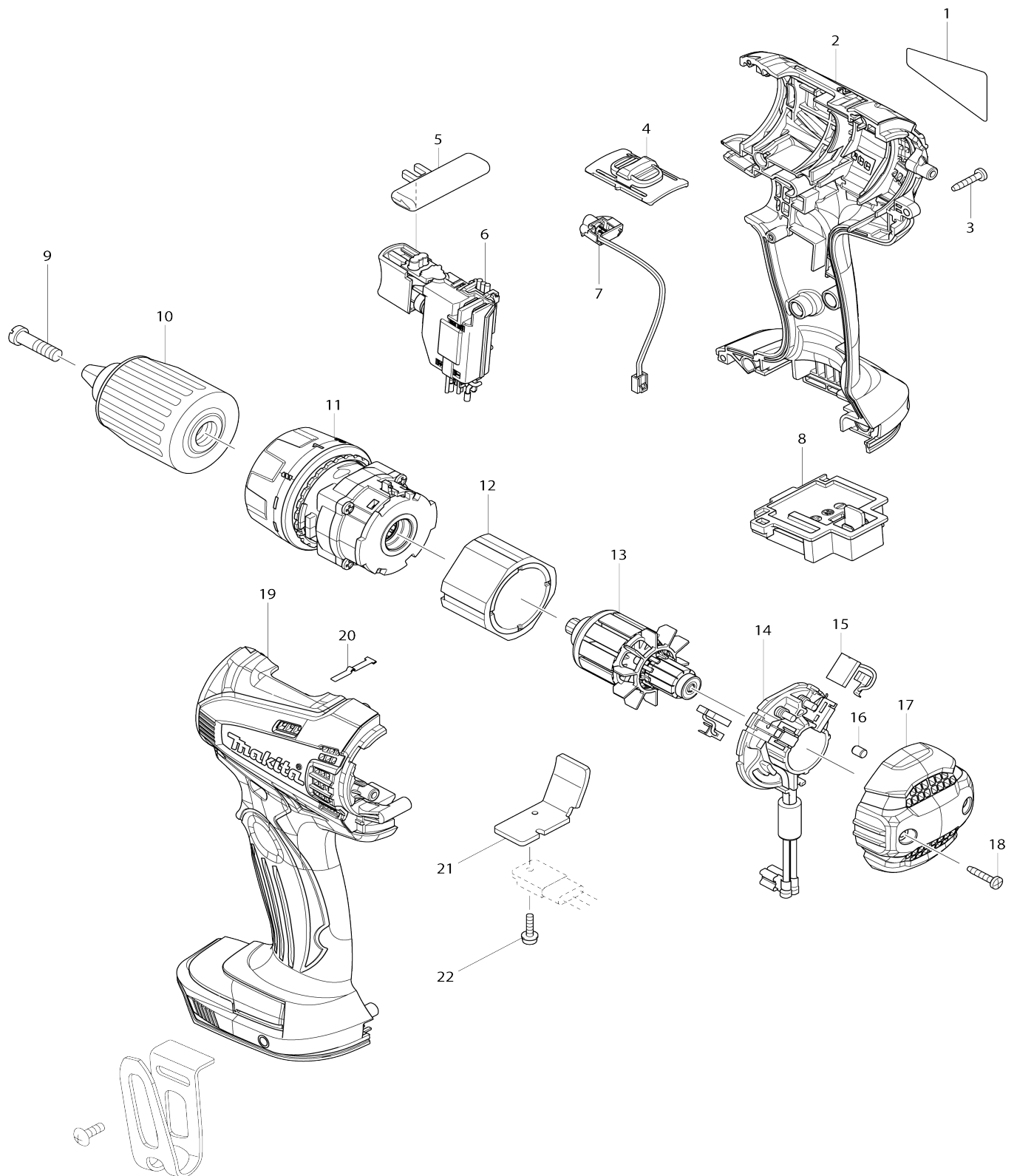


Model No.DDF446 CORDLESS DRIVER DRILL



Model No.DDF446 CORDLESS DRIVER DRILL

Item No.	Parts No.	Description	Interchangeability	Q'ty	New/Old	Note1	Note2
001	815R16-8	DDF446 NAME PLATE		1			
002	187071-5	HOUSING SET		1			
D10		INC. 19					
003	266429-2	TAPPING SCREW 3X16		9			
004	126289-3	SPEED CHANGE LEVER ASSEMBLY		1			
C10	233438-6	COMPRESSION SPRING 4		2			
005	419250-0	F/R CHANGE LEVER		1			
006	650731-7	SWITCH C3HZ-1A-TLMS		1	*		
006-1	650747-2	SWITCH C3HA-Z1A-TLMS	<	1			
007	620012-3	LED CIRCUIT		1	*		
007-1	620388-8	LED CIRCUIT	O	1			
008	643866-1	TERMINAL		1			
009	251468-5	- FLAT HEAD SCREW M6X22		1			
010	763175-3	KEYLESS DRILL CHUCK 13		1	*		
010-1	766027-7	KEYLESS DRILL CHUCK 13	<	1			
011	126459-4	GEAR ASSEMBLY		1			
012	638425-4	YOKE UNIT		1	*		
012-1	632J71-5	YOKE UNIT	<	1			
013	619287-9	ARMATURE		1			
014	638845-2	BRUSH HOLDER COMPLETE		1			
C10	688161-2	LINE FILTER		1			
C20	654874-7	RECEPTACLE		2			
015	194427-5	CARBON BRUSH SET CB-440		1	*		
015-1	195021-6	CARBON BRUSH SET CB-440	O	1			
016	263032-0	RUBBER PIN 4		2			
017	452205-2	REAR COVER		1			
018	266429-2	TAPPING SCREW 3X16		2			
019	187071-5	HOUSING SET		1			
D10		INC. 2					
020	232182-2	LEAF SPRING		1			
021	689170-4	HEAT SINK		1			
022	911013-5	PAN HEAD SCREW M3X10		1			
A01	251314-2	+ SCREW M4X12		1			
A02	346317-0	HOOK		1			
A03	784637-8	+ BIT 2-45		1			
F04-1	199154-9	KEYLESS DRILL CHUCK 13 SET	O	1			
F06-2	196875-4	BATTERY BL1415N SET	O	1			
F07-2	196877-0	BATTERY BL1415N SET	O	1			
A04	140354-4	PLASTIC CASE COMPLETE		1			
C10	419216-0	HANDLE		1			
C20	417724-5	LATCH		2			
C30	419268-1	PLASTIC CASE LID		1			
C40	419269-9	PLATE		5			
C50	324667-3	SHAFT		1			
A05	450128-8	BATTERY COVER		1			
A06	***DC18RC	DC18RC FAST CHARGER		1			
A07	194065-3	BATTERY BL1430 SET		2	*		

A07-1	194065-3	BATTERY BL1430 SET	O	2	*		
A07-2	197616-1	BATTERY BL1430B SET	<	2	*		
A07-3	197616-1	BATTERY BL1430B SET	O	2			
A08	803V67-7	DDF446RFE PLASTIC CASE LABEL		1			
A04	141856-3	PLASTIC CARRYING CASE COMPLETE		1			
C10	162302-3	LATCH		2			
C20	324207-7	SHAFT		1			
C30	451749-9	HANDLE		1			
A06	***DC18SD	DC18SD BATTERY CHARGER		1			
A08	803V65-1	DDF446SFE PLASTIC CASE LABEL		1			
A04	821550-0	CONNECTOR PLASTIC CASE (TYPE2)		1			
C10	453974-8	LATCH		4			
A08	837916-4	INNER TRAY		1			
A09	803V43-1	DDF446RFJ INDICATION LABEL		1			
A10	803V44-9	DDF446RFJ PLASTIC CASE LABEL		2			
A09	803V45-7	DDF446ZJ INDICATION LABEL		1			
A10	803V46-5	DDF446ZJ PLASTIC CASE LABEL		2			
A07	196388-5	BATTERY BL1440 SET		2	*		
A07-1	196388-5	BATTERY BL1440 SET	O	2	*		
A07-2	196388-5	BATTERY BL1440 SET	O	2			
A09	803V71-6	DDF446RMJ INDICATION LABEL		1			
A10	803V72-4	DDF446RMJ PLASTIC CASE LABEL		2			

Please state Parts No. when your order.

Print Date 11/17/2023