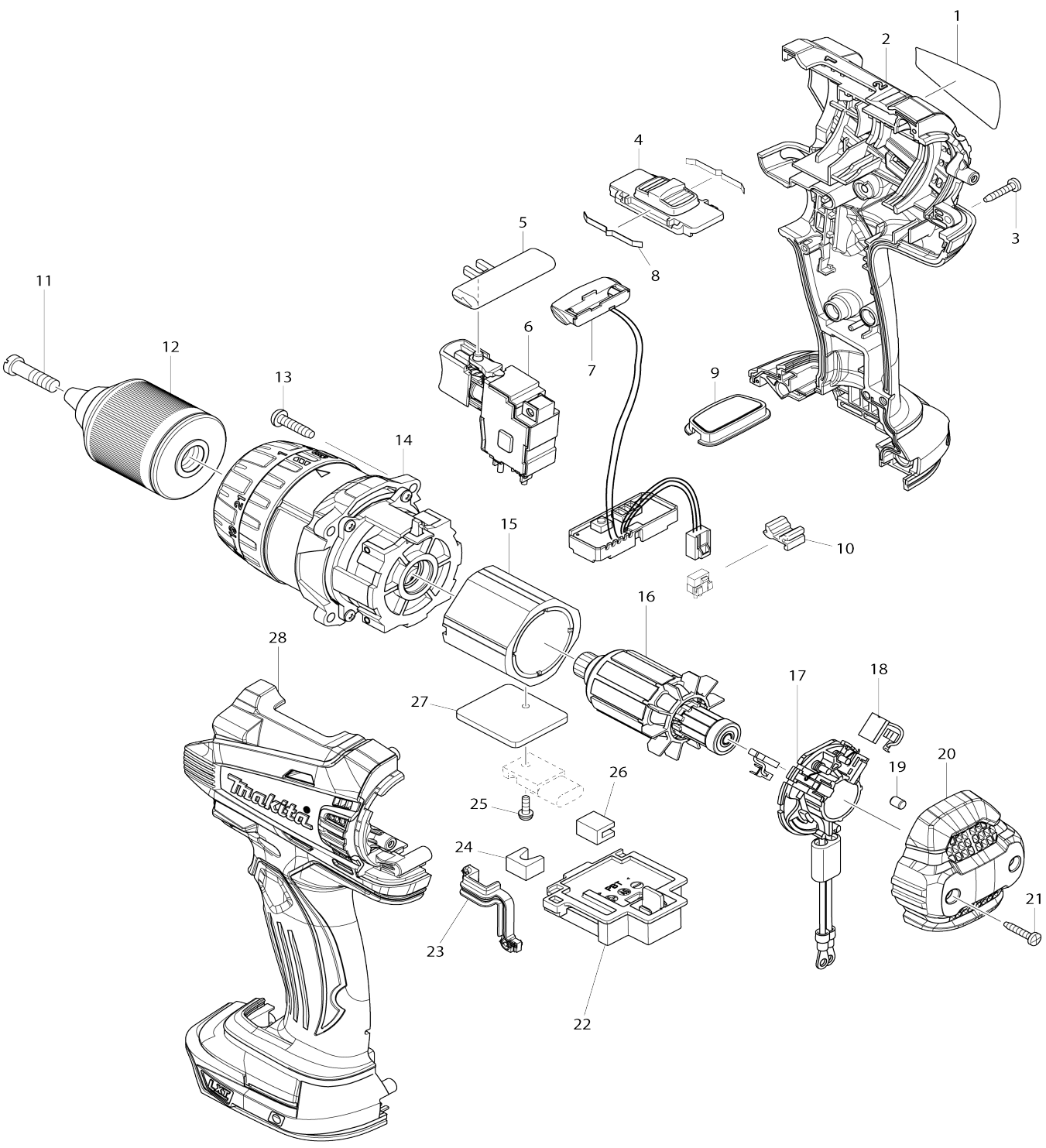


Model No.DDF448 CORDLESS DRIVER DRILL



Model No.DDF448 CORDLESS DRIVER DRILL

Item No.	Parts No.	Description	Interchangability	Q'ty	New/Old	Note1	Note2
001	815P70-0	DDF448 NAME PLATE		1			
002	187430-3	HOUSING SET		1			
C10	263005-3	RUBBER PIN 6		2			
C20	252126-6	HEX. LOCK NUT M4-7		2			
D10		INC. 28					
003	266130-9	TAPPING SCREW BIND PT 3X16		7			
004	126100-9	SPEED CHANGE LEVER ASSEMBLY		1			
C10	233438-6	COMPRESSION SPRING 4		2			
005	419250-0	F/R CHANGE LEVER		1			
006	650724-4	SWITCH TG573FSB-3		1	*		
006-1	650724-4	SWITCH TG573FSB-3	O	1			
007	620137-3	LIGHT CIRCUIT		1			
008	232220-0	LEAF SPRING		2			
009	140963-9	SWITCH PLATE COMPLETE		1			
010	424476-1	CUSHION		1			
011	251468-5	- FLAT HEAD SCREW M6X22		1			
012	766015-4	KEYLESS DRILL CHUCK 13		1	*		
012-1	763248-2	KEYLESS DRILL CHUCK 13	<	1	*		
012-2	763252-1	KEYLESS DRILL CHUCK 13	O	1			
013	265995-6	TAPPING SCREW 4X18		4			
014	126098-0	GEAR ASSEMBLY		1			
015	638989-8	YOKE UNIT		1			
016	619299-2	ARMATURE		1			
017	638991-1	BRUSH HOLDER COMPLETE		1			
C10	688172-7	LINE FILTER		1			
018	194427-5	CARBON BRUSH SET CB-440		1	*		
018-1	195021-6	CARBON BRUSH SET CB-440	O	1			
019	263032-0	RUBBER PIN 4		2			
020	453394-6	REAR COVER		1			
021	266130-9	TAPPING SCREW BIND PT 3X16		2			
022	643866-1	TERMINAL		1			
023	424430-5	SEAL		1			
024	423422-1	SPONGE A		1			
025	911013-5	PAN HEAD SCREW M3X10		1			
026	423423-9	SPONGE B		1			
027	689176-2	HEAT SINK		1			
028	187430-3	HOUSING SET		1			
C10	263005-3	RUBBER PIN 6		2			
C20	252126-6	HEX. LOCK NUT M4-7		2			
D10		INC. 2					
A01	123258-5	GRIP ASSEMBLY		1			
C10	154935-8	GRIP 36 COMPLETE		1			
C20	266899-5	SQUARE BOLT M8X140		1			
C30	346566-9	GRIP SPRING 60		1			
C40	455189-3	GRIP BASE 60		1			
A02	251314-2	+ SCREW M4X12		2			
A03	346317-0	HOOK		1			

A04	452947-8	BIT HOLDER		1		
A05	784637-8	+ - BIT 2-45		2		
A06	***DC18RC	DC18RC FAST CHARGER		1		
A07	194065-3	BATTERY BL1430 SET		2	*	
A07-1	194065-3	BATTERY BL1430 SET	O	2	*	
A07-2	197616-1	BATTERY BL1430B SET	<	2	*	
A07-3	197616-1	BATTERY BL1430B SET	O	2		
A08	450128-8	BATTERY COVER		1		
A09	821550-0	CONNECTOR PLASTIC CASE (TYP E2)		1		
C10	453974-8	LATCH		4		
A10	837916-4	INNER TRAY		1		
A11	803U96-4	DDF448RFJ PLASTIC CASE LABEL		2		
A12	803V00-9	DDF448RFJ INDICATION LABEL		1		
F03-3	197622-6	BATTERY BL1430B SET(2PIECES)	O	1	*	
F04-3	197615-3	BATTERY BL1430B SET	O	1		
F05	195797-5	BATTERY PROTECTOR SET		1		
A11	803U97-2	DDF448ZJ PLASTIC CASE LABEL		2		
A12	803V01-7	DDF448ZJ INDICATION LABEL		1		
A07	196388-5	BATTERY BL1440 SET		2	*	
A07-1	196388-5	BATTERY BL1440 SET	O	2	*	
A07-2	196388-5	BATTERY BL1440 SET	O	2		
A11	803V04-1	DDF448RMJ PLASTIC CASE LABEL		2		
A12	803V05-9	DDF448RMJ INDICATION LABEL		1		

Please state Parts No. when your order.

Print Date 01/29/2024