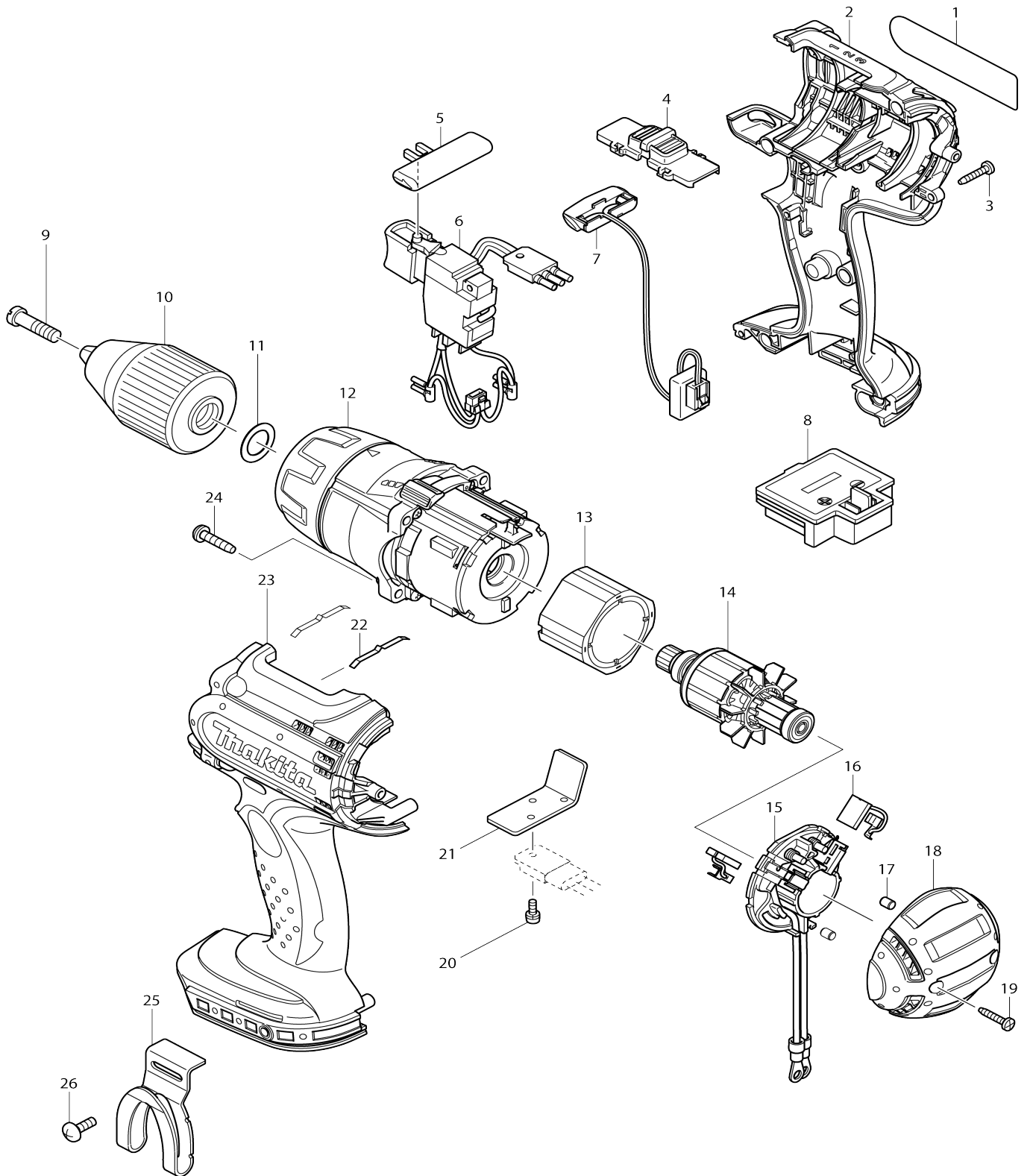


Model No.DDF451 CORDLESS DRIVER DRILL 13MM



Model No.DDF451 CORDLESS DRIVER DRILL 13MM

Item No.	Parts No.	Description	Interchangability	Q'ty	New/Old	Note1	Note2
001	815C61-3	DDF451 NAME PLATE		1			
002	187142-8	HOUSING SET		1	*		
D10		INC. 23					
002-1	183G51-1	HOUSING SET	<	1			
C10	263005-3	RUBBER PIN 6		2			
D10		INC. 23					
003	266130-9	TAPPING SCREW BIND PT 3X16		8			
004	125435-5	SPEED CHANGE LEVER ASS'Y		1			
C10	233438-6	COMPRESSION SPRING 4		2			
005	419250-0	F/R CHANGE LEVER		1			
006	650653-1	SWITCH TG553FSB-4B		1			
007	631692-0	LIGHT CIRCUIT		1			
008	644808-8	TERMINAL		1			
009	251468-5	- FLAT HEAD SCREW M6X22		1			
010	763196-5	KEYLESS DRILL CHUCK 13		1			
011	253798-0	FLAT WASHER 13		1			
012	125433-9	GEAR ASS'Y		1			
C10	419558-2	SPEED CHANGE RING		1			
C20	268199-9	PIN 1.4		2			
C30	450385-8	CHANGE LEVER		1			
013	638425-4	YOKE UNIT		1	*		
013-1	632J71-5	YOKE UNIT	<	1			
014	619165-3	ARMATURE		1			
015	638849-4	BRUSH HOLDER COMPLETE		1			
C10	231696-8	TORSION SPRING R		1			
C20	231697-6	TORSION SPRING L		1			
016	194427-5	CARBON BRUSH SET CB-440		1	*		
016-1	195021-6	CARBON BRUSH SET CB-440	O	1			
017	263032-0	RUBBER PIN 4		2			
018	419642-3	REAR COVER		1			
019	266130-9	TAPPING SCREW BIND PT 3X16		2			
020	911006-2	PAN HEAD SCREW M3X8		1	*		
020-1	652066-2	+PAN HEAD SCREW M3X9 WITH W	<	1			
021	689145-3	HEATSINK		1			
022	232220-0	LEAF SPRING		2			
023	187142-8	HOUSING SET		1	*		
D10		INC. 2					
023-1	183G51-1	HOUSING SET	<	1			
C10	263005-3	RUBBER PIN 6		2			
D10		INC. 2					
024	266045-0	TAPPING SCREW 4X20		4			
025	346317-0	HOOK		1			
026	251314-2	+ SCREW M4X12		1			
A01	123167-8	GRIP ASSEMBLY		1	*		
C10	154835-2	GRIP36 COMPLETE		1	*		
C20	266724-0	SQUARE BOLT M8X75		1	*		
C30	345463-6	GRIP SPRING 60		1	*		

C40	453037-0	GRIP BASE 60		1	*		
A01-1	123254-3	GRIP ASSEMBLY	<	1			
C10	154935-8	GRIP 36 COMPLETE		1			
C20	266750-9	SQUARE BOLT M8X100		1			
C30	345463-6	GRIP SPRING 60		1			
C40	453584-1	GRIP BASE 60		1			
A02	251314-2	+ SCREW M4X12		1			
A03	452947-8	BIT HOLDER		1			
A04	784637-8	+ - BIT 2-45		2			
A05	140354-4	PLASTIC CASE COMPLETE		1			
C10	419216-0	HANDLE		1			
C20	417724-5	LATCH		2			
C30	419268-1	PLASTIC CASE LID		1			
C40	419269-9	PLATE		5			
C50	324667-3	SHAFT		1			
A06	450128-8	BATTERY COVER		1			
A07	***DC18RC	DC18RC FAST CHARGER		1			
A08	194204-5	BATTERY BL1830 SET		2	*		
A08-1	194204-5	BATTERY BL1830 SET	O	2	*		
A08-2	197600-6	BATTERY BL1830B SET	<	2	*		
A08-3	197600-6	BATTERY BL1830B SET	O	2			
A09	802R00-2	DDF451RFE PLASTIC CASE LABEL		1	*		
A09-1	808A31-7	DDF451RFE PLASTIC CASE LABEL	O	1			
F11	194654-4	HOOK SET		1			
C10	251314-2	+ SCREW M4X12		1			
C20	324705-1	HOOK		1			
F12	194649-7	BATTERY PROTECTOR		1			
C10	251314-2	+ SCREW M4X12		2			
F13-3	197606-4	BATTERY BL1830B SET (2PIECES)	O	1	*		
F16-3	197600-6	BATTERY BL1830B SET	O	1			
F17-4	197599-5	BATTERY BL1830B SET	O	1			
F18-2	196235-0	BATTERY BL1815N SET	O	1			
F19-1	196449-1	BATTERY BL1815N SET	O	1			
F20-2	196449-1	BATTERY BL1815N SET	O	1			
A05	821550-0	CONNECTOR PLASTIC CASE (TYP E2)		1			
C10	453974-8	LATCH		4			
A09	837916-4	INNER TRAY		1			
A10	802P89-8	DDF451RFJ INDICATION LABEL		1			
A11	802P91-1	DDF451RFJ PLASTIC CASE LABEL		2	*		
A11-1	808V60-6	DDF451RFJ PLASTIC CASE LABEL	O	2			
A06	837916-4	INNER TRAY		1			
A07	802P90-3	DDF451ZJ INDICATION LABEL		1			
A08	802P92-9	DDF451ZJ PLASTIC CASE LABEL		2			
A08	196399-0	BATTERY BL1840 SET		2	*		
A08-1	196399-0	BATTERY BL1840 SET	O	2	*		
A08-2	197265-4	BATTERY BL1840B SET	<	2	*		
A08-3	197265-4	BATTERY BL1840B SET	O	2			
A09	802P94-5	DDF451RME PLASTIC CASE LABEL		1	*		
A09-1	807C73-0	DDF451RME PLASTIC CASE LABEL	O	1			

A10	802R06-0	DDF451RMJ INDICATION LABEL		1			
A11	802R07-8	DDF451RMJ PLASTIC CASE LABEL		2			

Please state Parts No. when your order.

Print Date 01/29/2024