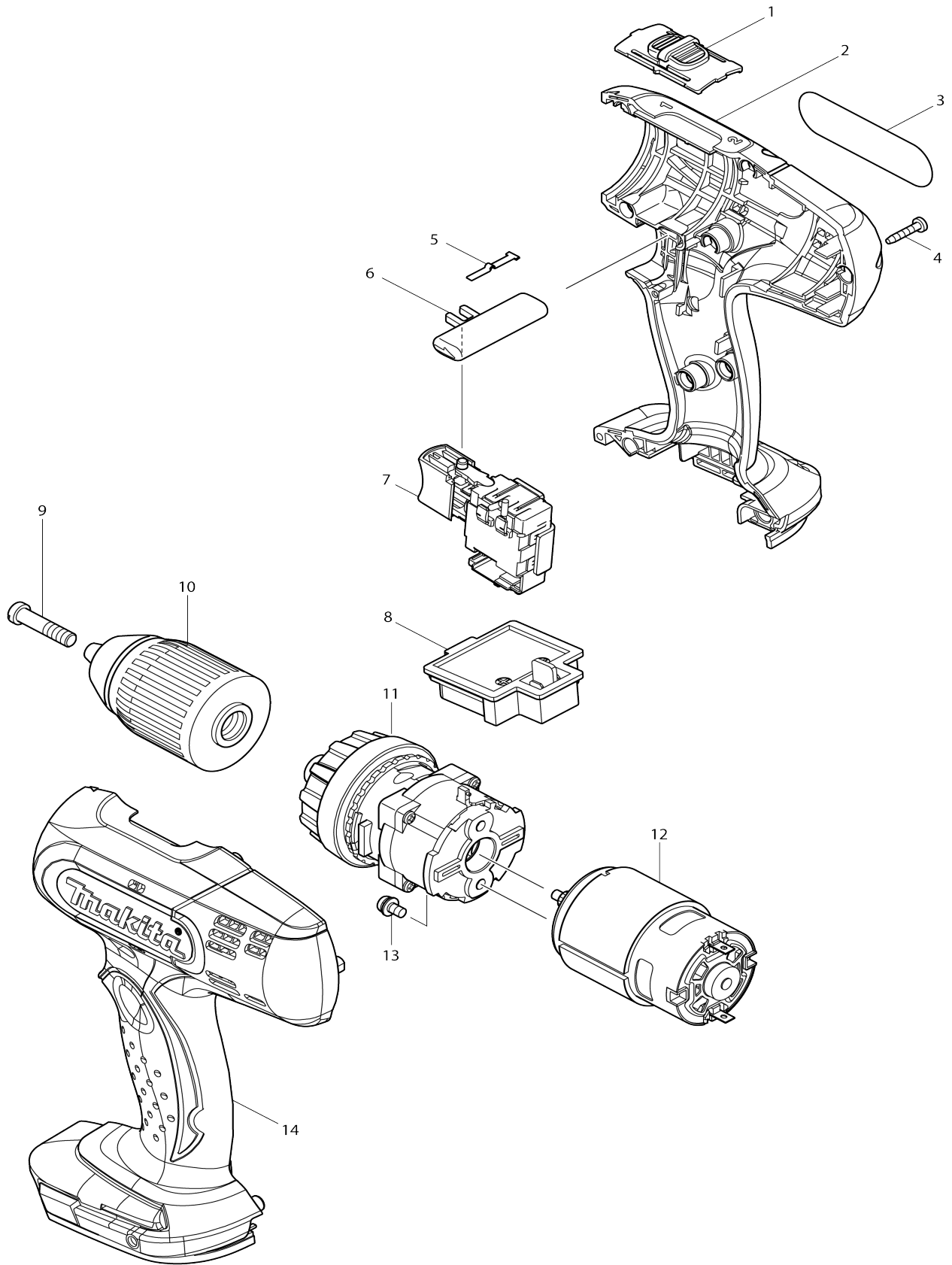


Model No.DDF453 CORDLESS DRIVER DRILL 13MM



Model No.DDF453 CORDLESS DRIVER DRILL 13MM

Item No.	Parts No.	Description	Interchangeability	Q'ty	New/Old	Note1	Note2
001	125310-5	SPEED CHANGE LEVER ASS'Y		1			
C10	231433-0	COMPRESSION SPRING 4		2			
002	187363-2	HOUSING SET		1			
D10		INC. 14					
003	815G82-9	DDF453 NAME PLATE		1			
004	266130-9	TAPPING SCREW BIND PT 3X16		9			
005	232182-2	LEAF SPRING		1			
006	419250-0	F/R CHANGE LEVER		1			
007	632A23-2	SWITCH UNIT		1			
C10	654208-4	RECEPTACLE		2			
008	643852-2	TERMINAL		1			
009	251468-5	- FLAT HEAD SCREW M6X22		1			
010	766004-9	KEYLESS DRILL CHUCK 13		1			
011	125483-4	GEAR ASS'Y		1			
012	629937-8	DC MOTOR		1			
013	911108-4	PAN HEAD SCREW M4X8		2			
014	187363-2	HOUSING SET		1			
D10		INC. 2					
A01	784636-0	+ - BIT 2-65		1			
A02	***DC18RC	DC18RC FAST CHARGER		1			
A03	194204-5	BATTERY BL1830 SET		2	*		
A03-1	194204-5	BATTERY BL1830 SET	O	2	*		
A03-2	197600-6	BATTERY BL1830B SET	<	2	*		
A03-3	197600-6	BATTERY BL1830B SET	O	2			
A04	450128-8	BATTERY COVER		1			
A05	158777-2	PLASTIC CARRYING CASE		1			
C10	163455-1	LATCH		2			
C20	419360-3	HANDLE		1			
E02	688165-4	LINE FILTER		1			
F01	194649-7	BATTERY PROTECTOR		1			
C10	251314-2	+ SCREW M4X12		2			
F02	196306-3	KEYLESS DRILL CHUCK 13 SET		1			
F03-1	196235-0	BATTERY BL1815N SET	O	1			
F04	194654-4	HOOK SET		1			
F07-2	196235-0	BATTERY BL1815N SET	O	1			
F08-1	196449-1	BATTERY BL1815N SET	O	1			
F09-2	196449-1	BATTERY BL1815N SET	O	1			
A02	***DC18SD	DC18SD BATTERY CHARGER		1			
A03	194513-2	BATTERY BL1815 SET		2			
A02-1	***DC18SD	DC18SD BATTERY CHARGER	O	1			
A03	196460-3	BATTERY BL1820 SET		2	*		
A03-1	197254-9	BATTERY BL1820B SET	<	2	*		
A03-2	197254-9	BATTERY BL1820B SET	O	2			
A03	196235-0	BATTERY BL1815N SET		2	*		
A03-1	196235-0	BATTERY BL1815N SET	O	2			
A05	821550-0	CONNECTOR PLASTIC CASE (TYP E2)		1			
C10	453974-8	LATCH		4			

A06	837863-9	INNER TRAY		1		
A07	803A95-6	DDF453SHJ PLASTIC CASE LABEL		2		
A08	803A97-2	DDF453SHJ INDICATION LABEL		1		
A07	803B07-5	DDF453SYJ PLASTIC CASE LABEL		2		
A08	803B06-7	DDF453SYJ INDICATION LABEL		1		
A07	803J01-5	DDF453RAJ PLASTIC CASE LABEL		2		
A08	803J00-7	DDF453RAJ INDICATION LABEL		1		
A07	803B03-3	DDF453RYJ PLASTIC CASE LABEL		2		
A08	803B02-5	DDF453RYJ INDICATION LABEL		1		
A03-1	197600-6	BATTERY BL1830B SET		2	*	
A05	196380-1	TOOL CHEST		1		
A05	821695-4	PLASTIC CASE		1	*	
C10	452143-8	SHAFT		2	*	
C20	455522-9	SLIDE LATCH		2	*	
A05-1	186368-9	PLASTIC CASESET WITH BIT	S	1		
C10	452143-8	SHAFT		2		
C20	455522-9	SLIDE LATCH		2		
A06	D-52299	74PCS. BIT SET, MM, TYPE MZ		1	*	
011-1	125483-4	GEAR ASSY		1		
D10		COMPO-PARTS				
D10		COMPO-PARTS				
A03	197600-6	BATTERY BL1830B SET		1	*	

Please state Parts No. when your order.

Print Date 10/19/2023