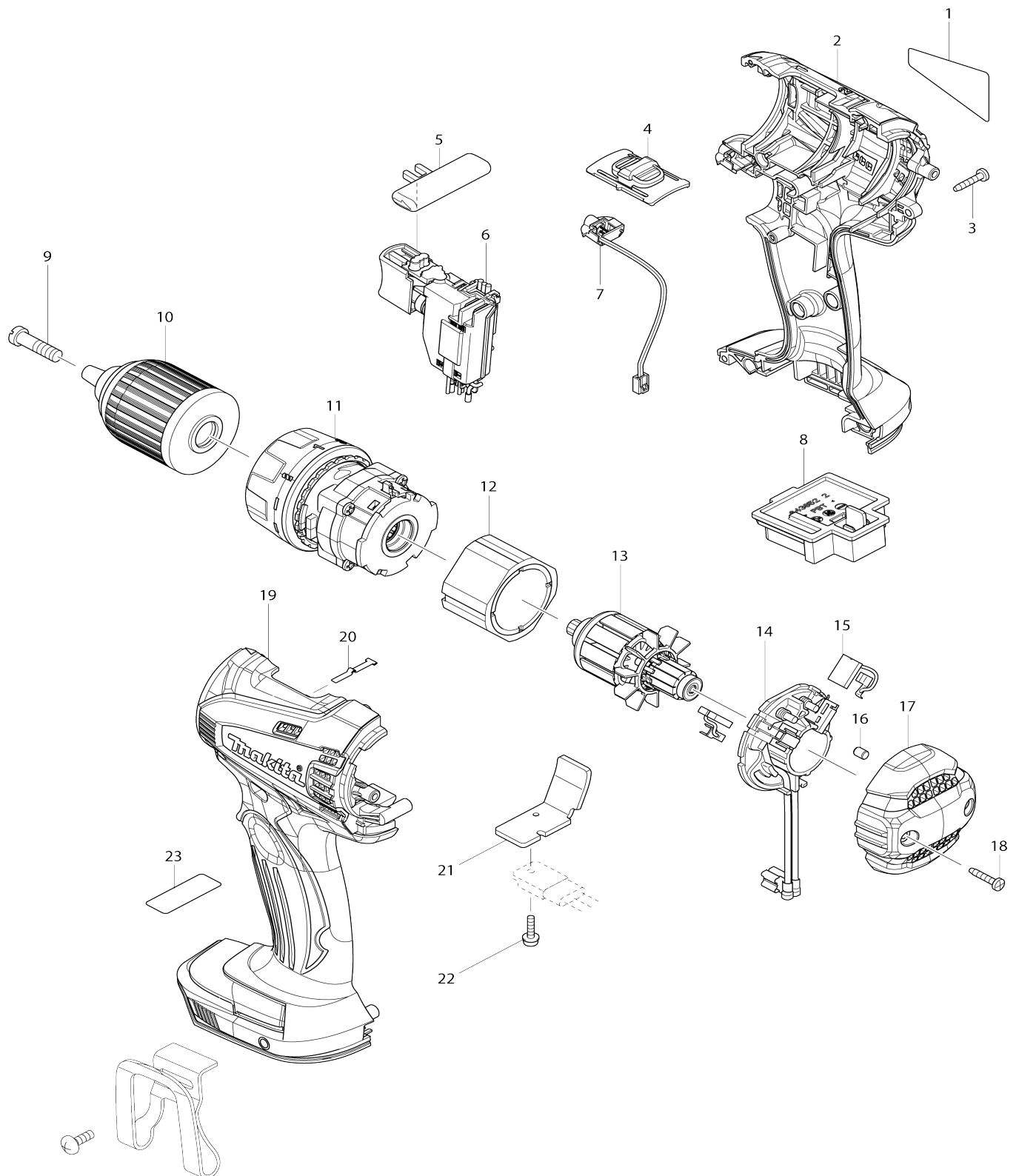


Model No.DDF456 CORDLESS DRIVER DRILL



Model No.DDF456 CORDLESS DRIVER DRILL

Item No.	Parts No.	Description	Interchangability	Q'ty	New/Old	Note1	Note2
001	815C16-8	DDF456 NAME PLATE		1			
002	188932-2	HOUSING SET		1			
D10		INC. 19					
003	266429-2	TAPPING SCREW 3X16		9			
004	126289-3	SPEED CHANGE LEVER ASSEMBLY		1			
C10	233438-6	COMPRESSION SPRING 4		2			
005	419250-0	F/R CHANGE LEVER		1			
006	650637-9	SWITCH		1	*		
006-1	650731-7	SWITCH C3HZ-1A-TLMS	<	1	*		
006-2	650747-2	SWITCH C3HA-Z1A-TLMS	<	1			
007	620012-3	LED CIRCUIT		1	*		
007-1	620388-8	LED CIRCUIT	O	1			
008	643852-2	TERMINAL		1			
009	251468-5	- FLAT HEAD SCREW M6X22		1			
010	763175-3	KEYLESS DRILL CHUCK 13		1	*		
010-1	766027-7	KEYLESS DRILL CHUCK 13	<	1			
011	125831-7	GEAR ASSEMBLY		1	*		
011-1	126459-4	GEAR ASSEMBLY	<	1			
012	638425-4	YOKE UNIT		1	*		
012-1	632J71-5	YOKE UNIT	<	1			
013	619263-3	ARMATURE		1			
014	638845-2	BRUSH HOLDER COMPLETE		1			
C20	654874-7	RECEPTACLE		2			
015	194427-5	CARBON BRUSH SET CB-440		1	*		
015-1	195021-6	CARBON BRUSH SET CB-440	O	1			
016	263032-0	RUBBER PIN 4		2			
017	452205-2	REAR COVER		1			
018	266429-2	TAPPING SCREW 3X16		2			
019	188932-2	HOUSING SET		1			
D10		INC. 2					
020	232182-2	LEAF SPRING		1			
021	689170-4	HEAT SINK		1			
022	911013-5	PAN HEAD SCREW M3X10		1			
A01	251314-2	+ SCREW M4X12		1			
A02	346317-0	HOOK		1			
A03	784637-8	+/- BIT 2-45		1			
A04	140354-4	PLASTIC CASE COMPLETE		1			
C10	419216-0	HANDLE		1			
C20	417724-5	LATCH		2			
C30	419268-1	PLASTIC CASE LID		1			
C40	419269-9	PLATE		5			
C50	324667-3	SHAFT		1			
A05	450128-8	BATTERY COVER		1			
A06	***DC18RC	DC18RC FAST CHARGER		1			
A07	194204-5	BATTERY BL1830 SET		2	*		
A07-1	194204-5	BATTERY BL1830 SET	O	2	*		
A07-2	197600-6	BATTERY BL1830B SET	<	2	*		

A07-3	197600-6	BATTERY BL1830B SET	O	2		
A08	802P40-8	DDF456RFE PLASTIC CASE LABEL		1		
F06	194513-2	BATTERY BL1815 SET		1		
F07	195445-6	BATTERY BL1815 SET		1		
F10	196013-8	BATTERY BL1815 SET		1		
F11	196014-6	BATTERY BL1815 SET		1		
F12-1	199154-9	KEYLESS DRILL CHUCK 13 SET	O	1		
F13-1	196235-0	BATTERY BL1815N SET	O	1		
F18-3	197254-9	BATTERY BL1820B SET	O	1		
F19-3	197254-9	BATTERY BL1820B SET	O	1		
F20-3	197256-5	BATTERY BL1820B SET	O	1		
F21-3	197256-5	BATTERY BL1820B SET	O	1		
F22-2	196235-0	BATTERY BL1815N SET	O	1		
F23-1	196449-1	BATTERY BL1815N SET	O	1		
F24-2	196449-1	BATTERY BL1815N SET	O	1		
A02	346449-3	HOOK		1		
A04	141856-3	PLASTIC CARRYING CASE COMPL ETE		1		
C10	162302-3	LATCH		2		
C20	324207-7	SHAFT		1		
C30	451749-9	HANDLE		1		
A07	194513-2	BATTERY BL1815 SET		2		
A08	802P28-8	DDF456RHE PLASTIC CASE LABEL		2		
A08	802P35-1	DDF456RFLE PLASTIC CASE LABE L		1		
A09	345261-8	HOOK PLATE		2		
A10	417926-3	STRAP G0970200500		1		
A11	STEXBML185	RECHARGEABLE JOB SITE LIGHT		1	*	
A11-1	DEADML185	RECHARGEABLE FLASHLIGHT	<	1		
002	188931-4	HOUSING SET		1		
017	452202-8	REAR COVER		1		
019	188931-4	HOUSING SET		1		
A04	158865-5	PLASTIC CARRYING CASE		1		
C40	451028-5	PLATE		5		
C50	450830-3	PLASTIC CASE LID		1		
A08	802P47-4	DDF456RFEW PLASTIC CASE LAB EL		1		
A04	821550-0	CONNECTOR PLASTIC CASE (TYP E2)		1		
C10	453974-8	LATCH		4		
A08	837916-4	INNER TRAY		1		
A09	802P19-9	DDF456RFJ INDICATION LABEL		1		
A10	802P49-0	DDF456RFJ PLASTIC CASE LABEL		2		
A05	837916-4	INNER TRAY		1		
A06	802P27-0	DDF456ZJ INDICATION LABEL		1		
A07	802P51-3	DDF456ZJ PLASTIC CASE LABEL		2		
A07	196399-0	BATTERY BL1840 SET		2	*	
A07-1	196399-0	BATTERY BL1840 SET	O	2	*	
A07-2	197265-4	BATTERY BL1840B SET	<	2	*	
A07-3	197265-4	BATTERY BL1840B SET	O	2		
A08	802P33-5	DDF456RME PLASTIC CASE LABE L		1		
A07	196460-3	BATTERY BL1820 SET		2	*	

A07-1	197254-9	BATTERY BL1820B SET	<	2	*		
A07-2	197254-9	BATTERY BL1820B SET	O	2			
A08	802P52-1	DDF456RAE PLASTIC CASE LABEL		2			
002	187559-5	HOUSING SET		1			
017	454145-0	REAR COVER		1			
019	187559-5	HOUSING SET		1			
A08	802P43-2	DDF456RFEB PLASTIC CASE LABEL		1			
A07	196235-0	BATTERY BL1815N SET		2	*		
A07-1	196235-0	BATTERY BL1815N SET	O	2			
A08	802P53-9	DDF456RYE PLASTIC CASE LABEL		2			
A09	802P21-2	DDF456RFWJ INDICATION LABEL		1			
A10	802P44-0	DDF456RFWJ PLASTIC CASE LABEL		2			
A04	821551-8	CONNECTOR PLASTIC CASE (TYPE3)		1			
A08	837893-0	INNER TRAY		1			
A12	802P16-5	DDF456RFLJ INDICATION LABEL		1			
A13	802P45-8	DDF456RFLJ PLASTIC CASE LABEL		2			
A08	837863-9	INNER TRAY		1			
A09	802P23-8	DDF456RHJ INDICATION LABEL		1			
A10	802P50-5	DDF456RHJ PLASTIC CASE LABEL		2			
A09	802P78-3	DDF456RMJ INDICATION LABEL		1			
A10	802P79-1	DDF456RMJ PLASTIC CASE LABEL		2			
A09	802P20-4	DDF456RF3J INDICATION LABEL		1			
A10	802P48-2	DDF456RF3J PLASTIC CASE LABEL		2			
A09	803G15-6	DDF456RYJ INDICATION LABEL		1			
A10	803G16-4	DDF456RYJ PLASTIC CASE LABEL		2			
A09	804W67-6	DDF456RAJ INDICATION LABEL		1			
A10	804W68-4	DDF456RAJ PLASTIC CASE LABEL		2			
A08	805T67-1	DDF456RMEW PLASTIC CASE LABEL		1			
A09	807T04-1	DDF456M3WJ INDICATION LABEL		1			
A10	807T05-9	DDF456M3WJ PLASTIC CASE LABEL		2			

Please state Parts No. when your order.

Print Date 11/17/2023