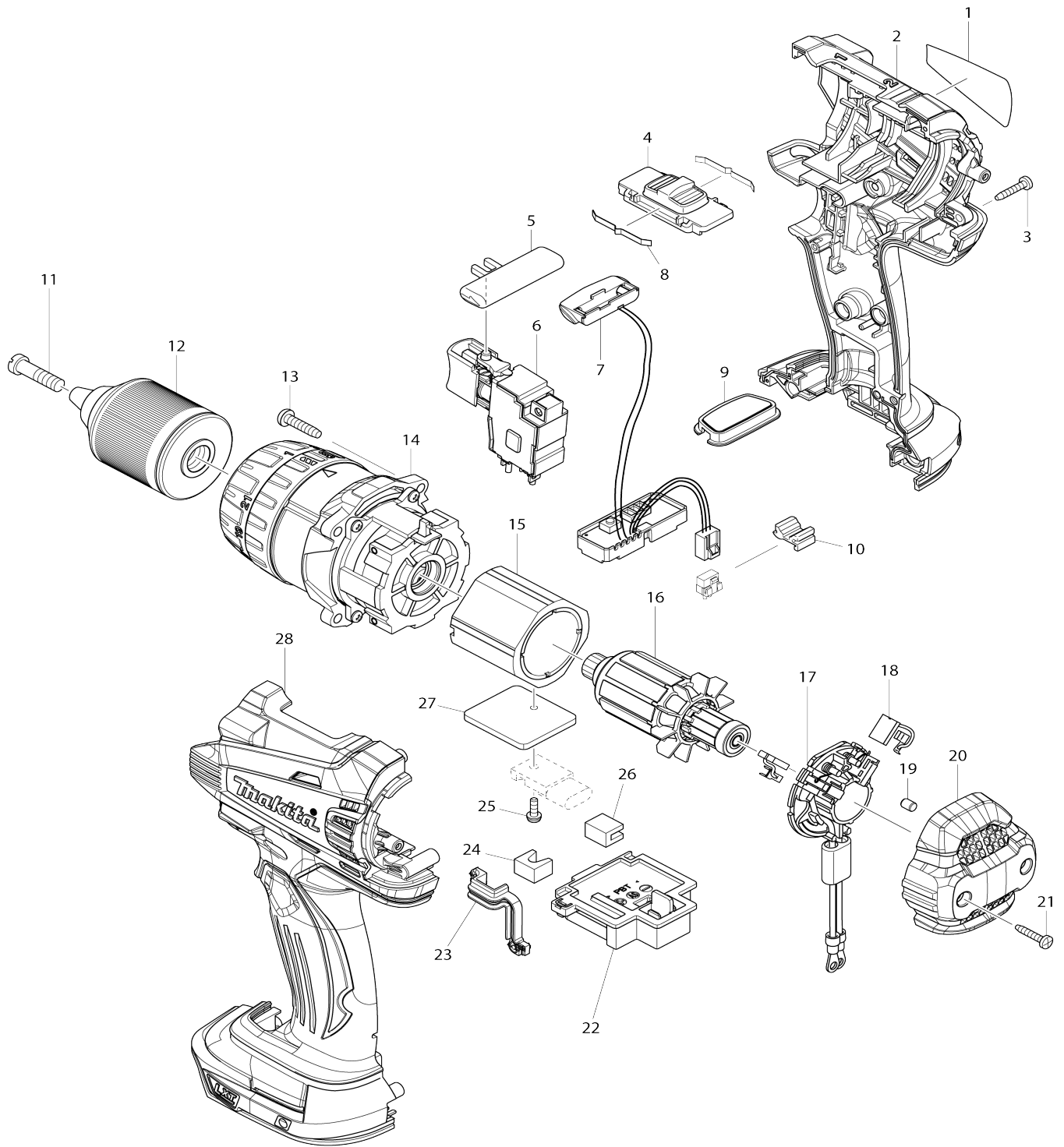


Model No.DDF458 CORDLESS DRIVER DRILL



Model No.DDF458 CORDLESS DRIVER DRILL

Item No.	Parts No.	Description	Interchangability	Q'ty	New/Old	Note1	Note2
001	814Y91-3	DDF458 NAME PLATE		1			
002	187430-3	HOUSING SET		1			
C10	263005-3	RUBBER PIN 6		2			
C20	252126-6	HEX. LOCK NUT M4-7		2			
D10		INC. 28					
003	266130-9	TAPPING SCREW BIND PT 3X16		7			
004	126100-9	SPEED CHANGE LEVER ASSEMBLY		1			
C10	233438-6	COMPRESSION SPRING 4		2			
005	419250-0	F/R CHANGE LEVER		1			
006	650682-4	SWITCH TG573FSB-3		1	*		
006-1	650724-4	SWITCH TG573FSB-3	<	1	*		
006-2	650724-4	SWITCH TG573FSB-3	O	1			
007	620138-1	LIGHT CIRCUIT		1			
008	232220-0	LEAF SPRING		2			
009	140963-9	SWITCH PLATE COMPLETE		1			
010	424476-1	CUSHION		1			
011	251468-5	- FLAT HEAD SCREW M6X22		1			
012	766015-4	KEYLESS DRILL CHUCK 13		1	*		
012-1	763248-2	KEYLESS DRILL CHUCK 13	<	1	*		
012-2	763252-1	KEYLESS DRILL CHUCK 13	O	1			
013	265995-6	TAPPING SCREW 4X18		4	*		
013-1	266326-2	TAPPING SCREW 4X18	O	4			
014	126098-0	GEAR ASSEMBLY		1			
015	638989-8	YOKE UNIT		1			
016	619301-1	ARMATURE		1	*		
016-1	619496-0	ARMATURE	<	1			
017	638991-1	BRUSH HOLDER COMPLETE		1	*		
C10	688172-7	LINE FILTER		1	*		
017-1	632K64-8	BRUSH HOLDER COMPLETE	<	1			
C10	688172-7	LINE FILTER		1			
018	194427-5	CARBON BRUSH SET CB-440		1			
019	263032-0	RUBBER PIN 4		2			
020	453394-6	REAR COVER		1			
021	266130-9	TAPPING SCREW BIND PT 3X16		2			
022	644808-8	TERMINAL		1			
023	424430-5	SEAL		1			
024	423422-1	SPONGE A		1			
025	911013-5	PAN HEAD SCREW M3X10		1			
026	423423-9	SPONGE B		1			
027	689176-2	HEAT SINK		1			
028	187430-3	HOUSING SET		1			
C10	263005-3	RUBBER PIN 6		2			
C20	252126-6	HEX. LOCK NUT M4-7		2			
D10		INC. 2					
A01	126130-0	GRIP ASSEMBLY		1	*		
C10	154935-8	GRIP 36 COMPLETE		1	*		
C20	266750-9	SQUARE BOLT M8X100		1	*		

C30	346566-9	GRIP SPRING 60		1	*		
C40	453584-1	GRIP BASE 60		1	*		
A01-1	123258-5	GRIP ASSEMBLY	<	1			
C10	154935-8	GRIP 36 COMPLETE		1			
C20	266899-5	SQUARE BOLT M8X140		1			
C30	346566-9	GRIP SPRING 60		1			
C40	455189-3	GRIP BASE 60		1			
A02	251314-2	+ SCREW M4X12		2			
A03	346317-0	HOOK		1			
A04	452947-8	BIT HOLDER		1			
A05	784637-8	+ BIT 2-45		2			
A06	***DC18RC	DC18RC FAST CHARGER		1			
A07	194204-5	BATTERY BL1830 SET		2	*		
A07-1	194204-5	BATTERY BL1830 SET	O	2	*		
A07-2	197600-6	BATTERY BL1830B SET	<	2	*		
A07-3	197600-6	BATTERY BL1830B SET	O	2			
A08	450128-8	BATTERY COVER		1			
A09	821524-1	PLASTIC CARRYING CASE		1			
C10	162302-3	LATCH		2			
C20	325809-2	SHAFT		1			
C30	451749-9	HANDLE		1			
C40	453473-0	PLASTIC CASE LID		1			
A10	802J89-2	DDF458RFE PLASTIC CASE LABEL		2	*		
A10-1	802J91-5	DDF458RFE PLASTIC CASE LABEL	<	2			
F05	195798-3	BATTERY PROTECTOR SET		1			
F07-3	197606-4	BATTERY BL1830B SET (2PIECES)	O	1			
F08-3	197267-0	BATTERY BL1840B SET	O	1			
F09-3	197265-4	BATTERY BL1840B SET	O	1			
F10-3	197273-5	BATTERY BL1840B SET(2PIECES)	O	1			
F14-2	196235-0	BATTERY BL1815N SET	O	1			
F15-1	196449-1	BATTERY BL1815N SET	O	1			
F16-2	196449-1	BATTERY BL1815N SET	O	1			
A09	821550-0	CONNECTOR PLASTIC CASE (TYP E2)		1			
C10	453974-8	LATCH		4			
A10	837679-2	INNER TRAY		1	*		
A10-1	837916-4	INNER TRAY	<	1			
A11	802J79-5	DDF458RFJ INDICATION LABEL		1			
A12	802J83-4	DDF458RFJ PLASTIC CASE LABEL		2			
A06	821550-0	CONNECTOR PLASTIC CASE (TYP E2)		1			
C10	453974-8	LATCH		4			
A07	837679-2	INNER TRAY		1	*		
A07-1	837916-4	INNER TRAY	<	1			
A08	802J80-0	DDF458ZJ INDICATION LABEL		1			
A09	802J84-2	DDF458ZJ PLASTIC CASE LABEL		2			
A07	196399-0	BATTERY BL1840 SET		2	*		
A07-1	196399-0	BATTERY BL1840 SET	O	2	*		
A07-2	197265-4	BATTERY BL1840B SET	<	2	*		
A07-3	197265-4	BATTERY BL1840B SET	O	2			
A10	802J86-8	DDF458RME PLASTIC CASE LABEL		2	*		

A10-1	802J85-0	DDF458RME PLASTIC CASE LABEL	<	2			
A11	802J81-8	DDF458RMJ INDICATION LABEL		1	*		
A11-1	806W39-7	DDF458RMJ INDICATION LABEL	<	1			
A12	802J87-6	DDF458RMJ PLASTIC CASE LABEL		2			
A11	802J82-6	DDF458RF3J INDICATION LABEL		1			
A12	802J88-4	DDF458RF3J PLASTIC CASE LABEL		2			

Please state Parts No. when your order.

Print Date 10/19/2023