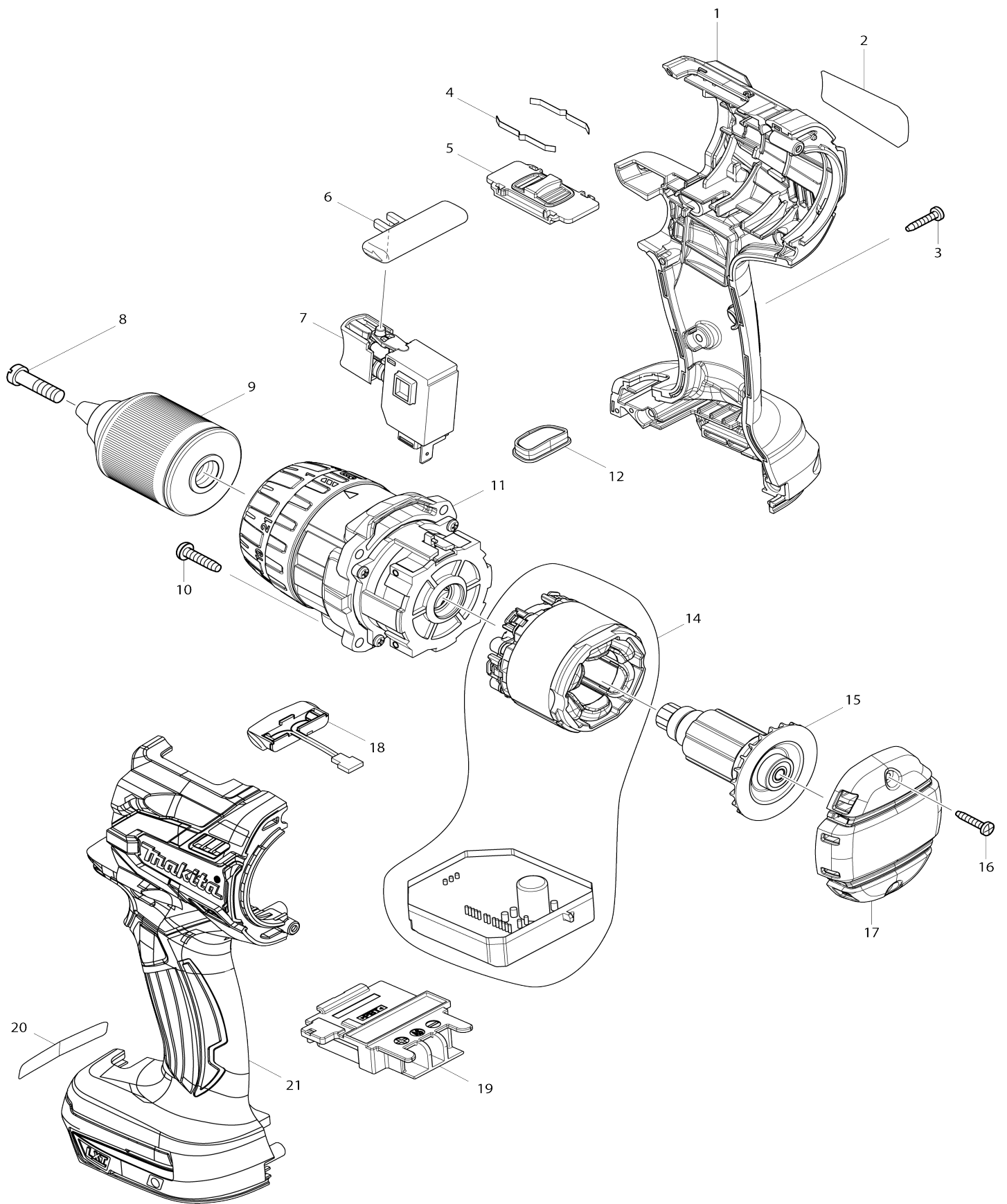


# Model No.DDF481 CORDLESS DRIVER DRILL



Model No.DDF481 CORDLESS DRIVER DRILL

Item No.	Parts No.	Description	Interchangability	Q'ty	New/Old	Note1	Note2
001	187921-4	HOUSING SET		1			
C10	263005-3	RUBBER PIN 6		2			
D10		INC. 21					
002	815556-2	DDF481 NAME PLATE		1			
003	266130-9	TAPPING SCREW BIND PT 3X16		7			
004	232220-0	LEAF SPRING		2			
005	126411-2	SPEED CHANGE LEVER ASSEMBLY		1			
C10	233438-6	COMPRESSION SPRING 4		2			
006	419250-0	F/R CHANGE LEVER		1			
007	650710-5	SWITCH C3JW-4B		1	*		
007-1	650006-4	SWITCH TGRK2-1	O	1			
008	251468-5	- FLAT HEAD SCREW M6X22		1			
009	766015-4	KEYLESS DRILL CHUCK 13		1	*		
009-1	763248-2	KEYLESS DRILL CHUCK 13	<	1	*		
009-2	763252-1	KEYLESS DRILL CHUCK 13	O	1			
010	265995-6	TAPPING SCREW 4X18		4			
011	126409-9	GEAR ASSEMBLY		1			
012	142263-3	INDICATOR PANEL COMPLETE		1			
014	629116-8	STATOR COMPLETE		1			
015	619336-2	ROTOR		1	*		
015-1	619397-2	ROTOR	O	1			
016	266130-9	TAPPING SCREW BIND PT 3X16		2			
017	455011-4	REAR COVER		1			
018	620283-2	LED CIRCUIT		1			
019	643899-6	TERMINAL		1			
021	187921-4	HOUSING SET		1			
C10	263005-3	RUBBER PIN 6		2			
D10		INC. 1					
A01	126412-0	GRIP ASSEMBLY		1			
C10	142652-2	POLE COMPLETE		1	*		
C11	140R59-4	POLE COMPLETE	<	1			
C20	142653-0	ARM R COMPLETE		1			
C30	266886-4	HEX. BOLT M8X65		1			
C40	319129-4	ARM L		1			
C50	962055-2	RETAINING RING (INT) R-15		1			
A02	251314-2	+ SCREW M4X12		2			
A03	346317-0	HOOK		1			
A04	452947-8	BIT HOLDER		1			
A05	784637-8	+/- BIT 2-45		2			
F07-3	197606-4	BATTERY BL1830B SET (2PIECES)	O	1			
F10-3	197600-6	BATTERY BL1830B SET	O	1			
F11-4	197599-5	BATTERY BL1830B SET	O	1			
F12-3	197267-0	BATTERY BL1840B SET	O	1			
F13-3	197267-0	BATTERY BL1840B SET	O	1			
F14-3	197265-4	BATTERY BL1840B SET	O	1			
F15-3	197265-4	BATTERY BL1840B SET	O	1			
F16-3	197273-5	BATTERY BL1840B SET(2PIECES)	O	1			

F17-3	197280-8	BATTERY BL1850B SET	O	1			
F18-3	197280-8	BATTERY BL1850B SET	O	1			
F19-3	197282-4	BATTERY BL1850B SET	O	1			
F20-3	197282-4	BATTERY BL1850B SET	O	1			
F23-3	197288-2	BATTERY BL1850B SET 2PIECES	O	1			
F27-1	197280-8	BATTERY BL1850B SET	O	1			
F28-1	197282-4	BATTERY BL1850B SET	O	1			
F29-1	197288-2	BATTERY BL1850B SET 2PIECES	O	1			
A06	821550-0	CONNECTOR PLASTIC CASE (TYP E2)		1			
C10	453974-8	LATCH		4			
A07	837916-4	INNER TRAY		1			
A08	804D68-0	DDF481RMJ INDICATION LABEL		1	*		
A08-1	812W82-6	DDF481RMJ INDICATION LABEL	O	1	*		
A08-2	804D68-0	DDF481RMJ INDICATION LABEL	O	1			
A09	804D69-8	DDF481RMJ PLASTIC CASE LABEL		2	*		
A09-1	812W83-4	DDF481RMJ PLASTIC CASE LABEL	X	2			
A10	450128-8	BATTERY COVER		1			
A11	196399-0	BATTERY BL1840 SET		2	*		
A11-1	196399-0	BATTERY BL1840 SET	O	2	*		
A11-2	197265-4	BATTERY BL1840B SET	<	2	*		
A11-3	197265-4	BATTERY BL1840B SET	O	2			
A12	***DC18RC	DC18RC FAST CHARGER		1			
A08	804D70-3	DDF481RTJ INDICATION LABEL		1	*		
A08-1	812W84-2	DDF481RTJ INDICATION LABEL	O	1	*		
A08-2	804D70-3	DDF481RTJ INDICATION LABEL	O	1			
A09	804D71-1	DDF481RTJ PLASTIC CASE LABEL		2	*		
A09-1	812W85-0	DDF481RTJ PLASTIC CASE LABEL	X	2			
A11	196671-0	BATTERY BL1850 SET		2	*		
A11-1	196671-0	BATTERY BL1850 SET	O	2	*		
A11-2	197280-8	BATTERY BL1850B SET	<	2	*		
A11-3	197280-8	BATTERY BL1850B SET	O	2			
A08	810D52-5	DDF481RT3J INDICATION LABEL		1	*		
A08-1	812W87-6	DDF481RT3J INDICATION LABEL	O	1	*		
A08-2	810D52-5	DDF481RT3J INDICATION LABEL	O	1			
A09	810D53-3	DDF481RT3J PLASTIC CASE LABEL		2	*		
A09-1	812W88-4	DDF481RT3J PLASTIC CASE LABEL	X	2			
A11-1	197280-8	BATTERY BL1850B SET		3	*		

Please state Parts No. when your order.

Print Date 25/10/2023