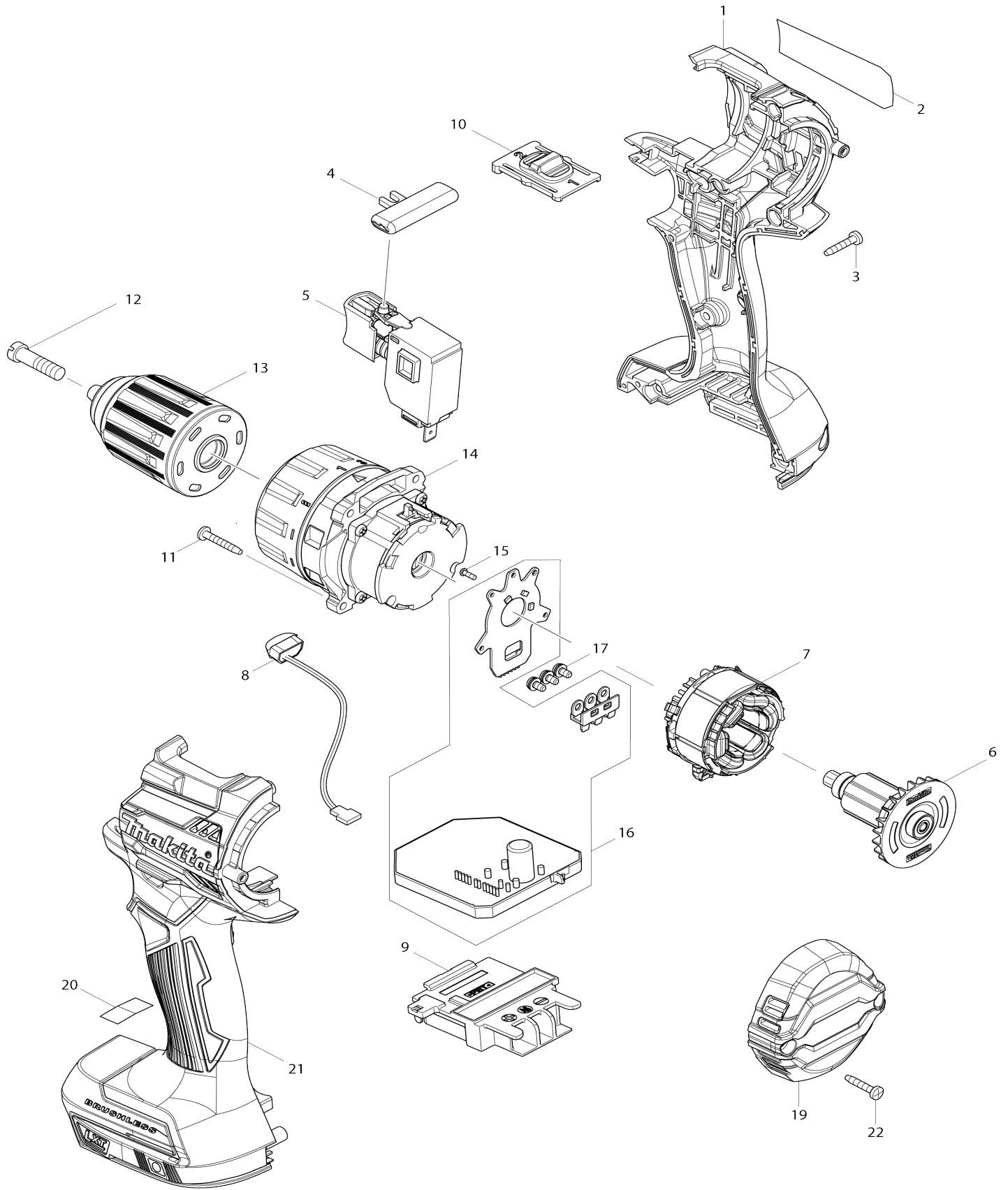


Model No.DDF484 CORDLESS DRIVER DRILL



Model No.DDF484 CORDLESS DRIVER DRILL

| Item No. | Parts No. | Description | Interchangeability | Q'ty | New/Old | Note1 | Note2 |
|----------|-----------|-----------------------------|--------------------|------|---------|-------|-------|
| 001 | 183E71-3 | HOUSING SET | | 1 | * | | |
| C10 | 263005-3 | RUBBER PIN 6 | | 2 | * | | |
| C20 | 252126-6 | HEX. LOCK NUT M4-7 | | 2 | * | | |
| D10 | | INC. 21 | | | | | |
| 001-1 | 183L79-9 | HOUSING SET | < | 1 | | | |
| C10 | 263005-3 | RUBBER PIN 6 | | 2 | | | |
| C20 | 252126-6 | HEX. LOCK NUT M4-7 | | 2 | * | | |
| C21 | 252303-0 | HEX. LOCK NUT M4-7 | O | 2 | | | |
| D10 | | INC. 21 | | | | | |
| 002 | 852M14-1 | DDF484 NAME PLATE | | 1 | | | |
| 003 | 266429-2 | TAPPING SCREW 3X16 | | 7 | * | | |
| 003-1 | 266130-9 | TAPPING SCREW BIND PT 3X16 | O | 7 | | | |
| 004 | 419041-9 | F/R CHANGE LEVER | | 1 | | | |
| 005 | 650710-5 | SWITCH C3JW-4B | | 1 | * | | |
| 005-1 | 650006-4 | SWITCH TGRK2-1 | O | 1 | | | |
| 006 | 619406-7 | ROTOR | | 1 | * | | |
| 006-1 | 619406-7 | ROTOR | O | 1 | | | |
| 007 | 629225-3 | STATOR | | 1 | | | |
| 008 | 620549-0 | LED CIRCUIT | | 1 | | | |
| 009 | 643874-2 | TERMINAL | | 1 | | | |
| 010 | 123738-1 | SPEED CHANGE LEVER ASSEMBLY | | 1 | | | |
| C10 | 233438-6 | COMPRESSION SPRING 4 | | 2 | | | |
| 011 | 251497-8 | TAPPING SCREW 3X20 | | 4 | * | | |
| 011-1 | 265D32-0 | TAPPING SCREW 3X20 | O | 4 | | | |
| 012 | 251468-5 | - FLAT HEAD SCREW M6X22 | | 1 | | | |
| 013 | 766027-7 | KEYLESS DRILL CHUCK 13 | | 1 | | | |
| 014 | 123737-3 | GEAR ASSEMBLY | | 1 | * | | |
| 014-1 | 127500-6 | GEAR ASSEMBLY | < | 1 | | | |
| 015 | 266490-9 | TAPPING SCREW PT 2X6 | | 3 | * | | |
| 015-1 | 265C47-1 | TAPPING SCREW PT 2X6 | O | 3 | | | |
| 016 | 620548-2 | CONTROLLER | | 1 | | | |
| 017 | 652069-6 | FLAT HEAD SCREW M3X6 | | 3 | | | |
| 019 | 456967-4 | REAR COVER | | 1 | | | |
| 021 | 183E71-3 | HOUSING SET | | 1 | * | | |
| C10 | 263005-3 | RUBBER PIN 6 | | 2 | * | | |
| C20 | 252126-6 | HEX. LOCK NUT M4-7 | | 2 | * | | |
| D10 | | INC. 1 | | | | | |
| 021-1 | 183L79-9 | HOUSING SET | < | 1 | | | |
| C10 | 263005-3 | RUBBER PIN 6 | | 2 | | | |
| C20 | 252126-6 | HEX. LOCK NUT M4-7 | | 2 | * | | |
| C21 | 252303-0 | HEX. LOCK NUT M4-7 | O | 2 | | | |
| D10 | | INC. 1 | | | | | |
| 022 | 266429-2 | TAPPING SCREW 3X16 | | 2 | * | | |
| 022-1 | 266130-9 | TAPPING SCREW BIND PT 3X16 | O | 2 | | | |
| A01 | 251314-2 | + SCREW M4X12 | | 1 | | | |
| A02 | 346317-0 | HOOK | | 1 | | | |
| A03 | 784637-8 | +/- BIT 2-45 | | 1 | | | |

| | | | | | | | |
|-------|-----------|--------------------------------|---|---|---|--|--|
| F05 | 191E41-8 | GRIP ASSEMBLY SET | | 1 | | | |
| A04 | 821550-0 | CONNECTOR PLASTIC CASE (TYPE2) | | 1 | | | |
| C10 | 453974-8 | LATCH | | 4 | | | |
| A05 | 450128-8 | BATTERY COVER | | 1 | | | |
| A06 | ***DC18RC | DC18RC FAST CHARGER | | 1 | | | |
| D10 | | COMPO-PARTS | | | | | |
| A07 | 197600-6 | BATTERY BL1830B SET | | 2 | * | | |
| A07-1 | 197600-6 | BATTERY BL1830B SET | O | 2 | | | |
| A08 | 837916-4 | INNER TRAY | | 1 | | | |
| A09 | 810B83-2 | DDF484RFJ INDICATION LABEL | | 1 | | | |
| A10 | 810B84-0 | DDF484RFJ PLASTIC CASE LABEL | | 2 | | | |
| A07 | 197265-4 | BATTERY BL1840B SET | | 2 | * | | |
| A07-1 | 197265-4 | BATTERY BL1840B SET | O | 2 | | | |
| A09 | 810B88-2 | DDF484RMJ INDICATION LABEL | | 1 | | | |
| A10 | 810B89-0 | DDF484RMJ PLASTIC CASE LABEL | | 2 | | | |
| A07 | 197280-8 | BATTERY BL1850B SET | | 2 | * | | |
| A07-1 | 197280-8 | BATTERY BL1850B SET | O | 2 | | | |
| A09 | 810B93-9 | DDF484RTJ INDICATION LABEL | | 1 | | | |
| A10 | 810B94-7 | DDF484RTJ PLASTIC CASE LABEL | | 2 | | | |
| A04 | 821524-1 | PLASTIC CARRYING CASE | | 1 | | | |
| C10 | 162302-3 | LATCH | | 2 | | | |
| C20 | 325809-2 | SHAFT | | 1 | | | |
| C30 | 451749-9 | HANDLE | | 1 | | | |
| C40 | 453473-0 | PLASTIC CASE LID | | 1 | | | |
| A05 | 8005M4-1 | DDF484STX5 PLASTIC CASE LABEL | | 2 | | | |
| A06 | ***DC18SD | DC18SD BATTERY CHARGER | | 1 | * | | |
| A06-1 | ***DC18SD | DC18SD BATTERY CHARGER | O | 1 | | | |
| D10 | | COMPO-PARTS | | | | | |
| A08 | 127506-4 | GRIP ASSEMBLY | | 1 | | | |
| 001-1 | 183U79-3 | HOUSING SET | | 1 | | | |
| 019 | 413F32-8 | REAR COVER | | 1 | | | |
| 021-1 | 183U79-3 | HOUSING SET | | 1 | | | |
| A07-1 | 197422-4 | BATTERY BL1860B SET | | 2 | | | |
| A09 | 8050A2-6 | DDF484GJAR INDICATION LABEL | | 1 | | | |
| A10 | 8050A3-4 | DDF484GJAR PLASTIC CASE LABEL | | 2 | | | |
| A09 | 8058M9-4 | DDF484RGJ INDICATION LABEL | | 1 | | | |
| A10 | 8058N0-9 | DDF484RGJ PLASTIC CASE LABEL | | 2 | | | |

Please state Parts No. when your order.

Print Date 10/19/2023