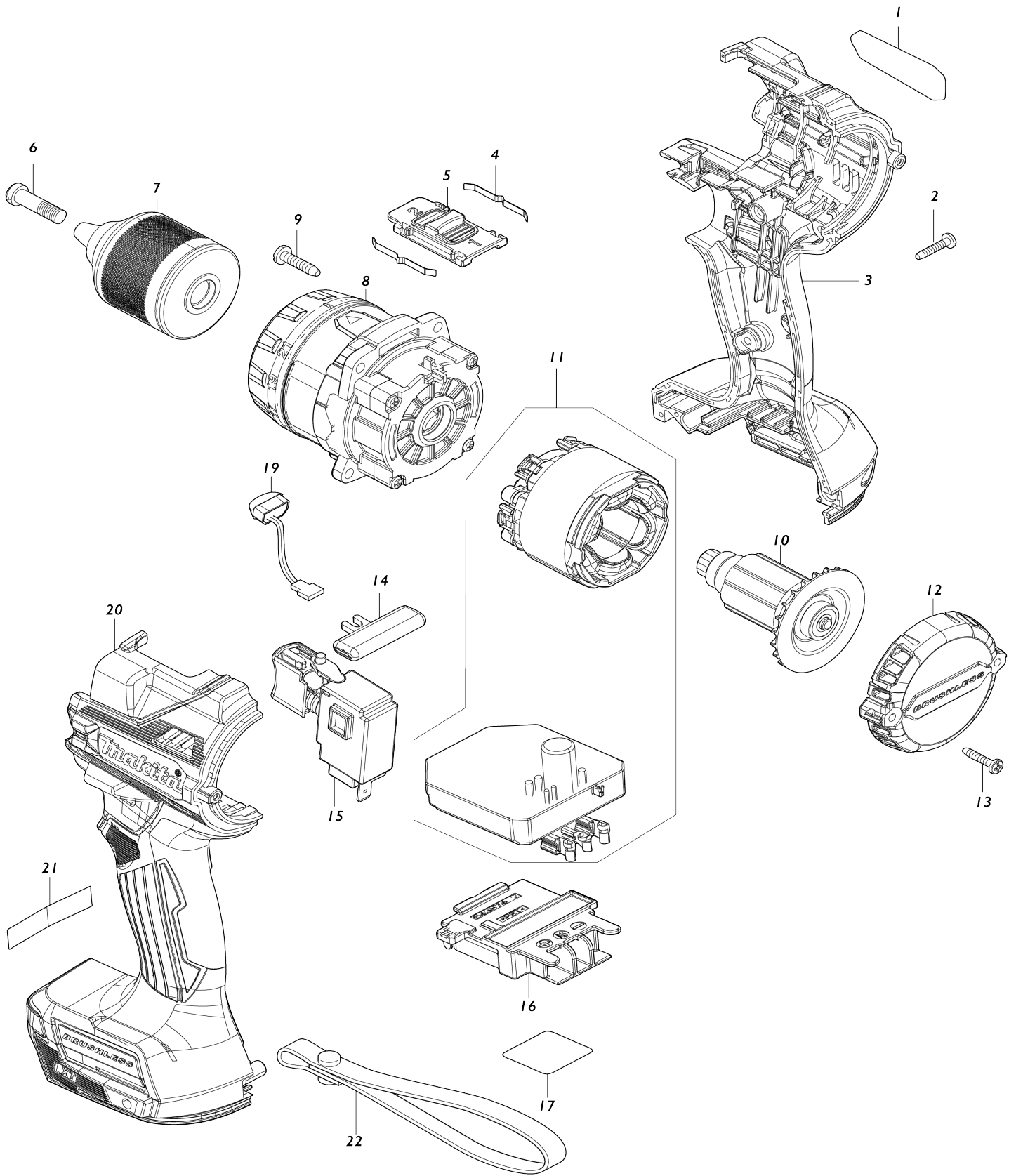


Model No.DDF486 CORDLESS HAMMER DRIVER DRILL



Model No.DDF486 CORDLESS HAMMER DRIVER DRILL

Item No.	Parts No.	Description	Interchangability	Q'ty	New/Old	Note1	Note2
001	811B51-8	DDF486 NAME PLATE		1			
002	266130-9	TAPPING SCREW BIND PT 3X16		7			
003	183R83-4	HOUSING SET		1			
C10	263005-3	RUBBER PIN 6		2			
C20	252126-6	HEX. LOCK NUT M4-7		2			
D10		INC. 20					
004	232220-0	LEAF SPRING		2			
005	127494-5	SPEED CHANGE LEVER ASSEMBLY		1			
C10	233438-6	COMPRESSION SPRING 4		2			
006	251468-5	- FLAT HEAD SCREW M6X22		1			
007	763252-1	KEYLESS DRILL CHUCK 13		1			
008	127699-7	GEAR ASSEMBLY		1	*		
008-1	122B69-7	GEAR ASSEMBLY	<	1	*		
008-2	122D49-5	GEAR ASSEMBLY	O	1			
009	266326-2	TAPPING SCREW 4X18		4	*		
009-1	265B67-9	TAPPING SCREW 4X18	O	4			
010	619656-4	ROTOR		1	*		
010-1	619656-4	ROTOR	O	1			
011	629A33-8	STATOR COMPLETE		1	*		
011-1	629B79-0	STATOR COMPLETE	O	1	*		
011-2	629C05-5	STATOR COMPLETE	<	1			
012	413405-9	REAR COVER		1			
013	266130-9	TAPPING SCREW BIND PT 3X16		2			
014	419041-9	F/R CHANGE LEVER		1			
015	651443-5	SWITCH C3JR-4B		1			
016	643874-2	TERMINAL		1			
017	811B59-2	DDF486 SERIAL NO. LABEL		1			
019	620549-0	LED CIRCUIT		1			
020	183R83-4	HOUSING SET		1			
C10	263005-3	RUBBER PIN 6		2			
C20	252126-6	HEX. LOCK NUT M4-7		2			
D10		INC. 3					
A01	127702-4	GRIP ASSEMBLY		1	*		
C10	140U91-6	POLE COMPLETE		1	*		
C20	140X19-2	ARM R COMPLETE		1	*		
C30	266886-4	HEX. BOLT M8X65		1	*		
C40	312A63-3	ARM L		1	*		
C50	962055-2	RETAINING RING (INT) R-15		1	*		
A01-1	122C02-5	GRIP ASSEMBLY	<	1	*		
C10	140U91-6	POLE COMPLETE		1	*		
C20	140X19-2	ARM R COMPLETE		1	*		
C30	266886-4	HEX. BOLT M8X65		1	*		
C40	312C73-2	ARM L		1	*		
C50	962055-2	RETAINING RING (INT) R-15		1	*		
A01-2	122F13-8	GRIP ASSEMBLY	O	1			
C10	141R99-5	POLE COMPLETE		1			
C20	140X19-2	ARM R COMPLETE		1			

C30	266886-4	HEX. BOLT M8X65		1		
C40	312C73-2	ARM L		1		
C50	962055-2	RETAINING RING (INT) R-15		1		
A02	251314-2	+ SCREW M4X12		2		
A03	346317-0	HOOK		1		
A04	452947-8	BIT HOLDER		1		
A05	784637-8	+ - BIT 2-45		2		
A06	821550-0	CONNECTOR PLASTIC CASE (TYP E2)		1		
C10	453974-8	LATCH		4		
A07	8030Y7-8	DDF486RTJ PLASTIC CASE LABEL		2		
A08	8030Y6-0	DDF486RTJ INDICATION LABEL		1		
A09	837916-4	INNER TRAY		1		
A10	450128-8	BATTERY COVER		1		
A11	***DC18RC	DC18RC FAST CHARGER		1		
D10		COMPO-PARTS				
A12	197280-8	BATTERY BL1850B SET		2		
009	265B67-9	TAPPING SCREW 4X18		4		

Please state Parts No. when your order.

Print Date 10/24/2023